

BEARINGS

mounted ball & spherical bearings, SAF units,
spherical plain bearings, deep groove ball bearings

IDC SELECT[®]

www.IDCselect.com

Bearings

IDC Select® supplies radial ball, mounted spherical, spherical plain, deep groove ball and tapered roller bearing units engineered to your specifications. With worldwide manufacturing partners, we can help decrease production costs, increase efficiencies, and get the best possible price without the pitfalls that come with purchasing bearings globally.

We will analyze applications and bearing demand patterns to help you identify the size and bearing type you need. IDC Select® radial ball, spherical and mounted bearing units are manufactured in ISO 9001 certified plants and all bearings meet or exceed ABMA standards.

Contact info@IDCselect.com for questions or with special requests.

IDC SELECT® BEARINGS

TABLE OF CONTENTS

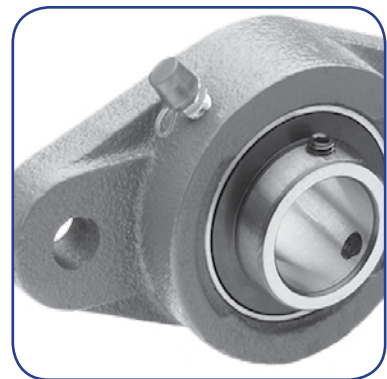
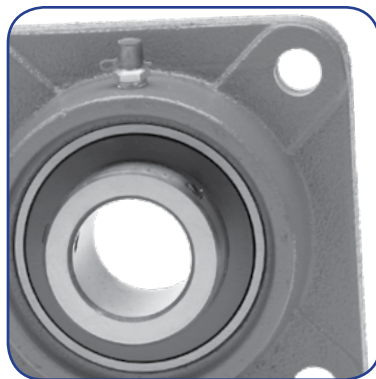
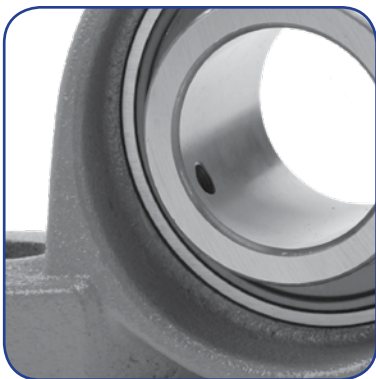
MOUNTED BALL BEARING UNITS	4	HVAC UNITS	49
PILLOW BLOCKS	9	RCSM/RCSMS – Rubber Mounted Cartridge Units – Setscrew/Eccentric Locking Collar	50
UCP – Standard Duty – Setscrew	10	RABR/RABR S – Rubber Mounted Cartridge Units – Setscrew/Eccentric Locking Collar	51
HCP – Standard Duty – Eccentric Locking Collar.....	11	Technical Information.....	52
UCPX – Medium Duty – Setscrew.....	12	MOUNTED SPHERICAL UNITS	55
UCPK – Low Center Height – Setscrew.....	13	CA-2000 2-Bolt Pillow Blocks	56
UCPA A – Tapped Base – Setscrew.....	14	CEP-2000 2-Bolt Pillow Blocks	57
SBPP/SAPP – Pressed Steel – Light Duty – Setscrew/Eccentric Locking Collar	15	CEP-2000 4-Bolt Pillow Blocks	58
FLANGES	16	CB-2000 Flange Bearings	59
UCF – Standard Duty – 4 Bolt Flange – Setscrew	17	CBR-2000 Piloted Flange Bearings	60
HCF – Standard Duty – 4 Bolt Flange – Eccentric Locking Collar.....	18	CT-2000 Takeup Block S-Normal & Heavy Duty.....	61
UCFX – Medium Duty – 4 Bolt Flange – Setscrew.....	19	2000 Series Roller Bearings	62
UCFL – Standard Duty – 2 Bolt Flange – Set Screw	20	Takeup Frames.....	63
HCFL – Standard Duty – 2 Bolt Flange – Eccentric Locking Collar.....	21	2000 Series Roller Bearings Radial Load Capacities.....	64
UCFLX – Medium Duty – 2 Bolt Flange – Setscrew.....	22	Seal Options	65
SBLF/SALF – Light Duty – 2 Bolt Flange – Setscrew/Eccentric Locking Collar	23	Bearing Unit Interchange	66
UCFC – Standard Duty – 4 Bolt Round Flange – Setscrew	24	SAF HOUSINGS	68
UCFCSX – Medium Duty – 4 Bolt Round Flange – Setscrew	25	500 Series Pillow Block Housings & Accessories.....	69
SBFCT/SAFCT – Light Duty – Ductile Iron – 3 Bolt Flange – Setscrew/Eccentric Locking Collar	26	Adapter Sleeves – SNW 00 Series Inch Bore.....	70
PFL/PF/PFT – Stamped Steel Flanges	27	N00 Series Lock Nuts	72
TAKEUP UNITS	28	W00 Series Lock Washers.....	73
UCST – Standard Duty – Takeup Unit – Wide Slot – Setscrew	29	Metric Lock Nuts & Lock Washers.....	74
UCSTX – Medium Duty – Takeup Unit – Wide Slot – Setscrew	30	SPHERICAL PLAIN BEARINGS	75
INSERTS	31	GEZ Series.....	76
UC – Standard Duty – Setscrew	32	COM Series	77
HC – Standard Duty – Eccentric Locking Collar	33	GE Series	78
UCX – Medium Duty – Setscrew Locking.....	34	GEH Series	79
SA/CSA – Light Duty – Eccentric Locking Collar.....	35	GE-C and GEH-C Series	80
SB/CSB – Light Duty – Setscrew	36	GEG Series	81
SER - Standard Duty - Cylindrical OD - Snap Ring - Set Screws.....	37	GEM Series.....	82
WASHDOWN	38	GAZ...SA Series.....	83
UCPSS – Stainless Steel Pillow Blocks	40	GAC...F Series	84
UCFSS – Stainless Steel 4 Bolt Flange Units.....	41	GX...T Series	85
UCFLSS – Stainless Steel 2 Bolt Flange Units.....	41	DEEP GROOVE BALL BEARINGS	86
UCPPL – Thermoplastic Pillow Blocks	42	6000 Series – Radial Ball Bearings – Extra Light Duty ..	89
UCPAPL A – Tapped Base Thermoplastic.....	42	6200 Series – Radial Ball Bearings – Light Duty	90
UCFLPL – 2 Bolt Thermoplastic Flange Units.....	43	6300 Series – Radial Ball Bearings – Medium Duty.....	91
UCFPL – 4 Bolt Thermoplastic Flange Units.....	43	6800 Series – Radial Ball Bearings - Medium Duty	92
SSUC – Standard Duty Setscrew Stainless Steel Ball Bearing Inserts	44	R Series – Inch Miniature Ball Bearings.....	93
SSER – Stainless Steel Cylindrical OD Insert.....	44	1600 Series – Inch Radial Ball Bearings	94
AGRICULTURAL	45	Stainless Steel – Metric Radial Ball Bearings.....	95
W200PPB – Farm Implement Ball Bearings – Triple Lip Seals – Non-relubricatable	46	SSR Series – Stainless Steel – Inch Miniature Ball Bearings.....	95
GW200PPB – Farm Implement Bearings – Triple Lip Seals – Relubricable	47	Special Ball Bearings	96
209 – Disk Harrow Bearings	48	TAPERED ROLLER BEARINGS	97
211 – Disk Harrow Bearings.....	48	INFORMATION	99
		Disclaimer and Warranty	

MOUNTED BALL BEARING UNITS

IDC Select® mounted bearings combine quality, innovation and affordability. Whether your bearing needs are light, standard or medium duty, IDC Select® offers a wide variety of options.

Our mounted units feature a cast iron housing with a solid base, a wide inner ring bearing, dual heavy-duty contact seals and steel plate slingers on both sides for dust exclusion. They also offer full self-alignment, a grease fitting for adding lubricant, and set screw units with two set screws 120° apart in the inner ring. Eccentric locking collar units provide locking for one-directional applications. Triple lip seals are available on request.

Washdown units are available in two versions. Stainless steel units have an electropolish finish and a thermoplastic (PBT) housing with a stainless steel insert.



BEARING FEATURES

IDC Select's mounted bearing units are compact in design with sealing devices that ensure long-lasting performance. Standard bearing inserts have spherical ODs enabling them to self-align in outer housings. Cylindrical OD inserts are also available. Standard housings are constructed of high quality grey iron. All IDC Select® ball bearing units have heavy-duty contact-type seals with a protective metal shroud or slinger on both sides. Long bearing life can be achieved by selecting the type of seal best for the application and operating condition. Standard units have dual seals. Triple lip seals are also available.

Shaft sizes less than 2" have clearance fit-ups. Shaft sizes that are 2" and above have light interference fit-ups.

Pillow block tolerance base to shaft:

Bore	Tolerance
½ to 1 ⁵ / ₁₆ in	± .006 in
2 to 3 ¹ / ₂ in	± .008 in

SHAFT LOCKING

Standard units utilize either setscrews or eccentric locking collars to grip the shaft. Setscrew locking units employ two knurled cup point setscrews placed 120° apart. Special heat treating of the inner ring maintains softness around the setscrew and provides secure tightening. Eccentric collar locking units provide locking for one-directional applications. Concentric split locking collars provide locking for bi-directional applications and are available on request.

GREASE FITTING

All units can be relubricated through the grease fitting provided. The outer housing grease hole mates up with the bearing insert groove, which channels grease into the bearing. Refer to appendix for grease fitting options and dimensions.

Shaft Size	Grease Fitting Thread
Up to 1 ⁷ / ₁₆ in	¼ - 28 UNF
1½ in & over	⅜ - 27 NPT

GREASE

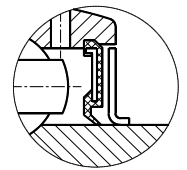
Bearings are supplied 35-40% filled with lithium based NLGI #2 grease and should be relubricated with a compatible grease. Refer to appendix for suggested greasing intervals.

TEMPERATURE LIMITS

Units are designed to operate at full rating at temperatures of -40°F to 250°F. Special lubricants should be considered for temperatures beyond this range. Refer to appendix for grease properties and other available greases.

DUAL SEALS

Dual seals are standard. A synthetic rubber oil seal is fixed in the outer ring and seals against the OD of the inner ring. In addition, a steel slinger is fixed to the inner ring and rotates with the shaft, protecting the inner seal and bearing from contaminants.

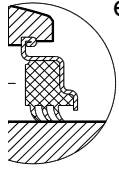


IDC SELECT® BEARINGS

MOUNTED BALL BEARING UNITS

TRIPLE LIP SEALS

These special premium seals are available to protect against contamination in severe environments. They consist of a



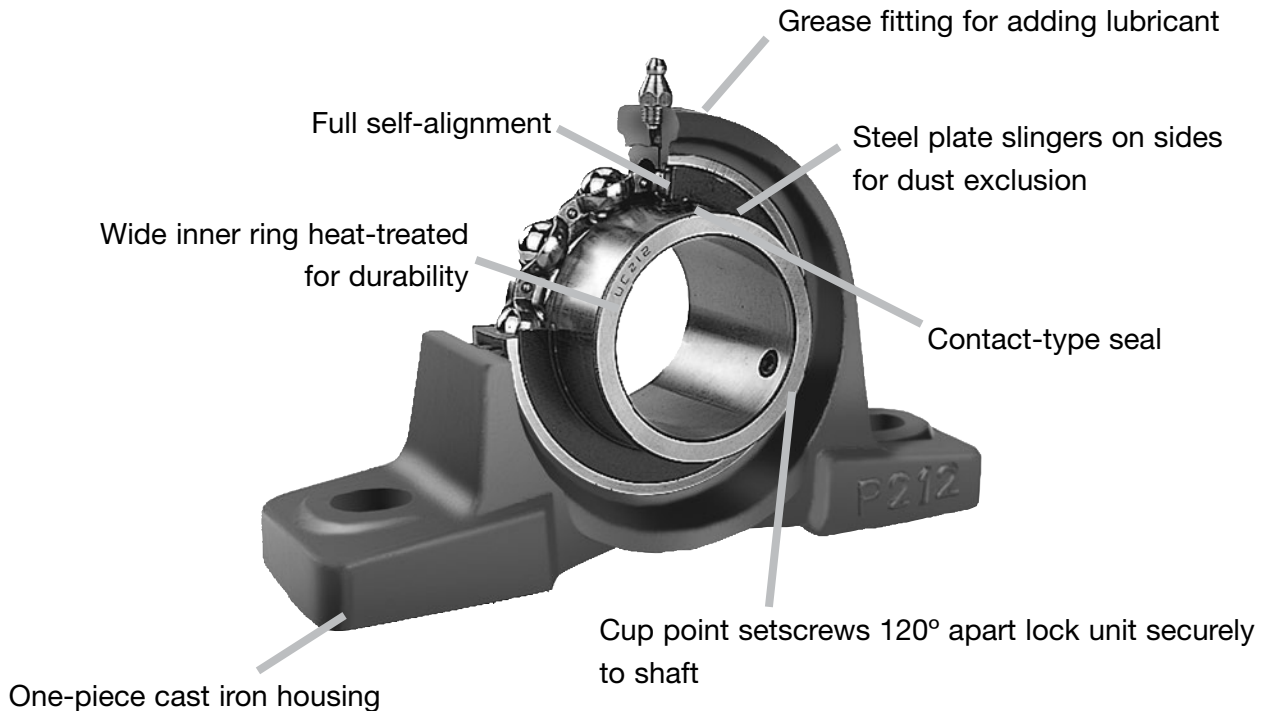
synthetic rubber seal protected with a steel shield fixed in the outer ring with three separate sealing lips wiping the inner ring OD. They are specified by adding the suffix "R3" to the model number.

SOLID BASES

Standard pillow block units have solid bases.

PACKAGING

Mounted bearings and inserts are typically sealed in plastic bags and packaged in separate cartons.



IDC SELECT® BEARINGS

MOUNTED BALL BEARING UNITS

PILLOW BLOCKS

UCP, UCPX, HCP, UCPK

These are the most extensively used bearing units. UCP and UCPK are fixed to the shafts with setscrews in the inner ring. HCP is fixed to the shafts with eccentric locking collars. UCPK has a low base design.



TAPPED BASE PILLOW BLOCKS

UCPA

Compact pillow blocks for limited space applications. Mounting is done with threaded bolts into the base.



FOUR-BOLT SQUARE FLANGE UNITS

UCF, UCFX, HCF

Units are bolted to the sides of equipment with four bolts. Setscrews and eccentric locking collars have the same mounting methods as housings with the “P” suffix.



ROUND FLANGE UNITS

UCFC, UCFC SX

Four-bolt units are installed where concentricity is required.



TWO-BOLT FLANGE UNITS

UCFL, UCFLX, HCFL

This two-bolt unit saves space and weight.



TWO AND THREE-BOLT FLANGE UNITS

SALF, SBLF

LF-type two-bolt flange units are used with SA and SB inserts only.



SAFCT, SBFCT (ductile iron)

Three-bolt flange units are used with SA and SB inserts only.



TAKEUP UNITS

UCST, UCSTX

Use where the center of the main shaft requires free alignment.



PRESSED HOUSING PILLOW BLOCKS

SAPP, SBPP

This lightweight unit consists of two pressed steel plates and is used in equipment where the rotating speed is low or the machine has a light load. Inserts for pressed housings are usually SA or SB series.



DISK HARROW UNITS

Flange disc units incorporate two heavy gauge pressed steel plates riveted to form a housing.

They are fitted with two rubber o-rings surrounding a triple lip sealed bearing. These units are supplied with four mounting holes (square and round) and can be relubricated.



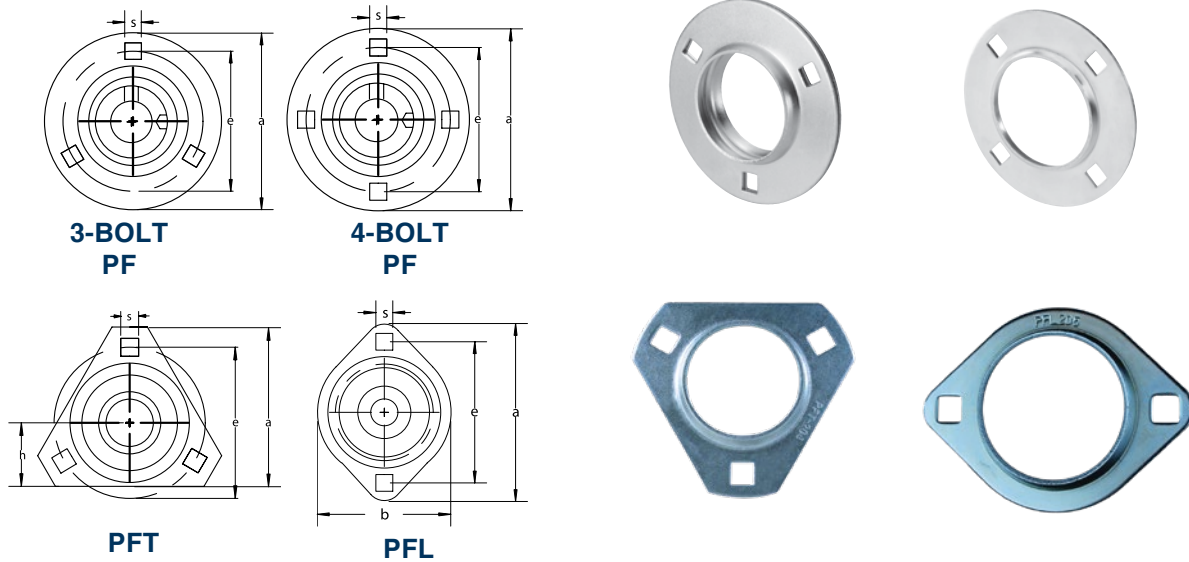
IDC SELECT® BEARINGS

MOUNTED BALL BEARING UNITS

MOUNTED BALL BEARING UNITS

STAMPED STEEL FLANGES

- PFL Two Bolt Flanges
- PF Three & Four Bolt Round Flanges
- PFT Three Bolt Triangular Flanges



PART NUMBER NOMENCLATURE

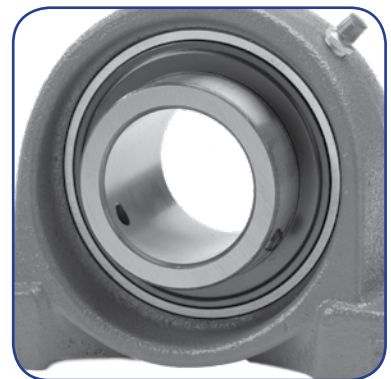
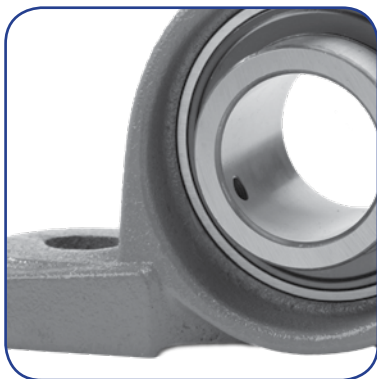
Each IDC Select® mounted ball bearing part number is a unique combination indicating the bearing's type, series, housing and shaft size.

<p>Insert Bearing</p> <p>HC Eccentric locking collar UC Setscrew SA Light duty eccentric SB Light duty setscrew CSA SA with cylindrical OD CSB SB with cylindrical OD ER Cylindrical OD with snap ring and groove</p>	<p>Basic Series</p> <p>201-215 X05-X15 305-314</p>	<p>Additional suffix indicates optional seal lubrication, or a special design feature of the insert.</p> <p>R3: Triple lip seal BO: Black oxide SS: Stainless steel K: Free spinning T: Concentric collar</p>			
UC	P	205	-	16	R3
<p>Housing</p> <p>P: Standard pillow block PPL: Thermoplastic pillow block FL: Oval two-bolt flange PSS: Stainless steel pillow block F: Square four-bolt flange FLPL: Thermoplastic two-bolt flange T: Take-up unit FLSS: Stainless steel two-bolt flange LF: Light duty oval two-bolt flange FPL: Thermoplastic four-bolt flange PA: Tapped base unit FSS: Stainless steel four-bolt flange</p>				<p>Shaft size inch dimensions: In 16ths of an inch. Metric: as stated, e.g. 20mm</p>	

PILLOW BLOCKS

IDC Select® mounted units feature a cast iron housing with a solid base, a wide inner ring bearing, dual heavy-duty contact seals and steel plate slingers on both sides for dust exclusion. They also offer full self-alignment, a grease fitting for adding lubricant, and set screw units with two set screws 120° apart in the inner ring. Eccentric locking collar units provide locking for one-directional applications. Triple lip seals are available on request.

Washdown units are available in two versions. Stainless steel units have an electropolish finish and a thermoplastic (PBT) housing with a stainless steel insert.

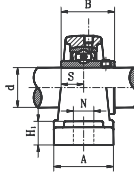
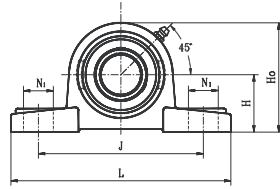


IDC SELECT® BEARINGS

PILLOW BLOCKS

UCP STANDARD DUTY SETSCREW LOCKING TYPE

- Cast iron housing - solid base
- Wide inner ring bearing



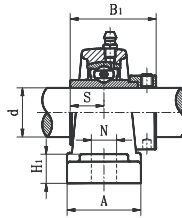
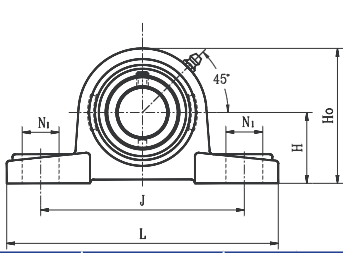
PILLOW BLOCKS

Part No.	Shaft Dia. d		Dimension (in) (mm)										Bolt Size (in)	Bearing No.	Housing No.	Weight (lb)			
	(in)	(mm)	H	L	J	A	N	N ₁	H ₁	H ₀	S	B							
IDC UCP201-12MMS		12															UC201S		
IDC UCP201-8S	1/2																201-8S		
IDC UCP202-15MMS		15	1-3/16	4-15/16	3-3/4	1-1/4	15/32	5/8	1/2	2-1/4	7/16	1-5/64		3/8			202S	P203S	2.91
IDC UCP202-10S	5/8		30.2	125.4	95	32	12	16	13	57	11.1	27.4					202-10S		
IDC UCP203-17MMS		17															203S		
IDC UCP203-11S	11/16																203-11S		
IDC UCP201-12MM		12															UC201-12MM		
IDC UCP201-8	1/2																201-8		
IDC UCP202-15MM		15	1-3/16	5	3-3/4	1-1/2	1/2	3/4	9/16	2-7/16	1/2	1-7/32		3/8			202-15MM	P203	1.52
IDC UCP202-10	5/8		30.2	127	95	38	13	19	14	62	12.7	31					202-10		
IDC UCP203-17MM		17															203-17MM		
IDC UCP203-11	11/16																203-11		
IDC UCP204-12	3/4		1-5/16	5	3-3/4	1-1/2	1/2	3/4	9/16	2-9/16	1/2	1-7/32		3/8			UC204-12	P204	1.46
IDC UCP204-20MM		20	33.3	127	95	38	13	19	14	65	12.7	31					204-20MM		
IDC UCP205-14	7/8																UC205-14		
IDC UCP205-15	15/16		1-7/16	5-1/2	4-1/8	1-1/2	1/2	3/4	19/32	2-25/32	9/16	1-11/32		3/8			205-15	P205	1.87
IDC UCP205-25MM		25	36.5	140	105	38	13	19	15	71	14.3	34.1					205-25MM		
IDC UCP205-16	1																205-16		
IDC UCP206-18	1-1/8																UC206-18		
IDC UCP206-30MM		30	1-11/16	6-19/64	4-3/4	1-47/64	43/64	25/32	21/32	3-5/16	5/8	1-1/2		1/2			206-30MM	P206	2.79
IDC UCP206-19	1-3/16		42.9	160	121	44	17	20	17	84	15.9	38.1					206-19		
IDC UCP206-20	1-1/4																206-20		
IDC UCP207-20	1-1/4																UC207-20		
IDC UCP207-21	1-5/16																207-21		
IDC UCP207-22	1-3/8		1-7/8	6-9/16	5	1-7/8	43/64	25/32	45/64	3-21/32	11/16	1-11/16		1/2			207-22	P207	3.62
IDC UCP207-35MM		35	47.6	167	127	48	17	20	18	93	17.5	42.9					207-35MM		
IDC UCP207-23	1-7/16																207-23		
IDC UCP208-24	1-1/2																UC208-24		
IDC UCP208-25	1-9/16		1-15/16	7-1/4	5-13/32	2-1/8	43/64	25/32	45/64	3-15/16	3/4	1-15/16		1/2			208-25	P208	4.25
IDC UCP208-40MM		40	49.2	184	137	54	17	20	18	100	19	49.2					208-40MM		
IDC UCP209-26	1-5/8																UC209-26		
IDC UCP209-27	1-11/16		2-1/8	7-15/32	5-3/4	2-1/8	43/64	25/32	25/32	4-11/64	3/4	1-15/16		1/2			209-27	P209	4.94
IDC UCP209-28	1-3/4		54	190	146	54	17	20	20	106	19	49.2					209-28		
IDC UCP209-45MM		45															209-45MM		
IDC UCP210-30	1-7/8																UC210-30		
IDC UCP210-31	1-15/16		2-1/4	8-1/8	6-1/4	2-3/8	25/32	29/32	53/64	4-29/64	3/4	2-1/32		5/8			210-31	P210	6.13
IDC UCP210-32	2		57.2	206	159	60	20	23	21	113	19	51.6					210-32		
IDC UCP210-50MM		50															210-50MM		
IDC UCP211-32	2																UC211-32		
IDC UCP211-34	2-1/8		2-1/2	8-5/8	6-47/64	2-3/8	25/32	29/32	29/32	4-59/64	7/8	2-3/16		5/8			211-34	P211	7.63
IDC UCP211-55MM		55	63.5	219	171	60	20	23	23	125	22.2	55.6					211-55MM		
IDC UCP211-35	2-3/16																211-35		
IDC UCP212-36	2-1/4																UC212-36		
IDC UCP212-60MM		60	2-3/4	9-1/2	7-1/4	2-3/4	25/32	29/32	63/64	5-7/16	1	2-9/16		5/8			212-60MM	P212	11.09
IDC UCP212-38	2-3/8		69.9	241	184	70	20	23	25	138	25.4	65.1					212-38		
IDC UCP212-39	2-7/16																212-39		
IDC UCP213-40	2-1/2		3	10-7/16	8	2-3/4	63/64	1-3/32	1-1/16	5-29/32	1	2-9/16		3/4			UC213-40	P213	11.55
IDC UCP213-65MM		65	76.2	265	203	70	25	28	27	150	25.4	65.1					213-65MM		
IDC UCP214-44	2-3/4		3-1/8	10-15/32	8-17/64	2-27/32	63/64	1-3/32	1-1/16	6-9/64	1-3/16	2-15/16		3/4			UC214-44	P214	13.88
IDC UCP214-70MM		70	79.4	266	210	72	25	28	27	156	30.2	74.6					214-70MM		
IDC UCP215-75MM		75	3-1/4	10-53/64	8-35/64	2-29/32	63/64	1-3/32	1-3/32	6-3/8	1-5/16	3-1/16		3/4			UC215-75MM	P215	15.82
IDC UCP215-48	3		82.6	275	217	74	25	28	28	162	33.3	77.8					215-48		
IDC UCP216-80MM	3-5/32		3-1/2	11-1/2	9-1/8	3-1/16	63/64	1-3/32	1-3/16	6-27/32	1-5/16	3-1/4		3/4			UC216-80MM	P216	17.86
IDC UCP216-52		80	88.9	292	232	78	25	28	30	174	33.3	82.6							
IDC UCP217-52	3-1/4		3-3/4	12-13/64	9-23/32	3-17/64	63/64	1-3/32	1-1/4	7-9/32	1-11/32	3-3/8		3/4			UC217-52	P217	22.11
IDC UCP217-85MM		85	95.3	310	247	83	25	28	32	185	34.1	85.7					217-85MM		
IDC UCP218-56	3-1/2		4	12-7/8	10-5/16	3-15/32	1-1/16	1-3/16	1-19/64	7-51/64	1-9/16	3-25/32		7/8			UC218-56	P218	26.61
IDC UCP218-90MM		90	101.6	327	262	88	27	30	33	198	39.7	96					218-90MM		

Dual seal standard. Triple lip seal (R3 suffix) optional.

IDC SELECT® BEARINGS PILLOW BLOCKS

HCP STANDARD DUTY ECCENTRIC LOCKING COLLAR TYPE



- Cast iron housing - solid base
- Wide inner ring bearing

Part No.	Shaft Dia. d		Dimension (in) (mm)										Bolt Size (in)	Bearing No.	Housing No.	Weight (lb)		
	(in)	(mm)	H	L	J	A	N	N _i	H _i	H _o	S	B _i						
IDC HCP201S-12MM		12																
IDC HCP201-8S	1/2																	
IDC HCP202S-15MM		15	1-3/16	4-59/64	3-5/8	1-17/64	15/32	5/8	33/64	2-1/4	35/64	1-15/32	3/8	201S				
IDC HCP202-10S	5/8		30.2	125	92	32	12	16	13	57	13.9	37.3		202S	P203S	1.5		
IDC HCP203S-17MM		17												202-10S				
IDC HCP203-11S	11/16													203S				
IDC HCP201-12MM		12												203-11S				
IDC HCP201-8	1/2													HC201				
IDC HCP202-15MM		15	1-3/16	5	3-25/32	1-29/64	33/64	3/4	35/64	2-25/64	43/64	1-23/32	3/8	201-8				
IDC HCP202-10	5/8		30.2	127	96	37	13	19	14	60.7	17	43.5		202	P203	1.58		
IDC HCP203-17MM		17												202-10				
IDC HCP203-11	11/16													203				
IDC HCP204-12	3/4		1-5/16	5	3-47/64	1-1/2	33/64	3/4	35/64	2-9/16	43/64	1-23/32	3/8	203-11				
IDC HCP204-20MM		20	33.34	127	95	38	13	19	14	65	17.1	43.7		HC204-12	P204	1.61		
IDC HCP205-14	7/8													204-20MM				
IDC HCP205-15	15/16		1-7/16	5-33/64	4-9/64	1-1/2	33/64	3/4	19/32	2-51/64	11/16	1-3/4	3/8	HC205-14				
IDC HCP205-25MM		25	36.51	140	105	38	13	19	15	71	17.5	44.4		205-15	P205	2.03		
IDC HCP205-16	1													205-25MM				
IDC HCP206-18	1-1/8													205-16				
IDC HCP206-30MM		30	1-11/16	6-19/64	4-49/64	1-47/64	43/64	25/32	43/64	3-5/16	23/32	1-29/32	1/2	HC206-18				
IDC HCP206-19	1-3/16		42.86	160	121	44	17	20	17	84	18.3	48.4		206-30MM	P206	3.06		
IDC HCP206-20	1-1/4													206-19				
IDC HCP207-20	1-1/4													206-20				
IDC HCP207-21	1-5/16													HC207-20				
IDC HCP207-22	1-3/8		1-7/8	6-37/64	5	1-57/64	43/64	25/32	45/64	3-21/32	47/64	2-1/64	1/2	207-21				
IDC HCP207-35MM		35	47.63	167	127	48	17	20	18	93	18.8	51.1		207-22	P207	3.90		
IDC HCP207-23	1-7/16													207-35MM				
IDC HCP208-24	1-1/2													208-23				
IDC HCP208-25	1-9/16		1-15/16	7-1/4	5-25/64	2-1/8	43/64	25/32	45/64	3-15/16	27/32	2-7/32	1/2	HC208-24				
IDC HCP208-40MM		40	49.21	184	137	54	17	20	18	100	21.4	56.3		208-25	P208	4.61		
IDC HCP209-26	1-5/8													208-40MM				
IDC HCP209-27	1-11/16		2-1/8	7-31/64	5-3/4	2-1/8	43/64	25/32	25/32	4-11/64	27/32	2-7/32	1/2	HC209-26				
IDC HCP209-28	1-3/4		53.98	190	146	54	17	20	20	106	21.4	56.3		209-27	P209	5.34		
IDC HCP209-45MM		45												209-28				
IDC HCP210-30	1-7/8													209-45MM				
IDC HCP210-31	1-15/16		2-1/4	8-7/64	6-17/64	2-23/64	25/32	29/32	53/64	4-29/64	31/32	2-15/32	5/8	HC210-30				
IDC HCP210-50MM		50	57.15	206	159	60	20	23	21	113	24.6	62.7		210-31	P210	6.48		
IDC HCP211-32	2													210-50MM				
IDC HCP211-34	2-1/8		2-1/2	8-5/8	6-47/64	2-23/64	25/32	29/32	29/32	4-59/64	1-3/32	2-13/16	5/8	HC211-32				
IDC HCP211-55MM		55	63.5	219	171	60	20	23	23	125	27.8	71.4		211-34	P211	8.20		
IDC HCP211-35	2-3/16													211-55MM				
IDC HCP212-36	2-1/4													211-3S				
IDC HCP212-38	2-3/8		2-3/4	9-31/64	7-1/4	2-3/4	25/32	29/32	63/64	5-7/16	1-7/32	3-1/16	5/8	HC212-36				
IDC HCP212-60MM		60	69.85	241	184	70	20	23	25	138	31	77.8		212-38	P212	11.90		
IDC HCP212-39	2-7/16													212-60MM				
IDC HCP213-40	2-1/2		3	10-7/16	7-63/64	2-3/4	63/64	1-7/64	1-1/16	5-29/32	1-11/32	3-3/8	3/4	212-39				
IDC HCP213-65MM		65	76.2	265	203	70	25	28	27	150	34.1	85.7		HC213-40	P213	12.81		
IDC HCP214-44	2-3/4		3-1/8	10-15/32	8-17/64	2-53/64	63/64	1-7/64	1-1/16	6-9/64	1-11/32	3-3/8	3/4	213-65MM				
IDC HCP214-70MM		70	79.38	266	210	72	25	28	27	156	34.1	85.7		HC214-44	P214	14.79		
IDC HCP215-48	3		3-1/4	10-53/64	8-35/64	2-29/32	63/64	1-7/64	1-7/64	6-3/8	1-15/32	3-5/8	3/4	214-70MM				
IDC HCP215-75MM		75	82.55	275	217	74	25	28	28	162	37.3	92.1		215-48	P215	17.17		
IDC HCP216		80	3-1/2	11-1/2	9-9/64	3-5/64	63/64	1-3/16	1-3/16	6-27/32	1-15/32	3-3/4	3/4	215-75MM				
IDC HCP217-52	3-1/4		3-3/4	12-13/64	9-23/32	3-17/64	63/64	1-3/16	1-17/64	7-21/64	59/64	2-7/8	3/4	HC216	P216	18.29		
IDC HCP217-85MM		85	95.2	310	247	83	25	30	32	186	23.4	73.2		HC217	P217	24.5		
IDC HCP218-56	3-1/2		4	12-53/64	10-5/16	3-15/32	1-1/16	1-3/16	1-19/64	7-51/64	31/32	2-55/64	7/8	HC218-56				
IDC HCP218-90MM		90	101.6	326	262	88	27	30	33	198	24.5	72.5		HC218	P218	29		

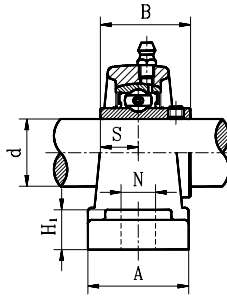
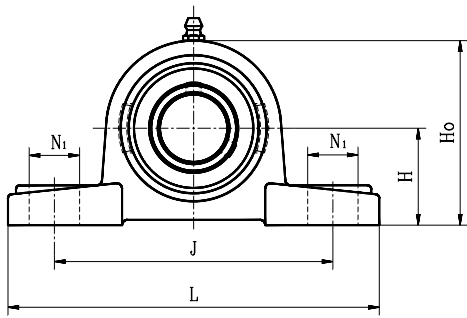
Dual seal standard. Triple lip seal (R3 suffix) optional.

PILLOW BLOCKS

IDC SELECT® BEARINGS

PILLOW BLOCKS

UCPX MEDIUM DUTY SETSCREW LOCKING TYPE

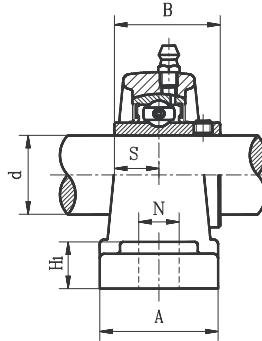
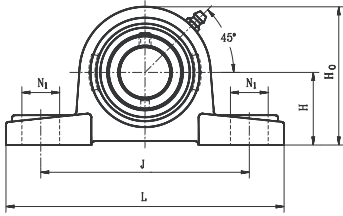


- Cast iron housing - solid base
- Wide inner ring bearing

PILLOW BLOCKS

Part No.	Shaft Dia. d		Dimension (in) (mm)										Bolt Size (in)	Bearing No.	Housing No.	Weight (lb)
	(in)	(mm)	H	L	J	A	N	N ₁	H ₁	H _o	S	B				
IDC UCPX05-25MM		25	1-3/4	6-17/64	4-11/16	2-1/64	43/64	25/32	45/64	3-11/32	5/8	1-1/2	1/2	UCX05-25MM 05-16	PX05	3.31
IDC UCPX05-16	1		44.45	159	119	51	17	20	18	85	15.9	38.1				
IDC UCPX06-18	1-1/8												1/2	UCX06-18 06-19 06-30MM 06-20	PX06	4.41
IDC UCPX06-19	1-3/16		1-7/8	6-57/64	5	2-1/4	43/64	25/32	25/32	3-21/32	11/16	1-11/16				
IDC UCPX06-30MM		30	47.63	175	127	57	17	20	20	93	17.5	42.9	1/2	UCX07-20 07-22 07-35MM 07-23	PX07	5.73
IDC UCPX06-20	1-1/4															
IDC UCPX07-20	1-1/4												1/2	UCX08-24 08-40MM	PX08	7.28
IDC UCPX07-22	1-3/8		2-1/8	7-63/64	5-43/64	2-1/4	43/64	25/32	53/64	4-9/64	3/4	1-15/16				
IDC UCPX07-35MM		35	53.98	203	144	57	17	20	21	105	19	49.2	1/2	UCX09-26 09-27 09-28 09-45MM	PX09	7.28
IDC UCPX07-23	1-7/16															
IDC UCPX08-24	1-1/2		2-5/16	8-47/64	6-9/64	2-41/64	25/32	29/32	1-1/32	4-3/8	3/4	1-15/16	5/8	UCX10-30 10-31 10-50MM 10-32	PX10	9.48
IDC UCPX08-40MM		40	58.74	222	156	67	20	23	26	111	19	49.2				
IDC UCPX09-26	1-5/8												5/8	UCX11-34 11-35 11-55MM 11-36	PX11	12.57
IDC UCPX09-27	1-11/16		2-5/16	8-47/64	6-9/64	2-41/64	25/32	29/32	1-1/32	4-9/16	3/4	2-1/32				
IDC UCPX09-28	1-3/4		58.74	222	156	67	20	23	26	116	19	51.6	3/4	UCX12-38 12-39 12-60MM UCX13-40 13-65MM	PX12	16.09
IDC UCPX09-45MM		45														
IDC UCPX10-30	1-7/8												5/8	UCX13-40 13-65MM	PX13	16.76
IDC UCPX10-31	1-15/16		2-1/2	9-31/64	6-47/64	2-7/8	25/32	29/32	1-1/16	4-61/64	7/8	2-3/16				
IDC UCPX10-50MM		50	63.5	241	171	73	20	23	27	126	22.2	55.6	3/4	UCX14-43 14-44 14-70MM	PX14	21.83
IDC UCPX10-32	2															
IDC UCPX11-34	2-1/8												3/4	UCX15-47 15-48 15-75MM	PX15	24.25
IDC UCPX11-35	2-3/16		2-3/4	10-15/64	7-1/4	3-7/64	63/64	1-3/32	1-3/16	5-25/64	1	2-9/16				
IDC UCPX11-55MM		55	69.85	260	184	79	25	28	30	137	25.4	65.1	3/4	UCX12-38 12-39 12-60MM	PX12	16.09
IDC UCPX11-36	2-1/4															
IDC UCPX12-38	2-3/8		3	11-17/64	7-63/64	3-17/64	63/64	1-3/32	1-19/64	5-15/16	1	2-9/16	3/4	UCX13-40 13-65MM	PX13	16.76
IDC UCPX12-39	2-7/16		76.2	286	203	83	25	28	33	151	25.4	65.1				
IDC UCPX12-60MM		60											3/4	UCX14-43 14-44 14-70MM	PX14	21.83
IDC UCPX13-40	2-1/2		3	11-17/64	7-63/64	3-17/64	63/64	1-3/32	1-19/64	6-1/16	1-3/16	2-15/16				
IDC UCPX13-65MM		65	76.2	286	203	83	25	28	33	154	30.2	74.6	7/8	UCX15-47 15-48 15-75MM	PX15	24.25
IDC UCPX14-43	2-11/16		3-1/2	12-63/64	9-1/64	3-1/2	1-1/16	1-3/16	1-3/8	6-11/16	1-5/16	3-1/16				
IDC UCPX14-44	2-3/4		88.9	330	229	89	27	30	35	170	33.3	77.8	7/8	UCX15-47 15-48 15-75MM	PX15	24.25
IDC UCPX14-70MM		70														
IDC UCPX15-47	2-15/16		3-1/2	12-63/64	9-1/64	3-1/2	1-1/16	1-3/16	1-3/8	6-57/64	1-5/16	3-1/4	7/8	UCX15-47 15-48 15-75MM	PX15	24.25
IDC UCPX15-48	3		88.9	330	229	89	27	30	35	175	33.3	82.6				
IDC UCPX15-75MM		75														

UCPK STANDARD DUTY SETSCREW TYPE, LOW CENTER HEIGHT



- Cast iron housing - solid base
- Wide inner ring bearing

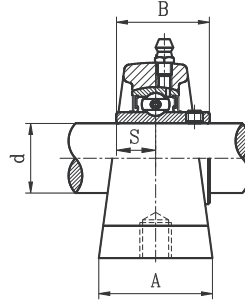
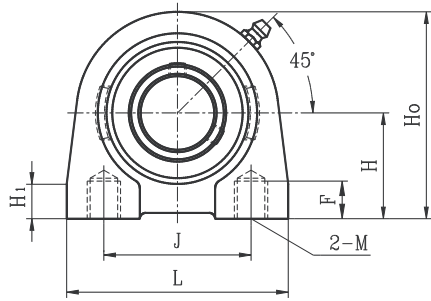
Part No.	Shaft Dia. d		Dimension (in) (mm)										Bolt Size (in)	Bearing No.	Housing No.	Weight (lb)	
	(in)	(mm)	H	L	J	A	N	N ₁	H ₁	H ₀	S	B					
IDC UCPK201S		12													UC201		
IDC UCPK201-8S	1/2														201-8S		
IDC UCPK202S		15	1-1/16	4-49/64	3-5/8	1-3/8	7/16	35/64	33/64	2-1/8	29/64	1-5/64	3/8		202S	PK203	1.32
IDC UCPK202-10S	5/8		27	121	92	35	11	14	13	54	11.5	27.4			202-10S		
IDC UCPK203S		17													203S		
IDC UCPK203-11S	11/16														203-11S		
IDC UCPK201-8	1/2														UC201-8		
IDC UCPK201-12MM		12													201-12MM		
IDC UCPK202-15MM		15													202-15MM		
IDC UCPK202-10	5/8		1-1/4	5	3-55/64	1-1/2	7/16	35/64	35/64	2-31/64	1/2	1-7/32	3/8		202-10	PK204	1.543
IDC UCPK203-17MM		17	31.75	127	98	38	11	14	14	63	12.7	31			203-17MM		
IDC UCPK203-11	11/16														203-11		
IDC UCPK204-12	3/4														204-12		
IDC UCPK204-20MM		20													204-20MM		
IDC UCPK205-14	7/8														UC205-14		
IDC UCPK205-15	15/16		1-5/16	5-33/64	4-9/64	1-1/2	7/16	9/16	19/32	2-43/64	9/16	1-11/32	3/8		205-15	PK205	1.96
IDC UCPK205-25MM		25	33.34	140	105	38	11	14	15	68	14.3	34.1			205-25MM		
IDC UCPK205-16	1														205-16		
IDC UCPK206-18	1-1/8														UC206-18		
IDC UCPK206-19	1-3/16		1-9/16	6-19/64	4-49/64	1-47/64	9/16	3/4	43/64	3-5/32	5/8	1-1/2	7/16		206-19	PK206	2.87
IDC UCPK206-30MM		30	39.69	160	121	44	14	19	17	80	15.9	38.1			206-30MM		
IDC UCPK206-20	1-1/4														206-20		
IDC UCPK207-20	1-1/4														UC207-20		
IDC UCPK207-21	1-5/16		1-13/16	6-37/64	5	1-57/64	9/16	3/4	45/64	3-37/64	11/16	1-11/16	7/16		207-21	PK207	3.92
IDC UCPK207-35MM		35	46.04	167	127	48	14	19	18	91	17.5	42.9			207-35MM		
IDC UCPK207-22	1-3/8														207-22		
IDC UCPK207-23	1-7/16														207-23		
IDC UCPK208-24	1-1/2		1-15/16	7-1/8	5-33/64	2-3/64	9/16	3/4	45/64	3-15/16	3/4	1-15/16	7/16		UC208-24		
IDC UCPK208-25	1-9/16		49.21	181	140	52	14	19	18	100	19	49.2			208-25	PK209	4.59
IDC UCPK208-40MM		40													208-40MM		
IDC UCPK209-26	1-5/8														UC209-26		
IDC UCPK209-27	1-11/16		2-1/16	7-7/16	5-3/4	2-1/8	9/16	3/4	25/32	4-3/32	3/4	1-15/16	7/16		209-27	PK209	5.36
IDC UCPK209-45MM		45	52.39	189	146	54	14	19	20	104	19	49.2			209-45MM		
IDC UCPK209-28	1-3/4														209-28		
IDC UCPK210-30	1-7/8		2-3/16	8	6-17/64	2-1/4	9/16	3/4	53/64	4-13/32	3/4	2-1/32	7/16		UC210-30		
IDC UCPK210-31	1-15/16		55.56	203	159	57	14	19	21	112	19	51.6			210-31	PK210	6.48
IDC UCPK210-50MM		50													210-50MM		
IDC UCPK211-32	2														UC211-32		
IDC UCPK211-34	2-1/8		2-1/4	9-9/64	7-1/8	2-23/64	45/64	15/16	29/32	4-7/8	7/8	2-3/16	1/2		211-34	PK211	8.47
IDC UCPK211-55MM		55	57.15	232	181	60	18	24	23	124	22.2	55.6			211-55MM		
IDC UCPK211-35	2-3/16														211-35		
IDC UCPK212-36	2-1/4														UC212-36		
IDC UCPK212-38	2-3/8		2-11/16	9-31/64	7-33/64	2-33/64	45/64	15/16	63/64	5-23/64	1	2-9/16	1/2		212-38	PK212	11.46
IDC UCPK212-60MM		60	68.26	241	191	64	18	24	25	136	25.4	65.1			212-60MM		
IDC UCPK212-39	2-7/16														212-39		
IDC UCPK213-40	2-1/2		2-11/16	9-49/64	7-41/64	2-3/4	45/64	1-9/64	1-1/16	5-9/16	1	2-9/16	1/2		UC213-40		
IDC UCPK213-65MM		65	68.26	248	194	70	18	29	27	141	25.4	65.1			213-65MM	PK213	11.27

Dual seal standard. Triple lip seal (R3 suffix) optional.

IDC SELECT® BEARINGS

PILLOW BLOCKS

UCPA A STANDARD DUTY SETSCREW LOCKING TYPE



- Follows USA/domestic dimensions
- Cast iron housing
- Wide inner ring bearing

PILLOW BLOCKS

Part No.	Shaft Dia. d		Dimension (in) (mm)										Bearing No.	Housing No.	Weight (lb)				
	(in)	(mm)	H	L	J	A	H ₀	H ₁	S	B	F	M							
IDC UCPA201-8A	1/2																UC201-8		
IDC UCPA202-10A	5/8																202-10		
IDC UCPA201A-12MM		12															201-12MM		
IDC UCPA202A-15MM		15	1-5/16	2-9/16	2	1-17/64	2-33/64	37/64	1/2	1-7/32	19/32						202-15MM	PA204A	1.39
IDC UCPA203A-17MM		17	33.34	65	50.8	32	64	14.5	12.7	31	15					203-17MM			
IDC UCPA203-11A	11/16																203-11		
IDC UCPA204A-20MM		20															204-20MM		
IDC UCPA204-12A	3/4																204-12		
IDC UCPA205-14A	7/8																UC205-14		
IDC UCPA205-15A	15/16		1-7/16	2-3/4	2	1-27/64	2-3/4	33/64	9/16	1-11/32	19/32						205-15	PA205A	1.54
IDC UCPA205A-25MM		25	36.51	70	50.8	36	70	13	14.3	34.1	15					205-25MM			
IDC UCPA205-16A	1																205-16		
IDC UCPA206-17A	1-1/16																UC206-17		
IDC UCPA206-18A	1-1/8																206-18		
IDC UCPA206A-30MM		30	1-11/16	3-55/64	3	1-37/64	3-15/64	5/8	5/8	1-1/2	5/8						206-30MM	PA206A	2.54
IDC UCPA206-19A	1-3/16		42.9	98	76.2	40	82	16	15.9	38.1	15.9						206-19		
IDC UCPA206-20A	1-1/4																206-20		
IDC UCPA207-20A	1-1/4																UC207-20		
IDC UCPA207-21A	1-5/16																207-21		
IDC UCPA207A-35MM		35	1-7/8	4-1/16	3-1/4	1-49/64	3-21/32	3/4	11/16	1-11/16	11/16						207-35MM	PA207A	3.17
IDC UCPA207-22A	1-3/8		47.6	103	82.6	45	93	19	17.5	42.9	17.5						207-22		
IDC UCPA207-23A	1-7/16																207-23		
IDC UCPA208-24A	1-1/2																UC208-24		
IDC UCPA208-25A	1-9/16		1-15/16	4-9/16	3-1/2	1-57/64	3-57/64	3/4	3/4	1-15/16	3/4						208-25	PA208A	4.19
IDC UCPA208A-40MM		40	49.2	116	88.9	48	99	19	19	49.2	19						208-40MM		
IDC UCPA209-26A	1-5/8																UC209-26		
IDC UCPA209-27A	1-11/16		2-1/8	4-23/32	3-3/4	1-57/64	4-7/32	3/4	3/4	1-15/16	3/4						209-27	PA209A	4.45
IDC UCPA209A-45MM		45	53.9	120	95.3	48	107	19	19	49.2	19						209-45MM		
IDC UCPA209-28A	1-3/4																209-28		
IDC UCPA210-30A	1-7/8																UC210-30		
IDC UCPA210-31A	1-15/16		2-1/4	5-5/16	4	2-1/8	4-17/32	55/64	3/4	2-1/32	3/4						210-31	PA210A	5.09
IDC UCPA210A-50MM		50	57.2	135	101.6	54	115	22	19	51.6	19						210-50MM		
IDC UCPA210-32A	2																210-32		

Dual seal standard. Triple lip seal (R3 suffix) optional.

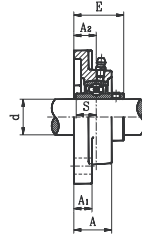
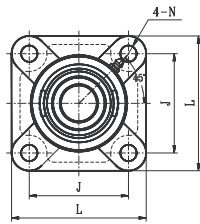
FLANGES

IDC Select's line of mounted bearings combines quality, innovation and affordability to give you the advantage you need. Whether your bearing needs are light, standard or medium duty, IDC Select® offers a wide variety of choices for your specific requirements.

IDC Select® mounted units feature a cast iron housing with a solid base, a wide inner ring bearing, dual heavy-duty contact seals and steel plate slingers on both sides for dust exclusion. They also have full self-alignment, a grease fitting for adding lubricant, and setscrew units which have two setscrews 120° apart in the inner ring. Eccentric locking collar units provide locking for one-directional applications. Triple lip seals are available on request.



UCF STANDARD DUTY SETSCREW LOCKING TYPE



- Cast iron housing
- Wide inner ring bearing

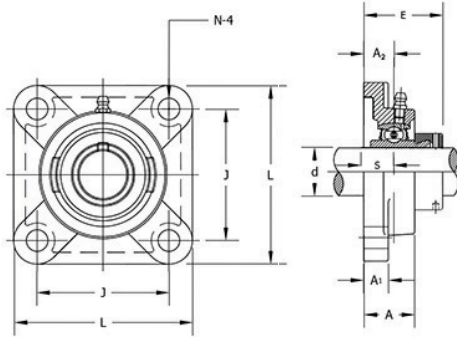
Part No.	Shaft Dia. d		Dimension (in) (mm)								Bolt Size (in)	Bearing No.	Housing No.	Weight (lb)	
	(in)	(mm)	L	J	A ₂	A ₁	A	E	N	S					
IDC UCF201S	1/2	12											UC201S		
IDC UCF201-8S													201-8S		
IDC UCF202S	5/8	15	2-63/64	2-1/8	19/32	7/16	31/32	1-7/32	7/16	7/16	3/8		202S	F203	1.14
IDC UCF202-10S			76	54	15	11	24.6	31	11	11.2			202-10S		
IDC UCF203S		17											203S		
IDC UCF203-11S	11/16												203-11S		
IDC UCF201-8	1/2												UC201-8		
IDC UCF201-12MM		12											201-12MM		
IDC UCS202-15MM		15											202-15MM		
IDC UCS202-10	5/8		3-3/8	2-33/64	19/32	15/32	1	1-5/16	15/32	1/2	3/8		202-10	F204	1.32
IDC UCF203-17MM		17	86	64	15	12	25.5	33.3	12	12.7			203-17MM		
IDC UCF203-11	11/16												203-11		
IDC UCF204-20MM		20											204-20MM		
IDC UCF204-12	3/4												204-12		
IDC UCF205-14	7/8												UC205-14		
IDC UCF205-15	15/16		3-3/4	2-3/4	5/8	35/64	1-1/16	1-13/32	15/32	9/16	3/8		205-15	F205	1.83
IDC UCF205-25MM		25	95	70	16	14	27	35.8	12	14.3			205-25MM		
IDC UCF205-16	1												205-16		
IDC UCF206-18	1-1/8												UC206-18		
IDC UCF206-19	1-3/16		4-1/4	3-17/64	45/64	35/64	1-7/32	1-37/64	15/32	5/8	3/8		206-19	F206	2.51
IDC UCF206-30MM		30	108	83	18	14	31	40.2	12	15.9			206-30MM		
IDC UCF206-20	1-1/4												206-20		
IDC UCF207-20	1-1/4												UC207-20		
IDC UCF207-21	1-5/16												207-21		
IDC UCF207-22	1-3/8		4-39/64	3-5/8	3/4	5/8	1-11/32	1-3/4	35/64	11/16	7/16		207-22	F207	3.35
IDC UCF207-35MM		35	117	92	19	16	34	44.4	14	17.5			207-35MM		
IDC UCF207-23	1-7/16												207-23		
IDC UCF208-24	1-1/2												UC208-24		
IDC UCF208-25	1-9/16		5-1/8	4-1/64	53/64	5/8	1-27/64	2-1/64	5/8	3/4	1/2		208-25	F208	4.14
IDC UCF208-40MM		40	130	102	21	16	36	51.2	16	19			208-40MM		
IDC UCF209-26	1-5/8												UC209-26		
IDC UCF209-27	1-11/16		5-25/64	4-9/64	55/64	45/64	1-1/2	2-1/16	5/8	3/4	1/2		209-27	F209	4.96
IDC UCF209-28	1-3/4		137	105	22	18	38	52.2	16	19			209-28		
IDC UCF209-45MM		45											209-45MM		
IDC UCF210-30	1-7/8												UC210-30		
IDC UCF210-31	1-15/16		5-5/8	4-3/8	55/64	45/64	1-37/64	2-5/32	5/8	3/4	1/2		210-31	F210	5.54
IDC UCF210-50MM		50	143	111	22	18	40	54.6	16	19			210-50MM		
IDC UCF211-32	2												UC211-32		
IDC UCF211-34	2-1/8		6-3/8	5-1/8	63/64	25/32	1-11/16	2-19/64	3/4	7/8	5/8		211-34	F211	7.63
IDC UCF211-55MM		55	162	130	25	20	43	58.4	19	22.2			211-55MM		
IDC UCF211-35	2-3/16												211-35		
IDC UCF212-36	2-1/4												UC212-36		
IDC UCF212-38	2-3/8		6-57/64	5-5/8	1-9/64	25/32	1-57/64	2-45/64	3/4	1	5/8		212-38	F212	9.72
IDC UCF212-60MM		60	175	143	29	20	48	68.7	19	25.4			212-60MM		
IDC UCF212-39	2-7/16												212-39		
IDC UCF213-40	2-1/2		7-23/64	5-55/64	1-3/16	55/64	1-31/32	2-3/4	3/4	1	5/8		UC213-40	F213	11.2
IDC UCF213-65MM		65	187	149	30	22	50	69.7	19	25.4			213-65MM		
IDC UCF214-44	2-3/4		7-19/32	5-63/64	1-7/32	55/64	2-1/8	2-31/32	3/4	1-3/16	5/8		UC214-44	F214	12.92
IDC UCF214-70MM		70	193	152	31	22	54	75.4	19	30.2			214-70MM		
IDC UCF215-47	2-15/16												UC215-47		
IDC UCF215-48	3		7-7/8	6-17/64	1-11/32	55/64	2-13/64	3-3/32	3/4	1-5/16	5/8		215-48	F215	15.3
IDC UCF215-75MM		75	200	159	34	22	56	78.5	19	33.3			215-75MM		
IDC UCF216-80MM		80	8-3/16	6-1/2	1-11/32	55/64	2-9/32	3-9/32	29/32	1-5/16	3/4		UC216-80MM	F216	16.53
			208	165	34	22	58	83.3	23	33.3					
IDC UCF217-52	3-1/4		8-21/23	6-57/64	1-27/64	15/16	2-31/64	3-29/64	29/32	1-11/32	3/4		UC217-52	F217	21.78
IDC UCF217-85MM		85	220	175	36	24	63	87.6	23	34.1			217-85MM		
IDC UCF218-56	3-1/2		9-1/4	7-23/64	1-37/64	15/16	2-43/64	3-51/64	29/32	1-9/16	3/4		UC218-56	F218	26.83
IDC UCF218-90MM		90	235	187	40	24	68	96.3	23	39.7			218-90MM		

Dual seal standard. Triple lip seal (R3 suffix) optional.

IDC SELECT® BEARINGS

FLANGES

HCF STANDARD DUTY ECCENTRIC LOCKING COLLAR TYPE



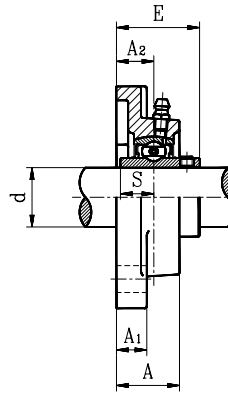
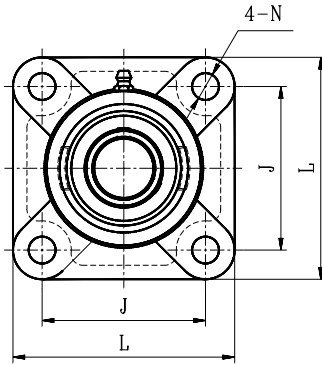
- Cast iron housing
- Wide inner ring bearing



Part No.	Shaft Dia. d		Dimension (in) (mm)								Bolt Size (in)	Bearing No.	Housing No.	Weight (lb)
	(in)	(mm)	L	J	A ₂	A ₁	A	E	N	S				
IDC HCFU201S-12MM		12										HC201		
IDC HCFU201-8S	1/2	15	2-63/64	2-1/8	19/32	7/16	31/32	1-33/64	29/64	35/64	3/8	201-8S	FU203	1.12
IDC HCFU202-15MM		15	76	54	15	11	24.5	38.4	11.5	13.9		202S		
IDC HCFU202-10S	5/8											20S-10S		
IDC HCFU201-12MM		12										HC201		
IDC HCFU201-8	1/2	15	3-25/64	2-1/2	3/4	19/32	1-5/32	1-51/64	15/32	43/64	3/8	201-8	FU204	1.70
IDC HCFU202		15	86	63.5	19	15	29.5	45.6	12	17.1		202		
IDC HCFU202-10	5/8											202-10		
IDC HCFU203-17MM		17										HC203-17MM		
IDC HCFU203-11	11/16											203-11	FU204	1.54
IDC HCFU204-12	3/4		3-25/64	2-1/2	3/4	19/32	1-5/32	1-51/64	15/32	43/64	3/8	204-12		
IDC HCFU203-17MM		17	86	63.5	19	15	29.5	45.6	12	17.1		203-17MM		
IDC HCFU204-20MM		20										204-20MM		
IDC HCFU205-14	7/8											HC205-14		
IDC HCFU205-15	15/16		3-21/32	2-3/4	3/4	19/32	1-3/16	1-13/16	15/32	11/16	3/8	205-15	FU205	1.79
IDC HCFU205-25MM		25	93	70	19	15	30	45.9	12	17.5		205-25MM		
IDC HCFU205-16	1											205-16		
IDC HCFU206-18	1-1/8											HC206-18		
IDC HCFU206-30MM		30	4-11/64	3-1/4	25/32	5/8	1-9/32	1-31/32	15/32	23/32	3/8	206-30MM	FU206	2.56
IDC HCFU206-19	1-3/16		106	82.5	20	16	32.5	50.1	12	18.3		206-19		
IDC HCFU206-20	1-1/4											206-20		
IDC HCFU207-20	1-1/4											HC207-20		
IDC HCFU207-21	1-5/16											207-21	FU207	3.31
IDC HCFU207-35MM		35	4-9/16	3-5/8	53/64	43/64	1-3/8	2-3/32	35/64	47/64	7/16	207-35MM		
IDC HCFU207-22	1-3/8		116	92	21	17	35	53.3	14	18.8		207-22		
IDC HCFU207-23	1-7/16											207-23		
IDC HCFU208-24	1-1/2		5-5/64	4	15/16	43/64	1-17/32	2-5/16	35/64	27/32	7/16	HC208-24	FU208	4.30
IDC HCFU208-25	1-9/16		129	101.5	24	17	39	58.9	14	21.4		208-25		
IDC HCFU208-40MM		40										208-40MM		
IDC HCFU209-26	1-5/8											HC209-26		
IDC HCFU209-27	1-11/16		5-5/16	4-9/64	15/16	45/64	1-37/64	2-5/16	5/8	27/32	1/2	209-27	FU209	5.00
IDC HCFU209-45MM		45	135	105	24	18	40	58.9	16	21.4		209-45MM		
IDC HCFU209-28	1-3/4											209-28		
IDC HCFU210-30	1-7/8											HC2 10-30	FU210	5.97
IDC HCFU210-31	1-15/16		5-5/8	4-3/8	1-7/64	25/32	1-49/64	2-39/64	45/64	31/32	5/8	210-31		
IDC HCFU210-50MM		50	143	111	28	20	45	66.1	18	24.6		210-50MM		
IDC HCFU211-32	2											HC211-32		
IDC HCFU211-34	2-1/8		6-3/8	5-1/8	1-7/32	53/64	1-59/64	2-15/16	45/64	1-3/32	5/8	211-34	FU211	8.16
IDC HCFU211-55MM		55	162	130	31	21	49	74.6	18	27.8		211-55MM		
IDC HCFU211-35	2-3/16											211-35		
IDC HCFU212-36	2-1/4											HC212-36		
IDC HCFU212-38	2-3/8		6-57/64	5-5/8	1-11/32	55/64	2-7/64	3-3/16	45/64	1-7/32	5/8	212-38	FU212	10.12
IDC HCFU212-60MM		60	175	143	34	22	53.5	80.8	18	31		212-60MM		
IDC HCFU212-39	2-7/16											212-39		
IDC HCFU213-40	2-1/2		7-1/4	5-55/64	1-1/2	55/64	2-9/32	3-17/32	45/64	1-11/32	5/8	HC213-40	FU213	13.21
IDC HCFU213-65MM		65	184	149	38	22	58	89.6	18	34.1		213-65MM		
IDC HCFU214-44	2-3/4		7-13/32	5-63/64	1-1/2	29/32	2-21/64	3-17/32	45/64	1-11/32	5/8	HC214-44	FU214	14.09
IDC HCFU214-70MM		70	188	152	38	23	59	89.6	18	34.1		214-70MM		
IDC HCFU215-48	3		7-7/8	6-17/64	1-39/64	15/16	2-7/16	3-49/64	45/64	1-15/32	5/8	HC215-48	FU215	16.14
IDC HCFU215-75MM		75	200	159	41	24	62	95.8	18	37.3		215-75MM		
IDC HCFU216-80MM		80	8-3/16	6-1/2	1-21/32	63/64	2-31/64	3-15/16	55/64	1-15/32	3/4	HC216-80MM	HC216	15.91
			208	165	42	25	63	99.9	22	37.3				

Dual seal standard. Triple lip seal (R3 suffix) optional.

UCFX MEDIUM DUTY SETSCREW LOCKING TYPE



- Cast iron housing
- Wide inner ring bearing

Part No.	Shaft Dia. d		Dimension (in) (mm)								Bolt Size (in)	Bearing No.	Housing No.	Weight (lb)
	(in)	(mm)	L	J	A ₂	A ₁	A	E	N	S				
IDC UCFX05-25MM		25	4-1/4	3-17/64	45/64	33/64	1-3/16	1-37/64	15/32	5/8	3/8	UCX05-25MM 05-16	F206	2.20
IDC UCFX05-16	1		108	83	18	13	30	40.2	12	15.9				
IDC UCFX06-18	1-1/8										1/2	UCX06-18 06-19	F207	3.75
IDC UCFX06-19	1-3/16		4-39/64	3-5/8	3/4	35/64	1-11/32	1-3/4	5/8	11/16				
IDC UCFX06-30MM		30	117	92	19	14	34	44.4	16	17.5	1/2	06-30MM 06-20	F207	3.75
IDC UCFX06-20	1-1/4													
IDC UCFX07-20	1-1/4										1/2	UCX07-20 07-22	F208	4.63
IDC UCFX07-22	1-3/8		5-1/8	4-1/64	53/64	35/64	1-1/2	2-1/64	5/8	3/4				
IDC UCFX07-23	1-7/16		130	102	21	14	38	51.2	16	19	1/2	07-23 07-35MM	F208	4.63
IDC UCFX07-35MM		35												
IDC UCFX08-24	1-1/2		5-25/64	4-9/64	55/64	35/64	1-37/64	2-1/16	3/4	3/4	5/8	UCX08-24 08-40MM	F209	5.29
IDC UCFX08-40MM		40	137	105	22	14	40	52.2	19	19				
IDC UCFX09-26	1-5/8										5/8	UCX09-26 09-27	F210	5.51
IDC UCFX09-27	1-11/16		5-5/8	4-3/8	29/32	35/64	1-37/64	2-3/16	3/4	3/4				
IDC UCFX09-45MM		45	143	111	23	14	40	55.6	19	19	5/8	09-45MM 09-28	F210	5.51
IDC UCFX09-28	1-3/4													
IDC UCFX10-30	1-7/8										5/8	UCX10-30 10-31	F211	8.60
IDC UCFX10-31	1-15/16		6-3/8	5-1/8	1-1/32	25/32	1-47/64	2-11/32	3/4	7/8				
IDC UCFX10-50MM		50	162	130	26	20	44	59.4	19	22.2	5/8	10-50MM 10-32	F211	8.60
IDC UCFX10-32	2													
IDC UCFX11-34	2-1/8										5/8	UCX11-34 11-35	F212	10.80
IDC UCFX11-35	2-3/16		6-57/64	5-5/8	1-9/64	25/32	1-59/64	2-45/64	3/4	1				
IDC UCFX11-55MM		55	175	143	29	20	49	68.7	19	25.4	5/8	11-55MM 11-36	F212	10.80
IDC UCFX11-36	2-1/4													
IDC UCFX12-38	2-3/8										5/8	UCX12-38 12-39	F213	11.46
IDC UCFX12-39	2-7/16		7-23/64	5-55/64	1-11/32	53/64	2-21/64	2-29/32	3/4	1				
IDC UCFX12-60MM		60	187	149	34	21	59	73.7	19	25.4	5/8	12-60MM UCX13-40	F213	11.46
IDC UCFX13-40	2-1/2		7-23/64	5-55/64	1-11/32	53/64	2-21/64	3-3/32	3/4	1-3/16				
IDC UCFX13-65MM		65	187	149	34	21	59	78.4	19	30.2	5/8	13-65MM FX13	FX13	11.68
IDC UCFX14-43	2-11/16													
IDC UCFX14-44	2-3/4		7-3/4	5-63/64	1-29/64	15/16	2-23/64	3-13/64	29/32	1-5/16	3/4	14-44 14-70MM	FX14	16.09
IDC UCFX14-70MM		70	197	152	37	24	60	81.5	23	33.3				
IDC UCFX15-47	2-15/16										3/4	UCX15-47 15-48	FX15	17.86
IDC UCFX 15-48	3		7-3/4	5-63/64	1-37/64	15/16	2-43/64	3-33/64	29/32	1-5/16				
IDC UCFX15-75MM		75	197	152	40	24	68	89.3	23	33.3	3/4	15-75MM FX15	FX15	17.86
IDC UCFX15-75MM		75												

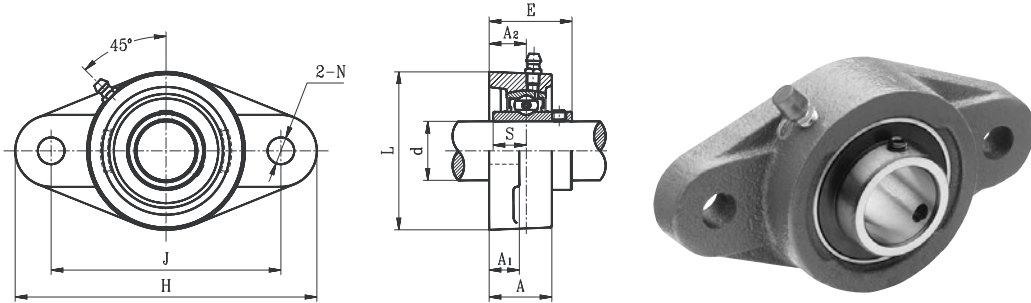
Dual seal standard. Triple lip seal (R3 suffix) optional.

IDC SELECT® BEARINGS

FLANGES

UCFL STANDARD DUTY SET SCREW LOCKING TYPE

- Cast iron housing
- Wide inner ring bearing



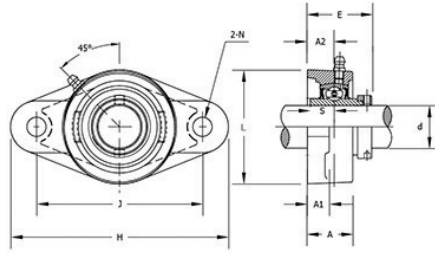
Part No.	Shaft Dia. d		Dimension (in) (mm)								Bolt Size (in)	Bearing No.	Housing No.	Weight (lb)		
	(in)	(mm)	L	J	A ₂	A ₁	A	E	N	S						
IDC UCFL201-12MMS		12														
IDC UCFL201-8S	1/2													UC201S		
IDC UCFL202-15MMS		15	2-1/4	2-63/64	19/32	7/16	1	1-7/32	7/16	7/16				201-8S		
IDC UCFL202-10S	5/8		57	76	15	11	25.5	31	11	11		3/8		202S	FL203	0.99
IDC UCFL203-17MS		17												203S		
IDC UCFL203-11S	11/16													203-11S		
IDC UCFL201-8	1/2													UC201-8		
IDC UCFL202-10	5/8													202-10		
IDC UCFL201-12MM		12												201-12MM		
IDC UCFL202-15MM		15	2-23/64	3-35/64	19/32	7/16	1	1-5/16	15/32	1/2				202-15MM	FL204	0.99
IDC UCFL203-11	11/16		60	90	15	11	25.5	33.3	12	12.7		3/8		203-11		
IDC UCFL203-17MM		17												203-17MM		
IDC UCFL204-20MM		20												204-20MM		
IDC UCFL204-12	3/4													204-12		
IDC UCFL205-13	13/16													UC205-13		
IDC UCFL205-14	7/8													205-14		
IDC UCFL205-25MM	31/32	25	2-43/64	3-57/64	5/8	33/64	1-1/16	1-13/32	29/64	9/16		3/8		205-25MM	FL205	1.36
IDC UCFL205-15	15/16		68	99	16	13	27	35.8	11.5	14.3				205-15		
IDC UCFL205-16	1													205-16		
IDC UCFL205-16 (16MM BH)	1		2-43/64	3-57/64	5/8	33/64	1-1/16	1-13/32	5/8	9/16		1/2		UC205-16	FL205	1.28
			68	99	16	13	27	35.8	16	14.3						
IDC UCFL206-18	1-1/8													UC206-18		
IDC UCFL206-30MM		30	3-5/32	4-39/64	45/64	33/64	1-7/32	1-37/64	29/64	5/8		3/8		206-30MM	FL206	1.94
IDC UCFL206-19	1-3/16		80	117	18	13	31	40.2	11.5	15.9				206-19		
IDC UCFL206-20	1-1/4													206-20		
IDC UCFL207-20	1-1/4													UC207-20		
IDC UCFL207-21	1-5/16													207-21		
IDC UCFL207-22	1-3/8		3-35/64	5-1/8	3/4	35/64	1-11/32	1-3/4	5/8	11/16		1/2		207-22	FL207	2.51
IDC UCFL207-35MM		35	90	130	19	14	34	44.4	16	17.5				207-35MM		
IDC UCFL207-23	1-7/16													207-23		
IDC UCFL208-24	1-1/2													UC208-24		
IDC UCFL208-25	1-9/16		3-15/16	5-43/64	53/64	35/64	1-27/64	2-1/64	5/8	3/4		1/2		208-25	FL208	3.26
IDC UCFL208-40MM		40	100	144	21	14	36	51.2	16	19				208-40MM		
IDC UCFL209-26	1-5/8													UC209-26		
IDC UCFL209-27	1-11/16		4-1/4	5-53/64	55/64	19/32	1-1/2	2-1/16	3/4	3/4		5/8		209-27	FL209	4.06
IDC UCFL209-28	1-3/4		108	148	22	15	38	52.2	19	19				209-28		
IDC UCFL209-45MM		45												209-45MM		
IDC UCFL210-30	1-7/8													UC210-30		
IDC UCFL210-31	1-15/16		4-17/32	6-3/16	55/64	19/32	1-37/64	2-5/32	3/4	3/4		5/8		210-31	FL210	4.78
IDC UCFL210-50MM		50	115	157	22	15	40	54.6	19	19				210-50MM		
IDC UCFL210-32	2													210-32		
IDC UCFL211-32	2													UC211-32		
IDC UCFL211-34	2-1/8		5-1/8	7-1/4	63/64	45/64	1-11/16	2-19/64	3/4	7/8		5/8		211-34	FL211	6.75
IDC UCFL211-55MM		55	130	184	25	18	43	58.4	19	22.2				211-55MM		
IDC UCFL211-35	2-3/16													211-35		
IDC UCFL212-36	2-1/4													UC212-36		
IDC UCFL212-38	2-3/8		5-33/64	7-61/64	1-9/64	45/64	1-57/64	2-45/64	29/32	1		3/4		212-38	FL212	8.53
IDC UCFL212-60MM		60	140	202	29	18	48	68.7	23	25.4				212-60MM		
IDC UCFL212-39	2-7/16													212-39		
IDC UCFL213-40	2-1/2		6-7/64	8-17/64	1-3/16	55/64	1-31/32	2-3/4	29/32	1		3/4		UC213-40	FL213	10.27
IDC UCFL213-65MM		65	155	210	30	22	50	69.7	23	25.4				213-65MM		
IDC UCFL214-44	2-3/4		6-19/64	8-1/2	1-7/32	55/64	2-1/8	2-31/32	29/32	1-3/16		3/4		UC214-44	FL214	11.29
IDC UCFL214-70MM		70	160	216	31	22	54	75.4	23	30.2				214-70MM		
IDC UCFL215-47	2-15/16		6-1/2	8-55/64	1-11/32	55/64	2-13/64	3-3/32	29/32	1-5/16		3/4		UC215-47	FL215	11.90
IDC UCFL215-48	3		165	225	34	22	56	78.5	23	33.3				215-48		
IDC UCFL215-75MM		75												215-75MM		
IDC UCFL216-80MM		80	7-3/32	9-11/64	1-11/32	55/64	2-9/32	3-9/32	63/64	1-5/16		7/8		UC216-80MM	FL216	15.87
			180	233	34	22	58	83.3	25	33.3						
IDC UCFL217-52	3-1/4		7-31/64	9-49/64	1-27/64	15/16	2-31/64	3-29/64	63/64	1-11/32		7/8		UC217-52	FL217	19.47
IDC UCFL217-85MM		85	190	248	36	24	63	87.6	25	34.1				217-85MM		
IDC UCFL218-56	3-1/2		8-5/64	10-7/16	1-37/64	15/16	2-43/64	3-51/64	63/64	1-9/16		7/8		UC218-56	FL218	23.41
IDC UCFL218-90MM		90	205	265	40	24	68	96.3	25	39.7				218-90MM		

Dual seal standard. Triple lip seal (R3 suffix) optional.

IDC SELECT® BEARINGS

FLANGES

HCFL STANDARD DUTY ECCENTRIC LOCKING COLLAR TYPE



- Cast iron housing
- Wide inner ring bearing

Part No.	Shaft Dia. d		Dimension (in) (mm)									Bolt Size (in)	Bearing No.	Housing No.	Weight (lb)	
	(in)	(mm)	H	L	J	A2	A1	A	E	N	S					
IDC HCFLU201S-12MM		12												HC201S		
IDC HCFLU201-8S	1/2													201-8S		
IDC HCFLU202S-15MM		15	3-57/64	3-57/64	3-1/64	19/32	7/16	31/32	1-33/64	29/64	35/64	3/8		202S	FLU203	1.06
IDC HCFLU202-10S	5/8		99	99	76.5	15	11	24.5	38.4	11.5	13.9			202-10S		
IDC HCFLU203S-17MM		17												203S		
IDC HCFLU203-11S	11/16													203-11S		
IDC HCFLU201-8	1/2													HC201-8		
IDC HCFLU202-10	5/8													202-10		
IDC HCFLU201-12MM		12												201-12MM		
IDC HCFLU202-15MM		15												202-15MM		
IDC HCFLU203-17MM		17	4-29/64	4-29/64	3-35/64	3/4	19/32	1-5/32	2-23/64	15/32	1-23/32	3/8		203-17MM	FLU204	1.39
IDC HCFLU203-11	11/16		113	113	90	19	15	29.5	60	12	43.7			203-11		
IDC HCFLU204-20MM		20												204-20MM		
IDC HCFL204-12	3/4													204-12		
IDC HCFL204-20MM		20												204-20MM		
IDC HCFL205-14	7/8													HC205-14		
IDC HCFL205-15	15/16		4-27/32	4-27/32	3-57/64	3/4	19/32	1-3/16	2-43/64	15/32	1-3/4	3/8		205-15	FLU205	1.76
IDC HCFL205-25MM		25	123	123	99	19	15	30	68	12	44.4			205-25MM		
IDC HCFL205-16	1													205-16		
IDC HCFL206-18	1-1/8													HC206-18		
IDC HCFL206-30MM		30	5-19/32	6-9/64	4-19/32	25/32	5/8	1-9/32	3-5/32	15/32	1-29/32	3/8		206-30MM	FLU206	2.65
IDC HCFL206-19	1-3/16		142	156	116.5	20	16	32.5	80	12	48.4			206-19		
IDC HCFL206-20	1-1/4													206-20		
IDC HCFL207-20	1-1/4													HC207-20		
IDC HCFL207-21	1-5/16													207-21		
IDC HCFL207-22	1-3/8		6-7/32	6-9/64	5-1/8	53/64	43/64	1-27/64	3-35/64	35/64	2-1/64	7/16		207-22	FLU207	3.53
IDC HCFL207-35MM		35	158	156	130	21	17	36	90	14	51.1			207-35MM		
IDC HCFL207-23	1-7/16													207-23		
IDC HCFL208-24	1-1/2													HC208-24		
IDC HCFL208-25	1-9/16		6-49/64	6-49/64	5-21/32	15/16	43/64	1-17/32	3-15/16	35/64	2-7/32	7/16		208-25	FLU208	4.19
IDC HCFL208-40MM		40	172	172	143.5	24	17	39	100	14	56.3			208-40MM		
IDC HCFL209-26	1-5/8													HC209-26		
IDC HCFL209-27	1-11/16		7-3/32	7-3/32	5-27/32	15/16	45/64	1-37/64	4-1/4	5/8	2-7/32	1/2		209-27	FLU209	5.07
IDC HCFL209-28	1-3/4		180	180	148.5	24	18	40	108	16	56.3			209-28		
IDC HCFL209-45MM		45												209-45MM		
IDC HCFL210-30	1-7/8													HC210-30		
IDC HCFL210-31	1-15/16		7-31/64	7-31/64	6-3/16	1-7/64	25/32	1-49/64	4-17/32	45/64	2-15/32	5/8		210-31	FLU210	5.74
IDC HCFL210-50MM		50	190	190	157	28	20	45	115	18	62.7			210-50MM		
IDC HCFL211-32	2-1/8													HC211-32		
IDC HCFL211-33	2-3/16													211-33		
IDC HCFL211-55MM		55	8-35/64	8-35/64	7-1/4	1-7/32	53/64	1-57/64	5-3/64	45/64	2-13/16	5/8		211-55MM	FLU211	8.38
IDC HCFL211-34	2-1/4		217	217	184	31	21	48	128	18	71.4			211-34		
IDC HCFL211-35	2-3/8													211-35		

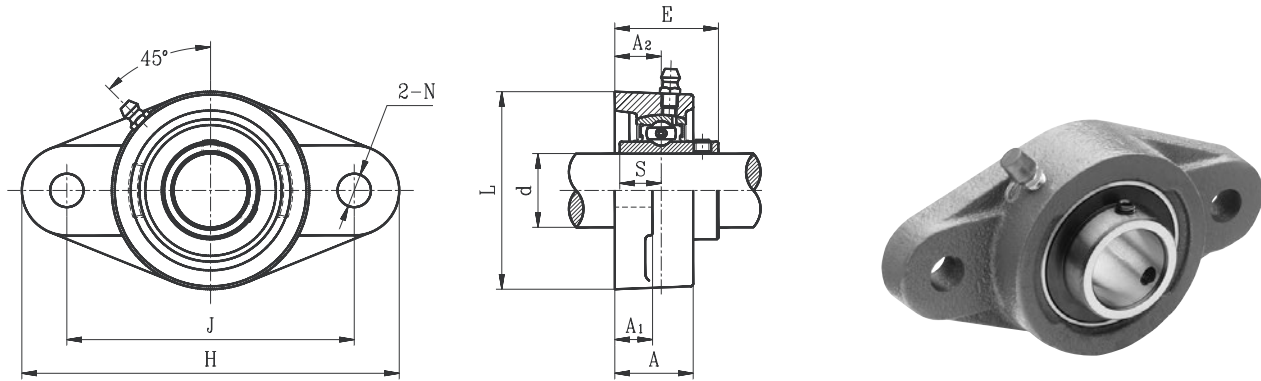
Dual seal standard. Triple lip seal (R3 suffix) optional.

FLANGES

IDC SELECT® BEARINGS

FLANGES

UCFLX MEDIUM DUTY SETSCREW LOCKING TYPE



- Cast iron housing
- Wide inner ring bearing

FLANGES

Part No.	Shaft Dia. d		Dimension (in) (mm)								Bolt Size (in)	Bearing No.	Housing No.	Weight (lb)	
	(in)	(mm)	H	L	J	A ₂	A ₁	A	E	N					S
IDC UCFLX05-16	1		5-35/64	3-5/32	4-39/64	45/64	33/64	1-3/16	1-37/64	15/32	5/8	3/8	UCX05-16 05-25MM	FL206	2.20
IDC UCFLX05-25MM		25	141	80	117	18	13	30	40.2	12	15.9				
IDC UCFLX06-18	1-1/8											1/2	UCX06-18 06-30MM	FL207	3.31
IDC UCFLX06-30MM		30	6-9/64	3-35/64	5-1/8	3/4	19/32	1-11/32	1-3/4	5/8	11/16				
IDC UCFLX06-19	1-3/16		156	90	130	19	15	34	44.4	16	17.5	1/2	UCX06-18 06-19 06-20	FL207	3.31
IDC UCFLX06-20	1-1/4														
IDC UCFLX07-20	1-1/4											1/2	UCX07-20 07-22 07-35MM	FL208	4.41
IDC UCFLX07-22	1-3/8		6-47/64	3-15/16	5-43/64	53/64	5/8	1-1/2	2-1/64	5/8	3/4				
IDC UCFLX07-35MM		35	171	100	144	21	16	38	51.2	16	19	1/2	UCX07-20 07-23	FL208	4.41
IDC UCFLX07-23	1-7/16														
IDC UCFLX08-24	1-1/2		7-3/64	4-1/4	5-53/64	55/64	5/8	1-37/64	2-1/16	5/8	3/4	1/2	UCX08-24 08-40MM	FL209	4.85
IDC UCFLX08-40MM		40	179	108	148	22	16	40	52.2	16	19				
IDC UCFLX09-26	1-5/8											1/2	UCX09-26 09-27 09-45MM	FL210	5.29
IDC UCFLX09-27	1-11/16		7-7/16	4-17/32	6-3/16	29/32	5/8	1-37/64	2-3/16	5/8	3/4				
IDC UCFLX09-45MM		45	189	115	157	23	16	40	55.6	16	19	1/2	UCX09-26 09-28	FL210	5.29
IDC UCFLX09-28	1-3/4														
IDC UCFLX10-30	1-7/8											5/8	UCX10-30 10-31 10-50MM	FL211	7.50
IDC UCFLX10-31	1-15/16		8-1/2	5-1/8	7-1/4	1-1/32	45/64	1-47/64	2-11/32	3/4	7/8				
IDC UCFLX10-50MM		50	216	130	184	26	18	44	59.4	19	22.2	3/4	UCX10-30 10-32	FL211	7.50
IDC UCFLX10-32	2														
IDC UCFLX11-34	2-1/8											3/4	UCX11-34 11-35 11-36	FL212	8.82
IDC UCFLX11-35	2-3/16		9-27/32	5-33/64	7-61/64	1-9/64	45/64	1-57/64	2-45/64	29/32	1				
IDC UCFLX11-36	2-1/4		250	140	202	29	18	48	68.7	23	25.4	3/4	UCX11-34 11-36	FL212	8.82
IDC UCFLX11-55MM		55													

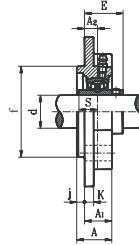
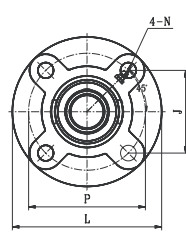
Dual seal standard. Triple lip seal (R3 suffix) optional.

IDC SELECT® BEARINGS

FLANGES

UCFC STANDARD DUTY SETSCREW LOCKING TYPE

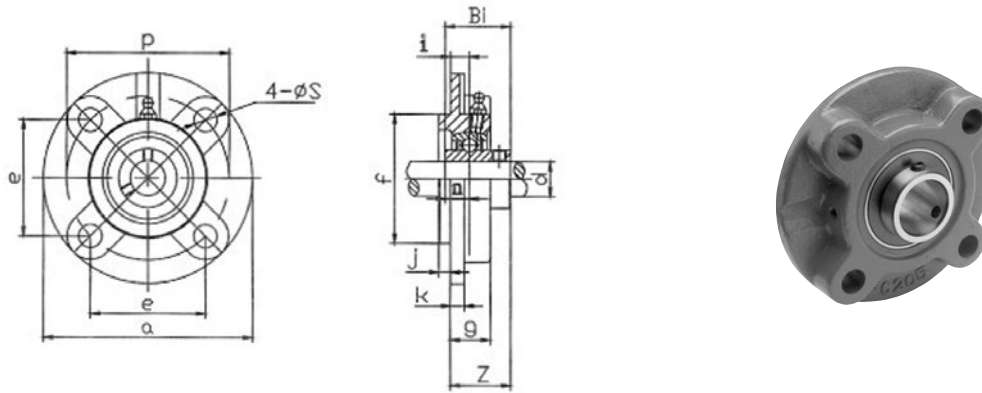
- Cast iron housing
- Wide inner ring bearing



Part No.	Shaft Dia. d		Dimension (in) (mm)												Bolt Size (in)	Bearing No.	Housing No.	Weight (lb)
	(in)	(mm)	L	P	A ₂	A ₁	A	j	K	N	J	f	S	E				
IDC UCFC201S		12														UC201S		
IDC UCFC201-8S	1/2															201-8S		
IDC UCFC202S		15	3-35/64	2-3/4	25/64	3/4	29/32	5/32	13/64	25/64	1-61/64	2-11/64	29/64	1-1/64	5/16	202S	FC203	1.23
IDC UCFC202-10S	5/8		90	70	10	19	23	4	5	10	49.5	55	11.5	25.9		202-10S		
IDC UCFC203S		17														203S		
IDC UCFC203-11S	11/16															203-11S		
IDC UCFC201-8	1/2															UC201-8		
IDC UCFC201-12MM		12														201-12MM		
IDC UCFC202-15MM		15														202-15MM		
IDC UCFC202-10	5/8		3-15/16	3-5/64	25/64	13/16	1	13/64	9/32	15/32	2-11/64	2-7/16	1/2	1-7/64	3/8	202-10	FC204	1.61
IDC UCFC203-17MM	17		100	78	10	20.5	25.5	5	7	12	55.1	62	12.7	28.3		203-17MM		
IDC UCFC203-11	11/16															203-11		
IDC UCFC204-20MM		20														204-20MM		
IDC UCFC204-12	3/4															204-12		
IDC UCFC205-14	7/8															UC205-14		
IDC UCFC205-15	15/16		4-17/32	3-35/64	25/64	53/64	1-1/16	15/64	9/32	15/32	2-1/2	2-3/4	9/16	1-11/64	3/8	205-15	FC205	2.27
IDC UCFC205-16	1		115	90	10	21	27	6	7	12	63.6	70	14.3	29.8		205-16		
IDC UCFC205-25MM		25														205-25MM		
IDC UCFC206-18	1-1/8															UC206-18		
IDC UCFC206-30MM		30	4-59/64	3-15/16	25/64	29/32	1-7/32	5/16	5/16	15/32	2-25/32	3-5/32	5/8	1-17/64	3/8	206-30MM	FC206	2.91
IDC UCFC206-19	1-3/16		125	100	10	23	31	8	8	12	70.7	80	15.9	32.2		206-19		
IDC UCFC206-20	1-1/4															206-20		
IDC UCFC207-20	1-1/4															UC207-20		
IDC UCFC207-21	1-5/16															207-21		
IDC UCFC207-22	1-3/8		5-5/16	4-21/64	7/16	1-1/32	1-11/32	5/16	23/64	35/64	3-1/16	3-35/64	11/16	1-7/16	7/16	207-22	FC207	4.12
IDC UCFC207-35MM		35	135	110	11	26	34	8	9	14	77.8	90	17.5	36.4		207-35MM		
IDC UCFC207-23	1-7/16															207-23		
IDC UCFC208-24	1-1/2															UC208-24		
IDC UCFC208-25	1-9/16		5-45/64	4-23/32	7/16	1-1/32	1-27/64	25/64	23/64	35/64	3-11/32	3-15/16	3/4	1-5/8	7/16	208-25	FC208	4.81
IDC UCFC208-40MM		40	145	120	11	26	36	10	9	14	84.8	100	19	41.2		208-40MM		
IDC UCFC209-26	1-5/8															UC209-26		
IDC UCFC209-27	1-11/16		6-19/64	5-13/64	25/64	1-1/32	1-1/2	15/32	35/64	5/8	3-43/64	4-9/64	3/4	1-37/64	1/2	209-27	FC209	6.13
IDC UCFC209-28	1-3/4		160	132	10	26	38	12	14	16	93.3	105	19	40.2		209-28		
IDC UCFC209-45MM		45														209-45MM		
IDC UCFC210-30	1-7/8															UC210-30		
IDC UCFC210-31	1-15/16		6-1/2	5-7/16	25/64	1-7/64	1-37/64	15/32	35/64	5/8	3-27/32	4-21/64	3/4	1-43/64	1/2	210-31	FC210	6.55
IDC UCFC210-50MM		50	165	138	10	28	40	12	14	16	97.6	110	19	42.6		210-50MM		
IDC UCFC211-32	2															UC211-32		
IDC UCFC211-34	2-1/8		7-9/32	5-29/32	33/64	1-7/32	1-11/16	15/32	19/32	3/4	4-11/64	4-59/64	7/8	1-53/64	5/8	211-34	FC211	9.17
IDC UCFC211-55MM		55	185	150	13	31	43	12	15	19	106.1	125	22.2	46.4		211-55MM		
IDC UCFC211-35	2-3/16															211-35		
IDC UCFC212-36	2-1/4															UC212-36		
IDC UCFC212-60MM		60	7-43/64	6-19/64	43/64	1-27/64	2-11/64	15/32	19/32	3/4	4-29/64	5-5/16	1	2-15/64	5/8	212-60MM	FC212	11.18
IDC UCFC212-38	2-3/8		195	160	17	36	55	12	15	19	113.1	135	25.4	56.7		212-38		
IDC UCFC212-39	2-7/16															212-39		
IDC UCFC213-40	2-1/2		8-5/64	6-11/16	5/8	1-27/64	1-31/32	35/64	19/32	3/4	4-47/64	5-45/64	1	2-3/16	5/8	UC213-40	FC213	12.65
IDC UCFC213-65MM		65	205	170	16	36	50	14	15	19	120.2	145	25.4	55.7		213-65MM		
IDC UCFC214-44	2-3/4		8-15/32	6-31/32	43/64	1-37/64	2-1/8	35/64	45/64	3/4	4-59/64	5-29/32	1-3/16	2-27/64	5/8	UC214-44	FC214	15.34
IDC UCFC214-70MM		70	215	177	17	40	54	14	18	19	125.1	150	30.2	61.4		214-70MM		
IDC UCFC215-75MM		75														UC215-75MM		
IDC UCFC215-48	3		8-21/32	7-1/4	45/64	1-37/64	2-13/64	5/8	45/64	3/4	5-1/8	6-19/64	1-5/16	2-29/64	5/8	215-48	FC215	16.67
			220	184	18	40	56	16	18	19	130.1	160	33.3	62.5				
IDC UCFC216-80MM		80	9-29/64	7-7/8	45/64	1-21/32	2-9/32	5/8	45/64	29/32	5-9/16	6-11/16	1-5/16	2-21/32	3/4	UC216-80MM	FC216	20.17
			240	200	18	42	58	16	18	23	141.4	170	33.3	67.3				
IDC UCFC217-52	3-1/4		9-27/32	8-3/16	45/64	1-25/32	2-31/64	45/64	25/32	29/32	5-51/64	7-3/32	1-11/32	2-47/64	3/4	UC217-52	FC217	24.32
IDC UCFC217-85MM		85	250	208	18	45	63	18	20	23	147.1	180	34.1	69.6		217-85MM		
IDC UCFC218-56	3-1/2		10-7/16	8-21/32	55/64	1-31/32	2-43/64	45/64	25/32	29/32	6-1/8	7-31/64	1-9/16	3-5/64	3/4	UC218-56	FC218	28.81
IDC UCFC218-90MM		90	265	220	22	50	68	18	20	23	155.5	190	39.7	78.3		218-90MM		

Dual seal standard. Triple lip seal (R3 suffix) optional.

UCFCSX MEDIUM DUTY SETSCREW LOCKING TYPE



- Cast iron housing
- Wide inner ring bearing

Part No.	Shaft Dia. d		Dimension (in) (mm)											Bolt Size (in)	Bearing No.	Housing No.	Weight (lb)	
	(in)	(mm)	a	p	e	i	s	j	k	g	f	z	Bi					n
IDC UCFCSX05-16	1		4-3/8	3-5/8	2-9/16	25/64	3/8	15/64	3/8	15/16	2-63/64	1-17/64	1-1/2	5/8	5/16	UCX05-16	FCSX05	2.65
IDC UCFCSX05-25MM		25	111	92	65	10	9.5	6	9.5	24	76	32.2	38.1	15.9				
IDC UCFCSX06-18	1-1/8															UCX06-18		
IDC UCFCSX06-19	1-3/16		5	4-9/64	2-59/64	5/16	15/32	3/8	3/8	57/64	3-11/32	1-5/16	1-11/16	11/16				
IDC UCFCSX06-30MM		30	127	105	74.2	8	12	9.5	9.5	22.5	85	33.4	42.9	17.5	3/8	06-19	FCSX06	3.31
IDC UCFCSX06-20	1-1/4															06-30MM		
IDC UCFCSX07-22	1-3/8															06-20		
IDC UCFCSX07-35MM		35	5-15/64	4-3/8	3-3/32	23/64	15/32	7/16	7/16	1-1/32	3-5/8	1-35/64	1-15/16	3/4	3/8	UCX07-22	FCSX07	4.19
IDC UCFCSX07-23	1-7/16		133	111	78.5	9	12	11	11	26	92	39.2	49.2	19		07-35MM		
IDC UCFCSX08-24	1-1/2															07-23		
IDC UCFCSX08-40MM		40	5-15/64	4-3/8	3-3/32	23/64	15/32	7/16	7/16	1-1/32	3-5/8	1-35/64	1-15/16	3/4	3/8	UCX08-24	FCSX08	4.41
IDC UCFCSX08-40MM			133	111	78.5	9	12	11	11	26	92	39.2	49.2	19		08-40MM		
IDC UCFCSX09-26	1-5/8															UCX09-26		
IDC UCFCSX09-27	1-11/16		6-7/64	5-1/8	3-5/8	5/16	35/64	15/32	7/16	63/64	4-1/4	1-19/32	2-1/32	3/4	7/16	09-27	FCSX09	5.73
IDC UCFCSX09-28	1-3/4		155	130	91.9	8	14	12	11	25	108	40.6	51.6	19		09-28		
IDC UCFCSX09-45MM		45														09-45MM		
IDC UCFCSX10-30	1-7/8															UCX10-30		
IDC UCFCSX10-31	1-15/16		6-3/8	5-23/64	3-25/32	9/32	35/64	5/8	7/16	63/64	4-41/64	1-19/32	2-3/16	7/8	7/16	10-31	FCSX10	7.05
IDC UCFCSX10-50MM		50	162	136	96.2	7	14	16	11	25	118	40.4	55.6	22.2		10-50MM		
IDC UCFCSX10-32	2															10-32		
IDC UCFCSX11-34	2-1/8															UCX11-34		
IDC UCFCSX11-35	2-3/16		7-3/32	5-63/64	4-15/64	5/32	5/8	55/64	33/64	1-1/32	5	1-23/32	2-9/16	1	1/2	11-35	FCSX11	9.48
IDC UCFCSX11-55MM		55	180	152	107.5	4	16	22	13	26	127	43.7	65.1	25.4		11-55MM		
IDC UCFCSX11-36	2-1/4															11-36		
IDC UCFCSX12-38	2-3/8		7-41/64	6-1/2	4-19/32	7/16	5/8	25/32	35/64	1-19/64	5-33/64	2	2-9/16	1	1/2	UCX12-38	FCSX12	11.68
IDC UCFCSX12-39	2-7/16		194	165	116.7	11	16	20	14	33	140	50.7	65.1	25.4		12-39		
IDC UCFCSX12-60MM		60														12-60MM		
IDC UCFCSX13-40	2-1/2		7-41/64	6-1/2	4-19/32	7/16	5/8	25/32	35/64	1-19/64	5-33/64	2-3/16	2-15/16	1-3/16	1/2	UCX13-40	FCSX13	12.57
IDC UCFCSX13-65MM		65	194	165	116.7	11	16	20	14	33	140	55.4	74.6	30.2		13-65MM		
IDC UCFCSX14-43	2-11/16															UCX14-43		
IDC UCFCSX14-44	2-3/4		8-47/64	7-31/64	5-9/32	35/64	3/4	25/32	35/64	1-27/64	6-29/64	2-19/64	3-1/16	1-5/16	5/8	14-44	FCSX14	16.09
IDC UCFCSX14-70MM		70	222	190	134.3	14	19	20	14	36	164	58.5	77.8	33.3		14-70MM		
IDC UCFCSX15-47	2-15/16															UCX15-47		
IDC UCFCSX15-48	3		8-47/64	7-31/64	5-9/32	15/32	3/4	55/64	5/8	1-3/8	6-29/64	2-13/32	3-1/4	1-5/16	5/8	15-48	FCSX15	17.64
IDC UCFCSX15-75MM		75	222	190	134.3	12	19	22	16	35	164	61.3	82.6	33.3		15-75MM		

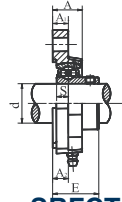
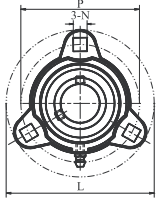
Dual seal standard. Triple lip seal (R3 suffix) optional.

IDC SELECT® BEARINGS

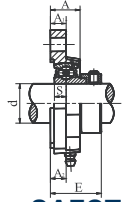
FLANGES

SBFCT DUCTILE IRON LIGHT DUTY SETSCREW TYPE

SAFCT DUCTILE IRON LIGHT DUTY ECCENTRIC LOCKING COLLAR TYPE



SBFCT
SETSCREW TYPE



SAFCT
ECCENTRIC LOCKING
COLLAR TYPE



- Ductile iron housing
- Narrow inner ring bearing

Part No.	Shaft Dia. d		Dimension (in) (mm)								Bolt Size (in)	Bearing No.	Housing No.	Weight (lb)		
	(in)	(mm)	L	P	A ₁	A	A ₂	N	S	E						
IDC SBFCT201-8	1/2															
IDC SBFCT202-10G	5/8															
IDC SBFCT201G-12MMG	12	1-19/32	2-1/2	25/64	3/4	1/4	9/32	15/64	1-3/64	1/4	SB201-8G					
IDC SBFCT202G-15MMG	15	40.5	63.5	9.8	19.1	6.5	7.1	6	26.7	1/4	202-10G	FCT203	0.46			
IDC SBFCT203G-17MMG	17										202G					
IDC SBFCT203-11G	11/16										203G					
IDC SBFCT204-12G	3/4	1-25/32	2-13/16	7/16	25/32	19/64	11/32	9/32	1-9/64	5/16	203-11G					
IDC SBFCT204G-20MMG	20	45.3	71.5	11	20	7.5	8.7	7	29	5/16	SB204-12G	FCT204	0.71			
IDC SBFCT205-14G	7/8										204G-20MMG					
IDC SBFCT205-15G	15/16	1-7/8	3	13/32	25/32	19/64	11/32	19/64	1-11/64	5/16	SB205-14G					
IDC SBFCT205G-25MMG	25	47.5	76.2	10.3	20	7.5	8.7	7.5	29.8	5/16	205-15G	FCT205	0.93			
IDC SBFCT205-16G	1										205G-25MMG					
IDC SBFCT206-17G	1-1/16										205-16G					
IDC SBFCT206-18G	1-1/8										SB206-17G					
IDC SBFCT206G-30MMG	30	2-7/32	3-9/16	15/32	55/64	23/64	13/32	5/16	1-11/32	3/8	206-18G	FCT206	1.32			
IDC SBFCT206-19G	1-3/16	56.5	90.5	12	22	9	10.3	8	34	3/8	206G-30MMG					
IDC SBFCT206-20G	1-1/4										206-19G					
IDC SBFCT207-20G	1-1/4										206-20G					
IDC SBFCT207-21G	1-5/16										SB207-20G					
IDC SBFCT207G-35MMG	35	2-13/32	3-15/16	33/64	15/16	3/8	13/32	21/64	1-7/16	3/8	207-21G	FCT207	1.85			
IDC SBFCT207-22G	1-3/8	61	100	13	24	9.5	10.3	8.5	36.5	3/8	207G-35MMG					
IDC SBFCT207-23G	1-7/16										207-22G					
											207-23G					

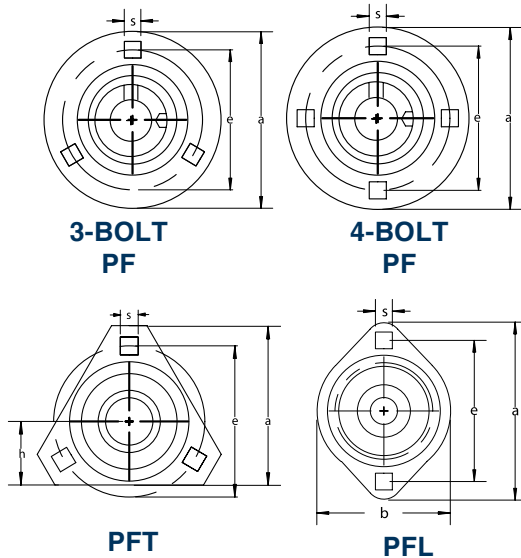
Part No.	Shaft Dia. d		Dimension (in) (mm)								Bolt Size (in)	Bearing No.	Housing No.	Weight (lb)	
	(in)	(mm)	L	P	A ₁	A	A ₂	N	S	E					
IDC SAFCT201-8	1/2														
IDC SAFCT202-10G	5/8														
IDC SAFCT201G-12MMG	12	1-19/32	2-1/2	25/64	3/4	1/4	9/32	1/4	1-19/64	1/4	SA201-8G				
IDC SAFCT202G-15MMG	15	40.5	63.5	9.8	19.1	6.5	7.1	6.5	32.8	1/4	202-10G	FCT203	0.57		
IDC SAFCT203G-17MMG	17										201G				
IDC SAFCT203-11G	11/16										202G				
IDC SAFCT204-12G	3/4	1-25/32	2-13/16	7/16	25/32	7/16	11/32	19/64	1-23/64	5/16	203G				
IDC SAFCT204G-20MMG	20	45.3	71.5	11	20	11	8.7	7.5	34.5	5/16	203-11G				
IDC SAFCT205-14G	7/8										SA204-12G	FCT204	0.75		
IDC SAFCT205-15G	15/16	1-7/8	3	13/32	25/32	13/32	11/32	19/64	1-21/64	5/16	204G-20MMG				
IDC SAFCT205G-25MMG	25	47.5	76.2	10.3	20	10.3	8.7	7.5	33.8	5/16	SA205-14G				
IDC SAFCT205-16G	1										205-15G	FCT205	0.97		
IDC SAFCT206-18G	1-1/8										205G-25MMG				
IDC SAFCT206G-30MMG	30	2-7/32	3-9/16	15/32	55/64	15/32	13/32	23/64	1-17/32	3/8	205-16G				
IDC SAFCT206-19G	1-3/16	56.5	90.5	12	22	12	10.3	9	38.7	3/8	SA206-18G				
IDC SAFCT206-20G	1-1/4										206G-30MMG	FCT206	1.46		
IDC SAFCT207-20G	1-1/4										206-19G				
IDC SAFCT207-21G	1-5/16										206-20G				
IDC SAFCT207-22G	1-3/8	1-7/32	3-15/16	33/64	15/16	33/64	13/32	3/8	1-43/64	3/8	SA207-20G				
IDC SAFCT207G-35MMG	35	61	100	13	24	13	10.3	9.5	42.4	3/8	207-21G	FCT207	1.94		
IDC SAFCT207-23G	1-7/16										207-22G				
											207G-35MMG				
											207-23G				

Full cover metal shroud seal standard. Full contact rubber seal (2RS suffix) optional.
Non-lubricatable units also available (remove G suffix).

PFL TWO BOLT FLANGES

PF THREE & FOUR BOLT ROUND FLANGES

PFT THREE BOLT TRIANGULAR FLANGES



PFL TWO BOLT STAMPED FLANGES

Part No.	Dimensions			
	a	b	e	s
IDC PFL203	3 ³ / ₁₆	2 ⁵ / ₁₆	2 1/2	9 ³ / ₃₂
IDC PFL204	3 ⁹ / ₁₆	2 ⁵ / ₈	2 ¹³ / ₁₆	1 ¹ / ₃₂
IDC PFL205	3 ³ / ₄	2 ⁵ / ₆₄	3	1 ¹ / ₃₂
IDC PFL206	4 ⁷ / ₁₆	3 ⁵ / ₁₆	3 ⁹ / ₁₆	1 ³ / ₃₂
IDC PFL207	4 ¹³ / ₁₆	3 ¹ / ₁₆	3 ¹⁵ / ₁₆	1 ³ / ₃₂

PFT THREE BOLT TRIANGULAR FLANGES

Part No.	Dimensions			
	a	e	h	s
IDC PFT203	3 ³ / ₁₆	2 1/2	1 1/8	9 ³ / ₃₂
IDC PFT204	3 ⁹ / ₁₆	2 ¹³ / ₁₆	1 ⁹ / ₁₆	1 ¹ / ₃₂
IDC PFT205	3 ³ / ₄	3	1 ³ / ₈	1 ¹ / ₃₂
IDC PFT206	4 ⁷ / ₁₆	3 ⁹ / ₁₆	1 1/2	1 ³ / ₃₂
IDC PFT207	4 ¹³ / ₁₆	3 ¹⁵ / ₁₆	1 ³ / ₄	1 ³ / ₃₂

PF FOUR BOLT ROUND FLANGES

Part No.	Dimensions		
	a	e	s
IDC PF208	5 ¹³ / ₁₆	4 ¹ / ₁₆	1 ⁷ / ₃₂
IDC PF209	5 ⁷ / ₈	4 ³ / ₄	1 ⁷ / ₃₂
IDC PF210	6 ¹ / ₈	5	1 ⁷ / ₃₂
IDC PF211	6 ¹ / ₁₆	5 ⁷ / ₁₆	1 ⁷ / ₃₂

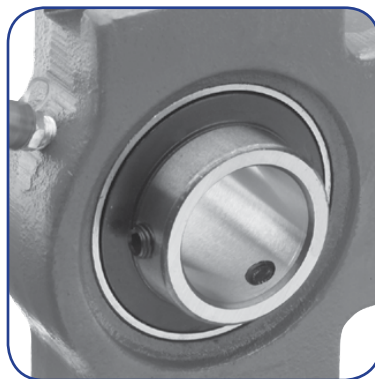
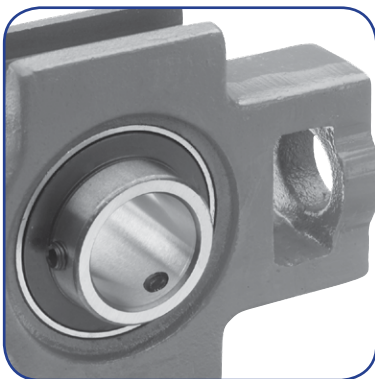
PF THREE BOLT ROUND FLANGES

Part No.	Dimensions		
	a	e	s
IDC PF203	3 ³ / ₁₆	2 1/2	9 ³ / ₃₂
IDC PF204	3 ⁹ / ₁₆	2 ¹³ / ₁₆	1 ¹ / ₃₂
IDC PF205	3 ³ / ₄	3	1 ¹ / ₃₂
IDC PF206	4 ⁷ / ₁₆	3 ⁹ / ₁₆	1 ³ / ₃₂
IDC PF207	4 ¹³ / ₁₆	3 ¹⁵ / ₁₆	1 ³ / ₃₂

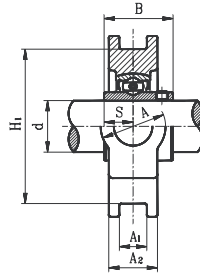
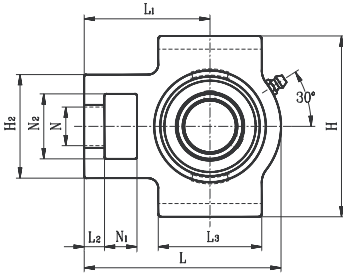
TAKEUP UNITS

IDC Select's line of mounted bearings combines quality, innovation and affordability to give you the advantage you need. Whether your bearing needs are light, standard or medium duty, IDC Select® offers a wide variety of choices for your specific requirements.

IDC Select® mounted units feature a cast iron housing with a solid base, a wide inner ring bearing, dual heavy-duty contact seals and steel plate slingers on both sides for dust exclusion. They also have full self-alignment, a grease fitting for adding lubricant, and setscrew units which have two setscrews 120° apart in the inner ring. Triple lip seals are available on request.



UCST STANDARD DUTY SETSCREW LOCKING TYPE - WIDE SLOT



- Cast iron housing - wide slot
- Wide inner ring bearing

Part No.	Shaft Dia. d		Dimension (in) (mm)														Bearing No.	Housing No.	Weight (lb)		
	(in)	(mm)	N ₁	L ₂	H ₂	N ₂	N	L ₃	A ₁	H ₁	H	L	A	A ₂	L ₁	B				S	
IDC UCST201-8	1/2																		UC201-8		
IDC UCST202-10	5/8																		202-10		
IDC UCST201-12MM		12																	201-12MM		
IDC UCST202-15MM		15	5/8	25/64	2-1/64	1-17/64	3/4	2-1/64	17/32	2-63/64	3-1/2	3-45/64	1-17/64	15/16	2-23/64	1-7/32	1/2		202-15MM	ST204	1.92
IDC UCST203-17MM		17	16	10	51	32	19	51	13.5	76	89	94	32	24	60	31	12.7		203-17MM		
IDC UCST203-11	11/16																		203-11		
IDC UCST204-12	3/4																		204-12		
IDC UCST204-20MM		20																	204-20MM		
IDC UCST205-14	7/8																		UC205-14		
IDC UCST205-15	15/16		5/8	25/64	2-1/64	1-17/64	55/64	2-1/64	17/32	2-63/64	3-1/2	3-13/16	1-17/64	15/16	2-7/16	1-11/32	9/16		205-15	ST205	1.85
IDC UCST205-25MM		25	16	10	51	32	22	51	13.5	76	89	97	32	24	62	34.1	14.3		205-25MM		
IDC UCST205-16	1																		205-16		
IDC UCST206-18	1-1/8																		UC206-18		
IDC UCST206-30MM		30	5/8	25/64	2-13/64	1-29/64	55/64	2-1/4	17/32	3-1/2	4-1/64	4-29/64	1-29/64	15/16	2-3/4	1-1/2	5/8		206-30MM	ST206	2.40
IDC UCST206-19	1-3/16		16	10	56	37	22	57	13.5	89	102	113	37	24	70	38.1	15.9		206-19		
IDC UCST206-20	1-1/4																		206-20		
IDC UCST207-20	1-1/4																		UC207-20		
IDC UCST207-21	1-5/16		5/8	33/64	2-33/64	1-29/64	55/64	2-33/64	17/32	3-1/2	4-1/64	5-5/64	1-29/64	1-3/16	3-5/64	1-11/16	11/16		207-21	ST207	3.31
IDC UCST207-22	1-3/8		16	13	64	37	22	64	13.5	89	102	129	37	30	78	42.9	17.5		207-22		
IDC UCST207-35MM		35																	207-35MM		
IDC UCST207-23	1-7/16																		207-23		
IDC UCST208-24	1-1/2		3/4	5/8	3-17/64	1-59/64	1-9/64	3-17/64	11/16	4-1/64	4-31/64	5-43/64	1-59/64	1-19/64	3-1/2	1-15/16	3/4		UC208-24		
IDC UCST208-25	1-9/16		19	16	83	49	29	83	17.5	102	114	144	49	33	89	49.2	19		208-25	ST208	5.38
IDC UCST208-40MM		40																	208-40MM		
IDC UCST209-26	1-5/8																		UC209-26		
IDC UCST209-27	1-11/16		3/4	5/8	3-17/64	1-59/64	1-9/64	3-17/64	11/16	4-1/64	4-39/64	5-43/64	1-59/64	1-3/8	3-27/64	1-15/16	3/4		209-27	ST209	5.42
IDC UCST209-28	1-3/4		19	16	83	49	29	83	17.5	102	117	144	49	35	87	49.2	19		209-28		
IDC UCST209-45MM		45																	209-45MM		
IDC UCST210-30	1-7/8		3/4	5/8	3-17/64	1-59/64	1-9/64	3-17/64	11/16	4-1/64	4-39/64	5-55/64	1-59/64	1-3/8	3-35/64	2-1/32	3/4		UC210-30		
IDC UCST210-31	1-15/16		19	16	83	49	29	83	17.5	102	117	149	49	35	90	51.6	19		210-31	ST210	5.29
IDC UCST210-50MM		50																	210-50MM		
IDC UCST211-32	2																		UC211-32		
IDC UCST211-34	2-1/8		63/64	3/4	4-1/64	2-33/64	1-3/8	3-47/64	1-1/16	5-1/8	5-3/4	6-47/64	2-33/64	1-5/8	4-11/64	2-3/16	7/8		211-34	ST211	9.74
IDC UCST211-55MM		55	25	19	102	64	35	95	27	130	146	171	64	41	106	55.6	22.2		211-55MM		
IDC UCST211-35	2-3/16																		211-35		
IDC UCST212-36	2-1/4																		UC212-36		
IDC UCST212-38	2-3/8		1-17/64	3/4	4-1/64	2-33/64	1-3/8	4-1/64	1-1/16	5-1/8	5-3/4	7-41/64	2-33/64	1-13/16	4-11/16	2-9/16	1		212-38	ST212	11.79
IDC UCST212-60MM		60	32	19	102	64	35	102	27	130	146	194	64	46	119	65.1	25.4		212-60MM		
IDC UCST212-39	2-7/16																		212-39		

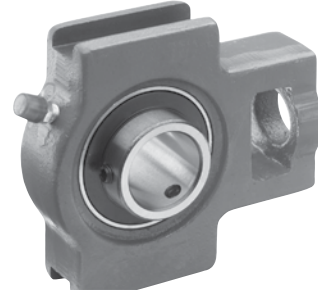
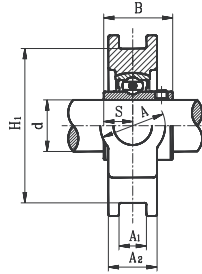
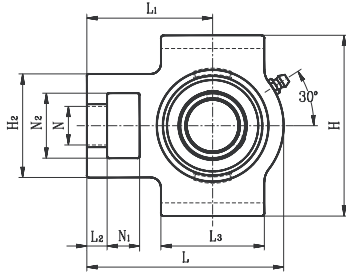
Dual seal standard. Triple lip seal (R3 suffix) optional.

TAKEUP UNITS

IDC SELECT® BEARINGS

TAKEUP UNITS

UCSTX MEDIUM DUTY SETSCREW LOCKING TYPE - WIDE SLOT



- Cast iron housing - wide slot
- Wide inner ring bearing

Part No.	Shaft Dia. d		Dimension (in) (mm)															Bearing No.	Housing No.	Weight (lb)
	(in)	(mm)	N ₁	L ₂	H ₂	N ₂	N	L ₃	A ₁	H ₁	H	L	A	A ₂	L ₁	B	S			
IDC UCSTX05-16 IDC UCSTX05-25MM	1	25	21/32 16	13/32 10	2-7/32 56	1-15/32 37	7/8 22	2-1/4 57	9/16 13.5	3-17/32 89	4-1/32 102	4-15/32 113	1-15/32 37	1-1/8 28	2-25/32 70	1-1/2 38.1	21/32 15.9	UCX05-16 UCX05-25MM	ST206	2.866
IDC UCSTX06-18 IDC UCSTX06-19 IDC UCSTX06-20 IDC UCSTX06-30MM	1-1/8 1-3/16 1-1/4	30	21/32 16	17/32 13	2-17/32 64	1-15/32 37	7/8 22	2-17/32 64	9/16 13.5	3-17/32 89	4-1/32 102	5-3/32 129	1-15/32 37	1-3/16 30	3-3/32 78	1-11/16 42.9	23/32 17.5	UC206-18 UCX06-19 UCX06-20 UCX06-30MM	ST207	3.747
IDC UCSTX07-22 IDC UCSTX07-23 IDC UCSTX07-35MM	1-3/8 1-7/16	35	3/4 19	21/32 16	3-9/32 83	1-15/16 49	1-5/32 29	3-9/32 83	23/32 17.5	4-1/32 102	4-1/2 114	5-11/16 144	1-15/16 49	1-5/16 33	3-15/32 88	1-15/16 49.2	3/4 19	UCX07-22 UCX07-23 UCX07-35MM	ST208	5.511
IDC UCSTX08-24 IDC UCSTX08-40MM	1-1/2	40	3/4 19	21/32 16	3-9/32 83	1-15/16 49	1-5/32 29	3-9/32 83	23/32 17.5	4-1/32 102	4-5/8 117	5-11/16 144	1-15/16 49	1-13/32 35	3-7/16 87	1-15/16 49.2	3/4 19	UCX08-24 UCX08-40MM	ST209	5.511
IDC UCSTX09-26 IDC UCSTX09-27 IDC UCSTX09-28 IDC UCSTX09-45MM	1-5/8 1-11/16 1-3/4	45	3/4 19	21/32 16	3-9/32 83	1-15/16 49	1-5/32 29	3-13/32 86	23/32 17.5	4-1/32 102	4-5/8 117	5-7/8 149	1-15/16 49	1-15/32 37	3-9/16 90	2-1/32 51.6	3/4 19	UCX09-26 UCX09-27 UCX09-28 UCX09-45MM	ST210	5.732
IDC UCSTX10-30 IDC UCSTX10-31 IDC UCSTX10-32 IDC UCSTX10-50MM	1-7/8 1-15/16 2	50	1 25	3/4 19	4-1/32 102	2-17/32 64	1-13/32 35	3-3/4 95	1-3/32 27	5-1/8 130	5-3/4 146	6-3/4 171	2-17/32 64	1-1/2 38	4-3/16 106	2-7/32 55.6	7/8 22.2	UCX10-30 UCX10-31 UCX10-32 UCX10-50MM	ST211	8.818
IDC UCSTX11-34 IDC UCSTX11-35 IDC UCSTX11-36 IDC UCSTX11-55MM	2-1/8 2-3/16 2-1/4	55	1-9/32 32	3/4 19	4-1/32 102	2-17/32 64	1-13/32 35	4-1/32 102	1-3/32 27	5-1/8 130	5-3/4 146	7-21/32 194	2-17/32 64	1-21/32 42	4-11/16 119	2-19/32 65.1	1 25.4	UCX11-34 UCX11-35 UCX11-36 UCX11-55MM	ST212	10.802
IDC UCSTX12-38 IDC UCSTX12-39 IDC UCSTX12-60MM	2-3/8 2-7/16	60	1-9/32 32	27/32 21	4-3/8 111	2-25/32 70	1-5/8 41	4-25/32 121	1-3/32 27	5-31/32 151	6-19/32 167	8-27/32 224	2-25/32 70	1-3/4 44	5-13/32 137	2-19/32 65.1	1 25.4	UCX12-38 UCX12-39 UCX12-60MM	ST213	11.904
IDC UCSTX13-40 IDC UCSTX13-65MM	2-1/2	65	1-9/32 32	27/32 21	4-3/8 111	2-25/32 70	1-5/8 41	4-25/32 121	1-3/32 27	5-31/32 151	6-19/32 167	8-27/32 224	2-25/32 70	1-13/16 46	5-13/32 137	2-15/16 74.6	1-3/16 30.2	UCX13-40 UCX13-65MM	ST214	15.21
IDC UCSTX14-43 IDC UCSTX14-44 IDC UCSTX14-70MM	2-11/16 2-3/4	70	1-9/32 32	27/32 21	4-3/8 111	2-25/32 70	1-5/8 41	4-25/32 121	1-3/32 27	5-31/32 151	6-19/32 167	9-5/32 232	2-25/32 70	1-29/32 48	5-1/2 140	3-3/32 77.8	1-5/16 33.3	UCX14-43 UCX14-44 UCX14-70MM	ST215	16.31
IDC UCSTX15-47 IDC UCSTX15-48 IDC UCSTX15-75MM	2-15/16 3	75	1-9/32 32	27/32 21	4-3/8 111	2-25/32 70	1-5/8 41	4-25/32 121	1-1/8 28	6-1/2 165	7-9/32 184	9-9/32 235	2-25/32 70	1-29/32 48	5-1/2 140	3-9/32 82.6	1-5/16 33.3	UCX15-47 UCX15-48 UCSTX15-75MM	TX015	16.95

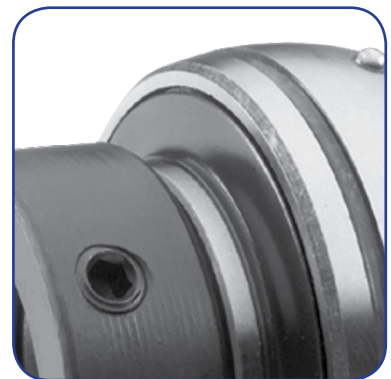
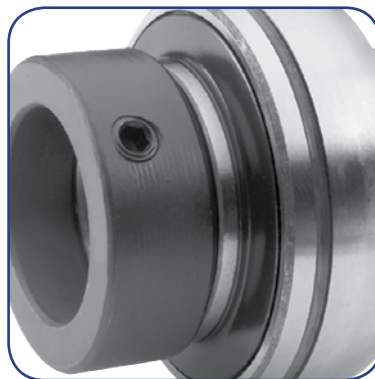
Dual seal standard. Triple lip seal (R3 suffix) optional.

TAKEUP UNITS

INSERTS

IDC Select® inserts are manufactured from high quality 52100 steel with deep groove precision honed raceways. Ball bearing inserts are used inside mounted unit housings. They are available in the most common spherical OD design to allow for misalignment and a cylindrical OD. Standard designs are lubricated with multi-purpose lithium based grease allowing re-lubrication. They also come with an anti-rotation pin.

Inserts are available in light, standard, and medium duty configurations. Set screw units have two set screws 120° apart in the inner ring. Eccentric locking collar units provide locking for one-directional motion applications. Triple lip seals are available on request.

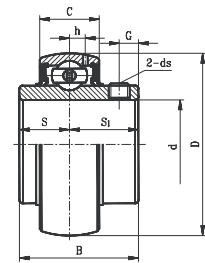


IDC SELECT® BEARINGS

INSERTS

UC STANDARD DUTY SETSCREW TYPE

- Wide inner ring bearing
- Lubrication groove with hole on setscrew side
- Additional oil hole on opposite side
- Anti-rotation device
- Dual seal



UC

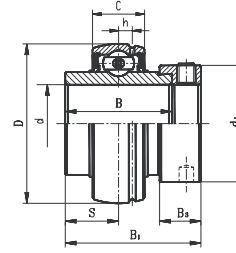
Part No.	Shaft Dia. d		Dimension (in) (mm)								Basic load rating (lb)		Weight (lb)
	(in)	(mm)	D	B	C	S	S ₁	G	h	ds	Dynamic	Static	
IDC UC201S		12											
IDC UC201-8S	1/2	15	1-37/64	1-5/64	35/64	29/64	5/8	5/32	9/64	10-32UNF	2158	1034	0.24
IDC UC202S		17	40	27.4	14	11.5	15.9	3.9878	3.7	M5x0.8			
IDC UC202-10S	5/8												
IDC UC203S		11/16											
IDC UC203-11S	11/16												
IDC UC201-8	1/2												
IDC UC202-10	5/8												
IDC UC201-12MM		12											
IDC UC202-15MM		15	1-27/32	1-7/32	43/64	1/2	23/32	3/16	9/64	1/4-28UNF	2878	1495	0.44
IDC UC203-17MM		17	47	31	17	12.7	18.3	4.8	3.7	M6x1			
IDC UC203-11	11/16												
IDC UC204-12	3/4												
IDC UC204-20MM		20											
IDC UC205-14	7/8												
IDC UC205-15	15/16		2-3/64	1-11/32	43/64	9/16	25/32	13/64	5/32	1/4-28UNF	3147	1765	0.51
IDC UC205-25MM		25	52	34.1	17	14.3	19.8	5	3.9	M6x1			
IDC UC205-16	1												
IDC UC206-18	1-1/8												
IDC UC206-30MM		30	2-7/16	1-1/2	3/4	5/8	7/8	13/64	13/64	1/4-28UNF	4384	2540	0.75
IDC UC206-19	1-3/16		62	38.1	19	15.9	22.2	5	5	M6x1			
IDC UC206-20	1-1/4												
IDC UC207-20	1-1/4												
IDC UC207-21	1-5/16												
IDC UC207-22	1-3/8		2-53/64	1-11/16	25/32	11/16	1	9/32	7/32	5/16-24UNF	5778	3440	1.19
IDC UC207-35MM		35	72	42.9	20	17.5	25.4	7	5.7	M8x1			
IDC UC207-23	1-7/16												
IDC UC208-24	1-1/2												
IDC UC208-25	1-9/16		3-5/32	1-15/16	53/64	3/4	1-3/16	5/16	1/4	5/16-24UNF	6632	4069	1.72
IDC UC208-40MM		40	80	49.2	21	19	30.2	8	6.2	M8x1			
IDC UC209-26	1-5/8												
IDC UC209-27	1-11/16		3-11/32	1-15/16	55/64	3/4	1-3/16	5/16	1/4	5/16-24UNF	7104	4631	1.72
IDC UC209-28	1-3/4		85	49.2	22	19	30.2	8	6.4	M8x1			
IDC UC209-45MM		45											
IDC UC210-30	1-7/8												
IDC UC210-31	1-15/16		3-35/64	2-1/32	15/16	3/4	1-9/32	25/64	1/4	3/8-24UNF	7868	5216	1.92
IDC UC210-50MM		50	90	51.6	24	19	32.6	10	6.5	M10x1			
IDC UC210-32	2												
IDC UC211-32	2												
IDC UC211-34	2-1/8		3-15/16	2-3/16	63/64	7/8	1-5/16	25/64	9/32	3/8-24UNF	9779	6564	2.78
IDC UC211-55MM		55	100	55.6	25	22.2	33.4	10	7	M10x1			
IDC UC211-35	2-3/16												
IDC UC212-36	2-1/4												
IDC UC212-38	2-3/8		4-21/64	2-9/16	1-1/16	1	1-9/16	25/64	19/64	3/8-24UNF	10723	7396	3.68
IDC UC212-60MM		60	110	65.1	27	25.4	39.7	10	7.6	M10x1			
IDC UC212-39	2-7/16												
IDC UC213-40	2-1/2		4-23/32	2-9/16	1-7/64	1	1-9/16	25/64	21/64	3/8-24UNF	12927	8992	4.28
IDC UC213-65MM		65	120	65.1	28	25.4	39.7	10	8.5	M10x1			
IDC UC214-44	2-3/4		4-59/64	2-15/16	1-9/64	1-3/16	1-3/4	15/32	11/32	7/16-20UNF	13668	10116	4.54
IDC UC214-70MM		70	125	74.6	29	30.2	44.4	12	8.9	M12x1.5			
IDC UC215-47	2-15/16												
IDC UC215-48	3		5-1/8	3-1/16	1-3/16	1-5/16	1-3/4	15/32	23/64	7/16-20UNF	14837	11128	4.94
IDC UC215-75MM		75	130	77.8	30	33.3	44.5	12	9.2	M12x1.5			
IDC UC216-80MM		80	5-33/64	3-1/4	1-17/64	1-5/16	1-15/16	15/32	3/8	7/16-20UNF	16074	12185	6.17
IDC UC217-52	3-1/4		140	82.6	32	33.3	49.3	12	9.5	M12x1.5			
IDC UC217-85MM		85	5-29/32	3-3/8	1-11/32	1-11/32	2-1/32	15/32	13/32	7/16-20UNF	18772	14388	8.11
IDC UC218-56	3-1/2		150	85.7	34	34.1	51.6	12	10.2	M12x1.5			
IDC UC218-90MM		90	6-19/64	3-25/32	1-27/64	1-9/16	2-7/32	15/32	7/16	1/2-20UNF	21582	16074	9.85
IDC UC220-64	4		160	96	36	39.7	56.3	12	11.2	M14 x 2			
IDC UC220-100MM		100	7-3/32	4-1/4	1-37/64	1-21/32	2-19/32	5/8	15/32	5/8-18UNF	27426	20861	12.78
IDC UC220-100MM		100	180	108	40	42	66	16	12.1	M16X1.5			

Dual seal standard. Triple lip seal (R3 suffix) optional. Also available in free spinning design and/or with black oxide finish.

INSERTS

HC STANDARD DUTY ECCENTRIC LOCKING COLLAR TYPE

- Wide inner ring bearing
- Lubrication groove with hole on collar side
- Additional oil hole on opposite side
- Anti-rotation device
- Dual seal



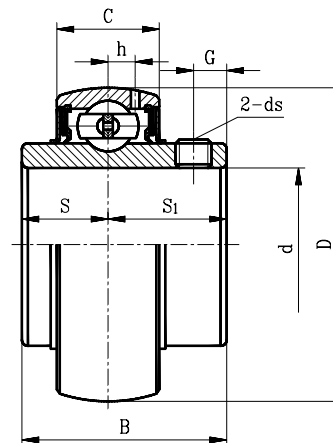
Part No.	Shaft Dia. d		Dimension (in) (mm)								Eccentric collar	Basic load rating (lb)		Weight (lb)	
	(in)	(mm)	D	B	C	S	B ₁	B ₃	h	d ₁		Dynamic	Static		
IDC HC201S		12										A201S			
IDC HC201-8S	1/2											201-8S			
IDC HC202S		15	1-37/64	1-3/32	35/64	35/64	1-15/32	17/32	9/64	1-1/8		202S	2146	1074	0.51
IDC HC202-10S	5/8		40	27.8	14	13.9	37.3	13.5	3.5	28.6		202-10S			
IDC HC203S		17										203S			
IDC HC203-11S	11/16											203-11S			
IDC HC201-8	1/2											A201-8			
IDC HC202-10	5/8											202-10			
IDC HC201-12MM		12										201			
IDC HC202-15MM		15	1-39/64	1-11/32	43/64	43/64	1-23/32	17/32	3/16	1-5/16		202	2878	1495	0.64
IDC HC203-17MM		17	47	34.2	17	17.1	43.7	13.5	4.8	33.3		203			
IDC HC203-11	11/16											203-11			
IDC HC204-20MM		20										204			
IDC HC204-12	3/4											204-12			
IDC HC205-14	7/8											A205-14			
IDC HC205-15	15/16		2-3/64	1-3/8	43/64	11/16	1-3/4	17/32	3/16	1-1/2		205-15	3147	1765	0.68
IDC HC205-25MM		25	52	34.9	17	17.5	44.4	13.5	4.8	38.1		205			
IDC HC205-16	1											205-16			
IDC HC206-17	1-1/16											A206-17			
IDC HC206-18	1-1/8											206-18			
IDC HC206-30MM		30	2-7/16	1-7/16	3/4	23/32	1-29/32	5/8	15/64	1-3/4		206	4386	2540	1.10
IDC HC206-19	1-3/16		62	36.5	19	18.3	48.4	15.9	6	44.5		206-19			
IDC HC206-20	1-1/4											206-20			
IDC HC207-20	1-1/4											A207-20			
IDC HC207-21	1-5/16		2-53/64	1-31/64	25/32	47/64	2-1/64	11/16	17/64	2-3/16		207-21	5778	3440	1.48
IDC HC207-22	1-3/8		72	37.6	20	18.8	51.1	17.5	6.8	55.6		207-22			
IDC HC207-35MM		35										207			
IDC HC207-23	1-7/16											207-23			
IDC HC208-24	1-1/2		3-5/32	1-11/16	53/64	27/32	2-7/32	23/32	17/64	2-3/8		A208-24			
IDC HC208-25	1-9/16		80	42.8	21	21.4	56.3	18.3	6.8	60.3		208-25	6632	4069	1.85
IDC HC208-40MM		40										208			
IDC HC209-26	1-5/8											A209-26			
IDC HC209-27	1-11/16		3-11/32	1-11/16	55/64	27/32	2-7/32	23/32	17/64	2-1/2		209-27	7104	4631	2.12
IDC HC209-28	1-3/4		85	42.8	22	21.4	56.3	18.3	6.8	63.5		209-28			
IDC HC209-45MM		45										209			
IDC HC210-30	1-7/8											A210-30			
IDC HC210-31	1-15/16		3-35/64	1-15/16	15/16	31/32	2-15/32	23/32	17/64	2-3/4		210-31	7868	5216	2.38
IDC HC210-50MM		50	90	49.2	24	24.6	62.7	18.3	6.8	69.9		210			
IDC HC210-32	2											210-32			
IDC HC211-32	2											A211-32			
IDC HC211-34	2-1/8		3-15/16	2-3/16	63/64	1-3/32	2-13/16	13/16	5/16	3		211-34	9779	6564	3.35
IDC HC211-55MM		55	100	55.5	25	27.8	71.4	20.7	8	76.2		211			
IDC HC211-35	2-3/16											211-35			
IDC HC212-36	2-1/4											A212-36			
IDC HC212-38	2-3/8		4-21/64	2-7/16	1-1/16	1-7/32	3-1/16	7/8	5/16	3-5/16		212-38	10723	7396	4.50
IDC HC212-60MM		60	110	61.9	27	31	77.8	22.3	8	84.2		212			
IDC HC212-39	2-7/16											212-39			
IDC HC213-40	2-1/2		4-23/32	2-45/64	1-7/64	1-11/32	3-3/8	59/64	21/64	3-25/64		A213-40			
IDC HC213-65MM		65	120	68.6	28	34.1	85.7	23.5	8.5	86		213	12927	8992	5.53
IDC HC214-43	2-11/16											A214-43			
IDC HC214-44	2-3/4		4-59/64	2-45/64	1-7/64	1-11/32	3-3/8	59/64	21/64	3-35/64		214-44	13668	10116	5.91
IDC HC214-70MM		70	125	68.6	28	34.1	85.7	23.5	8.5	86		214			
IDC HC215-47	2-15/16		5-1/8	2-61/64	1-3/16	1-15/32	3-5/8	59/64	21/64	4-1/64		A215-47			
IDC HC215-48	3		130	75	30	37.3	92.1	23.5	8.5	102		215-48	14837	11128	6.35
IDC HC215-75MM		75										215			
IDC HC216-80MM		80	5-33/64	2-15/16	1-19/64	1-15/32	3-3/4	1-1/16	7/16	4-11/16		A216	16073	12184	6.86
IDC HC217-85MM		85	140	74.6	33	37.3	95.2	27	11	119					
IDC HC217-52	3-1/4		5-29/32	2-3/32	1-3/8	1-11/16	4-1/16	1-1/16	7/16	4-11/16		A217	18703	14342	7.92
IDC HC218-56	3-1/2		150	53.2	35	43	103.2	27	11	119		217-52			
IDC HC218-90MM		90	6-19/64	2-11/64	1-29/64	1-47/64	4-27/64	15/16	15/32	4-23/32		A218-56	21558	16073	10.03
IDC HC218-90MM		90	160	55	37	44	112.5	24	12	120		218			

Dual seal standard. Triple lip seal (R3 suffix) optional. Also available in free spinning design and/or with black oxide finish.

IDC SELECT® BEARINGS

INSERTS

UCX MEDIUM DUTY SETSCREW LOCKING TYPE



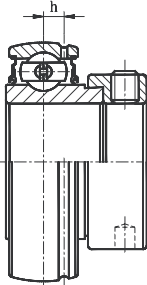
- Wide inner ring bearing
- Lubrication groove with hole on setscrew side
- Additional oil hole on opposite side
- Anti-rotation device
- Dual seal

Part No.	Shaft Dia. d		Dimension (in) (mm)								Basic load rating (lb)		Weight (lb)
	(in)	(mm)	D	B	C	S	S ₁	G	h	ds	Dynamic	Static	
IDC UCX05-16	1		2-7/16	1-1/2	3/4	5/8	7/8	13/64	13/64	1/4-28	4384	2540	0.86
IDC UCX05-25MM		25	62	38.1	19	15.9	22.2	5	5	M6x1			
IDC UCX06-19	1-3/16		2-53/64	1-11/16	25/32	11/16	1	9/32	7/32	5/16-24	5778	3440	1.50
IDC UCX06-20	1-1/4		72	42.9	20	17.5	25.4	7	5.7	M8x1			
IDC UCX06-30MM		30											
IDC UCX07-20	1-1/4												
IDC UCX07-22	1-3/8		3-5/32	1-15/16	53/64	3/4	1-3/16	5/16	1/4	5/16-24	6632	4069	1.81
IDC UCX07-23	1-7/16		80	49.2	21	19	30.2	8	6.2	M8x1			
IDC UCX07-35MM		35											
IDC UCX08-24	1-1/2		3-11/32	1-15/16	55/64	3/4	1-3/16	5/16	1/4	5/16-24	7104	4631	2.05
IDC UCX08-40MM		40	85	49.2	22	19	30.2	8	6.4	M8x1			
IDC UCX09-26	1-5/8												
IDC UCX09-27	1-11/16		3-35/64	2-1/32	15/16	3/4	1-9/32	25/64	1/4	3/8-24	7868	5216	2.20
IDC UCX09-28	1-3/4		90	51.6	24	19	32.6	10	6.5	M10x1			
IDC UCX09-45MM		45											
IDC UCX10-30	1-7/8												
IDC UCX10-31	1-15/16		3-15/16	2-3/16	63/64	7/8	1-5/16	25/64	9/32	3/8-24	9779	6564	2.98
IDC UCX10-32	2		100	55.6	25	22.2	33.4	10	7	M10x1			
IDC UCX10-50MM		50											
IDC UCX11-35	2-3/16		4-21/64	2-9/16	1-1/16	1	1-9/16	25/64	19/64	3/8-24	10723	7396	4.19
IDC UCX11-36	2-1/4		110	65.1	27	25.4	39.7	10	7.6	M10x1			
IDC UCX11-55MM		55											
IDC UCX12-38	2-3/8		4-23/32	2-9/16	1-7/64	1	1-9/16	25/64	21/64	3/8-24	12927	8992	5.00
IDC UCX12-39	2-7/16		120	65.1	28	25.4	39.7	10	8.5	M10x1			
IDC UCX12-60MM		60											
IDC UCX13-40	2-1/2		4-59/64	2-15/16	1-9/64	1-3/16	1-3/4	15/32	11/32	1/2-20	13668	10116	5.40
IDC UCX13-65MM		65	125	74.6	29	30.2	44.4	12	8.9	M12x1.5			
IDC UCX14-13	2-11/16		5-1/8	3-1/16	1-3/16	1-5/16	1-3/4	15/32	23/64	1/2-20	14837	11128	5.45
IDC UCX14-44	2-3/4		130	77.8	30	33.3	44.5	12	9.2	M12x1.5			
IDC UCX14-70MM		70											
IDC UCX15-47	2-15/16		5-33/64	3-1/4	1-17/64	1-5/16	1-15/16	15/32	3/8	1/2-20	16074	12185	6.86
IDC UCX15-48	3		140	82.6	32	33.3	49.3	12	9.5	M12x1.5			
IDC UCX15-75MM		75											

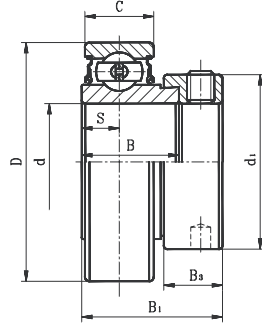
Dual seal standard. Triple lip seal (R3 suffix) optional. Also available in free spinning design and/or with black oxide finish.

SA LIGHT DUTY ECCENTRIC LOCKING COLLAR TYPE

CSA LIGHT DUTY CYLINDRICAL O.D. TYPE



SA
(WITH G SUFFIX)



CSA



- Narrow inner ring bearing
- Lubrication groove with hole on collar side and additional oil hole on opposite side (G suffix)

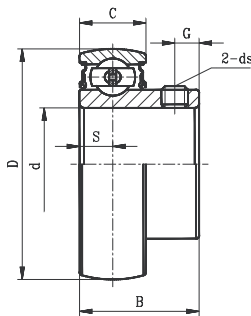
Part No.	Shaft Dia. d		Dimension (in) (mm)								Basic load rating (lb)		Weight (lb)	
	(in)	(mm)	D	C	B	B ₁	S	h	B ₃	d ₁	Dynamic	Static		
IDC SA201-8	1/2													
IDC SA202-10	5/8													
IDC SA201-12MM		12	1-37/64	15/32	3/4	1-1/8	1/4	9/64	17/32	1-1/8	2158	1034	0.26	
IDC SA202-15MM		15	40	12	19.1	28.6	6.5	3.6	13.5	28.6				
IDC SA203-17MM		17												
IDC SA203-11	11/16													
IDC CSA104-12	3/4		1-21/32	15/32	41/64	1-3/64	15/64		33/64	1-19/64	2100	1120	0.26	
			42	12	16.14	26.42	6.0		13.2	33.0				
IDC SA204-12	3/4		1-27/32	35/64	27/32	1-7/32	19/64	5/32	17/32	1-5/16	2878	1495	0.35	
IDC SA204-20MM		20	47	14	21.5	31	7.5	4.0	13.5	33.3				
IDC SA205-14	7/8													
IDC SA205-15	15/16		2-3/64	19/32	27/32	1-7/32	19/64	11/64	17/32	1-1/2	3147	1765	0.46	
IDC SA205-25MM		25	52	15	21.5	31	7.5	4.3	13.5	38.1				
IDC SA205-16	1													
IDC SA206-18	1-1/8													
IDC SA206-30MM		30	2-7/16	5/8	15/16	1-13/32	23/64	13/64	5/8	1-3/4	4384	2540	0.68	
IDC SA206-19	1-3/16		62	16	23.8	35.7	9	5.0	15.9	44.5				
IDC SA206-20	1-1/4													
IDC SA207-20	1-1/4													
IDC SA207-21	1-5/16													
IDC SA207-22	1-3/8		2-53/64	43/64	1	1-17/32	3/8	7/32	11/16	2-3/16	5778	3440	1.01	
IDC SA207-35MM		35	72	17	25.4	38.9	9.5	5.7	17.5	55.6				
IDC SA207-23	1-7/16													
IDC SA208-24	1-1/2													
IDC SA208-25	1-9/16		3-5/32	45/64	1-3/16	1-23/32	7/16	1/4	23/32	2-3/8	6632	4069	1.32	
IDC SA208-40MM		40	80	18	30.2	43.7	11	6.2	18.3	60.3				
IDC SA209-26	1-5/8													
IDC SA209-27	1-11/16		3-11/32	3/4	1-3/16	1-23/32	7/16	1/4	23/32	2-1/2	7104	4631	1.48	
IDC SA209-28	1-3/4		85	19	30.2	43.7	11	6.5	18.3	63.5				
IDC SA209-45MM		45												
IDC SA210-31	1-7/8													
IDC SA210-32	1-15/16		3-35/64	25/32	1-3/16	1-23/32	7/16	1/4	23/32	2-3/4	7868	5216	1.65	
IDC SA210-50MM		50	90	20	30.2	43.7	11	6.5	18.3	69.9				
IDC SA211-32	2													
IDC SA211-34	2-1/8		3-15/16	53/64	1-9/32	1-29/32	15/32	9/32	13/16	3	9779	6564	2.20	
IDC SA211-55MM		55	100	21	32.5	48.4	12	7.2	20.7	76.2				
IDC SA211-35	2-3/16													
IDC SA212-36	2-1/4													
IDC SA212-38	2-3/8		4-21/64	55/64	1-15/32	2-3/32	17/32	5/16	7/8	3-5/16	10723	7396	2.95	
IDC SA212-39	2-7/16		110	22	37.2	53.1	13.5	8.0	22.3	84.2				
IDC SA212-60MM		60												

Full cover metal shroud seal standard. Full contact rubber seal (2RS suffix) optional. Also available in free spinning design and/or with black oxide finish. Non-relubricatable units also available (remove G suffix).

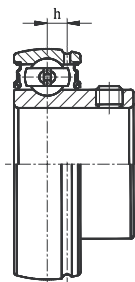
IDC SELECT® BEARINGS

INSERTS

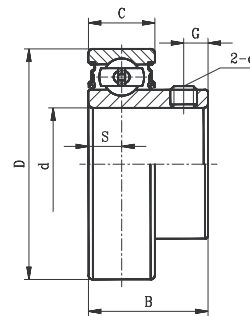
SB LIGHT DUTY SETSCREW LOCKING TYPE CSB LIGHT DUTY CYLINDRICAL O.D. TYPE



SB



**SB
(WITH G SUFFIX)**



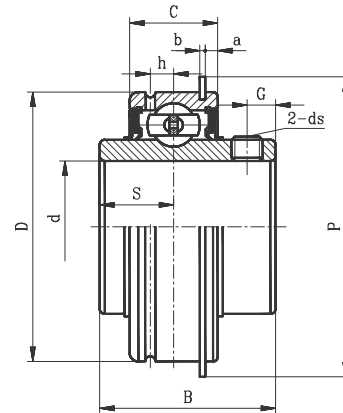
CSB

- Narrow inner ring bearing
- Lubrication groove with hole on collar side and additional oil hole on opposite side (G suffix)

Part No.	Shaft Dia. d		Dimension (in) (mm)							Basic load rating (lb)		Weight (lb)
	(in)	(mm)	D	B	C	S	h	G	ds	Dynamic	Static	
IDC SB201-8	1/2											
IDC SB202-10	5/8											
IDC SB201-12MM		12	1-37/64	55/64	15/32	15/64	9/64	11/64	10-32UNF	2158	1034	0.22
IDC SB202-15MM		15	40	22	12	6	3.6	4.5	M5 x 0.8			
IDC SB203-17MM		17										
IDC SB203-11	11/16											
IDC SB204-12	3/4		1-27/32	63/64	35/64	9/32	5/32	11/64	1/4-28UNF	2878	1495	0.31
IDC SB204-20MM		20	47	25	14	7	4	4.5	M6x1			
IDC SB205-14	7/8											
IDC SB205-15	15/16		2-3/64	1-1/16	19/32	19/64	11/64	7/32	1/4-28UNF	3147	1765	0.40
IDC SB205-25MM		25	52	27	15	7.5	4.3	5.5	M6x1			
IDC SB205-16	1											
IDC SB206-18	1-1/8											
IDC SB206-30MM		30	2-7/16	1-3/16	5/8	5/16	13/64	15/64	1/4-28UNF	4384	2540	0.57
IDC SB206-19	1-3/16		62	30	16	8	5	6	M6x1			
IDC SB206-20	1-1/4											
IDC SB207-20	1-1/4											
IDC SB207-21	1-5/16											
IDC SB207-22	1-3/8		2-53/64	1-17/64	43/64	21/64	7/32	1/4	5/16-24UNF	5778	3440	0.95
IDC SB207-35MM		35	72	32	17	8.5	5.7	6.5	M8x1			
IDC SB207-23	1-7/16											
IDC SB208-24	1-1/2		3-5/32	1-11/32	45/64	23/64	1/4	9/32	5/16-24UNF	6632	4069	1.32
IDC SB208-25	1-9/16		80	34	18	9	6.2	7	M8x1			
IDC SB208-40MM		40										
IDC SB209-26	1-5/8											
IDC SB209-27	1-11/16		3-11/32	1-5/8	3/4	13/32	1/4	21/64	5/16-24UNF	7160	4700	1.50
IDC SB209-28	1-3/4		85	41.2	19	10.2	6.5	8.2	M8X1			
IDC SB209-45MM		45										
IDC SB210-30	1-7/8		3-35/64	1-23/32	25/32	27/64	1/4	23/64	5/16-24UNF	7900	5200	1.76
IDC SB210-31	1-15/16		90	43.5	20	10.9	6.5	9.2	M8X1			
IDC SB210-50MM		50										
IDC SB211-32	2											
IDC SB211-34	2-1/8		3-15/16	1-25/32	29/32	15/32	9/32	25/64	5/16-24UNF	9800	6600	2.20
IDC SB211-55MM		55	100	45.3	23	11.8	7.2	9.8	M8X1			
IDC SB211-35	2-3/16											
IDC SB212-36	2-1/4											
IDC SB212-60MM		60	4-21/64	2-7/64	15/16	19/32	5/16	25/64	3/8-24UNF	10770	7400	2.86
IDC SB212-39	2-7/16		110	53.7	24	14.9	8	9.8	M10X1.25			

Full cover metal shroud seal standard. Full contact rubber seal (2RS suffix) optional. Also available in free spinning design and/or with black oxide finish. Non-relubricatable units also available (remove G suffix).

SER STANDARD DUTY CYLINDRICAL OD SET SCREW TYPE WITH SNAP RING AND GROOVE



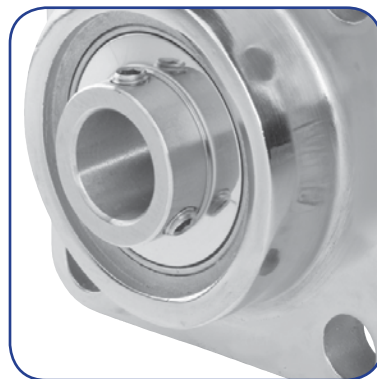
- Wide inner ring bearing
- Snap ring on set screw side
- Lubrication groove with hole on opposite side
- Dual seal

Part No.	Shaft Dia. d		Dimension (in) (mm)										Basic load rating (lb)		Weight (lb)	
	(in)	(mm)	D	B	C	S	a	b	p	G	h	ds	Dynamic	Static		
IDC SER8	1/2															
IDC SER10	5/8															
IDC SER12MM		12														
IDC SER15MM		15	1-27/32	1-7/32	5/8	13/32	3/32	3/64	2-5/64	3/16	11/64	1/4-28UNF	2878	1495	0.49	
IDC SER17MM		17	47	31	15.9	10.3	2.46	1.12	52.7	4.8	4.4	M6x1				
IDC SER11	11/16															
IDC SER12	3/4															
IDC SER20MM		20														
IDC SER144	7/8															
IDC SER15	15/16		2-3/64	1-3/8	3/4	33/64	3/32	3/64	2-9/32	13/64	11/64	1/4-28UNF	3147	1765	0.60	
IDC SER25MM		25	52	34.9	19	13.1	2.46	1.12	57.9	5	4.5	M6x1				
IDC SER16	1															
IDC SER18	1-1/8															
IDC SER30MM		30	2-7/16	1-1/2	7/8	5/8	1/8	1/16	2-43/64	13/64	13/64	1/4-28UNF	4384	2540	0.86	
IDC SER19	1-3/16		62	38.1	22.2	15.9	3.28	1.7	67.7	5	5.3	M6x1				
IDC SER20S	1-1/4															
IDC SER20	1-1/4															
IDC SER21	1-5/16															
IDC SER22	1-3/8		2-53/64	1-11/16	15/16	11/16	1/8	1/16	3-3/32	17/64	15/64	5/16-24UNF	5778	3440	1.39	
IDC SER35MM		35	72	42.9	23.8	17.5	3.28	1.7	78.6	6.7	5.8	M8x 1				
IDC SER23	1-7/16															
IDC SER24	1-1/2															
IDC SER25	1-9/16		3-5/32	1-15/16	1-3/32	3/4	1/8	1/16	3-13/32	5/16	1/4	5/16-24UNF	6632	4069	1.79	
IDC SER40MM		40	80	49.2	27.8	19	3.28	1.7	86.6	8	6.3	M8x 1				
IDC SER26	1-5/8															
IDC SER27	1-11/16		3-11/32	1-15/16	1-3/32	3/4	1/8	1/16	3-39/64	5/16	19/64	5/16-24UNF	7104	4631	1.98	
IDC SER28	1-3/4		85	49.2	27.8	19	3.28	1.7	91.6	8	7.5	M8x 1				
IDC SER45MM		45														
IDC SER30	1-7/8															
IDC SER31	1-15/16		3-35/64	2-1/32	1-1/8	3/4	1/8	3/32	3-51/64	25/64	17/64	3/8-24UNF	7868	5216	2.16	
IDC SER50MM		50	90	51.6	28.6	19	3.28	2.46	96.5	10	6.8	M10x1				
IDC SER32	2															
IDC SER34	2-1/8		3-15/16	2-3/16	1-3/16	7/8	1/8	3/32	4-3/16	25/64	19/64	3/8-24UNF	9779	6564	3.09	
IDC SER55MM		55	100	55.6	30.2	22.2	3.28	2.46	106.5	10	7.6	M10x1				
IDC SER35	2-3/16															
IDC SER36	2-1/4															
IDC SER38	2-3/8															
IDC SER60MM		60	4-21/64	2-9/16	1-1/4	1	1/8	3/32	4-19/32	25/64	21/64	3/8-24UNF	10723	7396	4.17	
IDC SER39	2-7/16		110	65.1	31.8	25.4	3.28	2.46	116.6	10	8.4	M10x1				
IDC SER40	2-1/2															
IDC SER43	2-11/16		4-59/64	2-15/16	1-3/8	1-3/16	5/32	7/64	5-19/64	15/32	23/64	7/16-20UNF	13700	10100	5.54	
IDC SER70MM		70	125	74.6	35	30.2	3.96	2.77	134.7	12	9	M12X1.25				
IDC SER46	2-7/8															
IDC SER47	2-15/16		5-1/8	3-1/16	1-1/2	1-5/16	5/32	7/64	5-1/2	15/32	3/8	7/16-20UNF	14900	11100	6.36	
IDC SER75MM		75	130	77.8	38.1	33.3	3.96	2.77	139.7	12	9.5	M12X1.25				

* Also available in free spinning design and/or with black oxide finish. Contact IDC Select® for more information.

WASHDOWN

IDC Select® offers corrosion resistant units for applications requiring clean operating environments and frequent washdowns such as food processing, packaging, pharmaceutical production and handling. IDC Select® stainless steel units feature a high quality 304 stainless steel housing and wide inner ring bearing, solid base and smooth electropolished surfaces. Thermoplastic units are produced with a glass reinforced PBT housing and offer favorable mechanical, thermal and electrical properties. They feature a solid base, stainless steel wide inner ring bearing and bolt grommets. Both designs are lubricated with food grade grease.



BEARING FEATURES

IDC Select® bearings offer several solutions for applications that require a clean operating environment and frequent washdowns, such as food processing, packaging, pharmaceutical production and handling. We also offer solutions for applications subject to corrosive elements such as those found in photo and film processing, dyeing and printing, textile finishing, fertilizer manufacturing and chemical processing.

SSUC STAINLESS STEEL INSERTS

The most common solution for hostile washdown applications is IDC Select's SSUC series all-stainless inserts. Compared to competitive washdown units using coated rings with stainless components, they feature 100% stainless steel construction for maximum corrosion resistance.

Materials are composed of:

Rings and balls	440 stainless steel
Retainer	302 stainless steel
Slinger and seal frame	302 stainless steel
Setscrews	302 stainless steel

SSUC inserts come standard with dual seals and NSF H1 registered food grade grease (Nevastane HT/AW). Other lubricants can be supplied upon request to meet specific application requirements.

SSER STAINLESS STEEL INSERTS

SSER units are designed for corrosive applications requiring cylindrical OD inserts. They have the same material composition as SSUC inserts.

STAINLESS STEEL HOUSINGS

The most effective solution for highly corrosive applications are IDC Select® stainless steel housings constructed of high quality 304 stainless steel. To prevent and reduce surface residual contamination, they feature smooth polished surfaces and solid bases. Stainless steel housings can be configured to accept end caps.

THERMOPLASTIC HOUSINGS

Constructed from glass reinforced PBT, IDC Select® thermoplastic housings provide proven protection from corrosive elements and offer favorable mechanical, thermal and electrical properties. White PBT housings are standard; black or green PBT can be supplied upon request. Housings include stainless steel bolt hole grommets and stainless steel grease nipples. Most styles accept end caps.

END CAPS

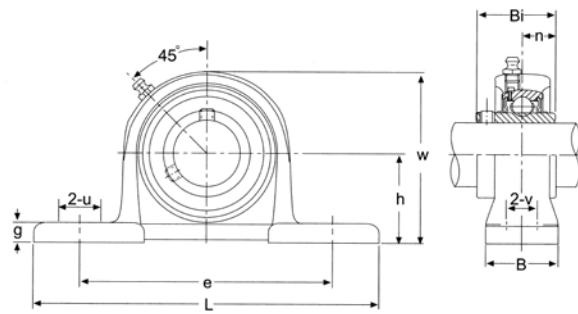
Closed end caps can be supplied for additional protection from contamination.

IDC SELECT® BEARINGS

WASHDOWN/CORROSION RESISTANT UNITS

UCPSS PILLOW BLOCKS

WASHDOWN



- Stainless steel housing - solid base
- Stainless steel wide inner ring bearing

UCPSS

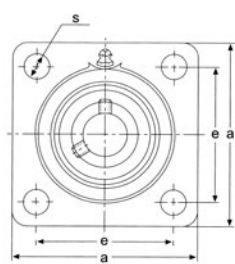
Part No.	Shaft Dia. d		Dimension (in) (mm)										Bolt Size (in)	Bearing No.	Housing No.	Weight (lb)
	(in)	(mm)	h	L	e	B	v	u	g	w	Bi	n				
IDC UCPSS204-12	3/4		1-5/16	5	3-47/64	1-3/16	33/64	3/4	35/64	2-33/64	1-7/32	1/2	3/8	SSUC204-12	SP204	1.57
IDC UCPSS204-20MM		20	33.3375	127	95	30	13	19	14	64	31	12.7		204-20MM		
IDC UCPSS205-13	13/16												3/8	SSUC205-13	SP205	1.81
IDC UCPSS205-14	7/8													205-14		
IDC UCPSS205-25MM		25	1-7/16	5-33/64	4-9/64	1-3/16	33/64	3/4	19/32	2-3/4	1-11/32	9/16	3/8	205-25MM	SP205	1.81
IDC UCPSS205-15	15/16		36.5125	140	105	30	13	19	15	70	34.1	14.3		205-15		
IDC UCPSS205-16	1												1/2	205-16	SP206	2.89
IDC UCPSS206-17	1-1/16													SSUC206-17		
IDC UCPSS206-18	1-1/8												1/2	206-18	SP206	2.89
IDC UCPSS206-30MM		30	1-11/16	6-1/2	4-49/64	1-27/64	43/64	53/64	5/8	3-15/64	1-1/2	5/8		206-30MM		
IDC UCPSS206-19	1-3/16		42.8625	165	121	36	17	21	16	82	38.1	15.9	1/2	206-19	SP206	2.89
IDC UCPSS206-20	1-1/4													206-20		
IDC UCPSS207-20	1-1/4												1/2	SSUC207-20	SP207	3.64
IDC UCPSS207-21	1-5/16													207-21		
IDC UCPSS207-35MM		35	1-7/8	6-37/64	5	1-1/2	43/64	53/64	43/64	3-5/8	1-11/16	11/16	1/2	207-35MM	SP207	3.64
IDC UCPSS207-22	1-3/8		47.625	167	127	38	17	21	17	92	42.9	17.5		207-22		
IDC UCPSS207-23	1-7/16												1/2	207-23	SP208	4.41
IDC UCPSS208-24	1-1/2													SSUC208-24		
IDC UCPSS208-25	1-9/16		1-15/16	7-1/4	5-25/64	1-37/64	43/64	55/64	45/64	3-55/64	1-15/16	3/4	1/2	208-25	SP208	4.41
IDC UCPSS208-40MM		40	49.2125	184	137	40	17	22	18	98	49.2	19		208-40MM		
IDC UCPSS209-26	1-5/8												1/2	SSUC209-26	SP209	4.98
IDC UCPSS209-27	1-11/16		2-1/8	7-31/64	5-3/4	1-37/64	43/64	55/64	25/32	4-9/64	1-15/16	3/4		209-27		
IDC UCPSS209-45MM		45	53.975	190	146	40	17	22	20	105	49.2	19	1/2	209-45MM	SP209	4.98
IDC UCPSS209-28	1-3/4													209-28		
IDC UCPSS210-29	1-13/16												5/8	SSUC210-29	SP210	6.17
IDC UCPSS210-30	1-7/8													210-30		
IDC UCPSS210-50MM		50	2-1/4	8-7/64	6-17/64	1-49/64	25/32	63/64	55/64	4-13/32	2-1/32	3/4	5/8	210-50MM	SP210	6.17
IDC UCPSS210-31	1-15/16		57.15	206	159	45	20	25	22	112	51.6	19		210-31		
IDC UCPSS210-32	2												5/8	210-32	SP211	8.44
IDC UCPSS211-32	2													SSUC211-32		
IDC UCPSS211-34	2-1/8		2-1/2	8-37/64	6-47/64	1-31/32	25/32	63/64	55/64	4-61/64	2-3/16	7/8	5/8	211-34	SP211	8.44
IDC UCPSS211-55MM		55	63.5	218	171	50	20	25	22	126	55.6	22.2		211-55MM		
IDC UCPSS211-35	2-3/16												5/8	211-35	SP212	11.75
IDC UCPSS212-36	2-1/4													SSUC212-36		
IDC UCPSS212-38	2-3/8		2-3/4	9-3/8	7-1/4	2-23/64	25/32	63/64	63/64	5-25/64	2-9/16	1	5/8	212-38	SP212	11.75
IDC UCPSS212-60MM		60	69.85	238	184	60	20	25	25	137	65.1	25.4		212-60MM		
IDC UCPSS212-39	2-7/16												5/8	212-39	SP212	11.75

Lubricated with food grade grease.

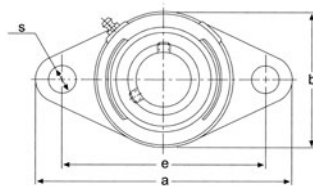
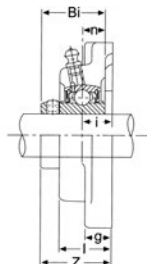
IDC SELECT® BEARINGS

WASHDOWN/CORROSION RESISTANT UNITS

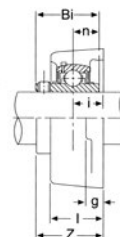
WASHDOWN



UCFSS



UCFLSS



- Stainless steel housing - solid base
- Stainless steel wide inner ring bearing

UCFSS FOUR BOLT FLANGE UNITS

Part No.	Shaft Dia. d		Dimension (in) (mm)									Bolt Size (in)	Bearing No.	Housing No.	Weight (lb)
	(in)	(mm)	a	e	l	g	i	s	z	Bi	n				
IDC UCFSS204-12	3/4		3-25/64	2-33/64	1	7/16	19/32	15/32	1-5/16	1-7/32	1/2	3/8	SSUC204-12	SF204	1.57
IDC UCFSS204-20MM		20	86	64	25.5	11	15	12	33.3	31	12.7		204-20MM		
IDC UCFSS205-14	7/8												SSUC205-14		
IDC UCFSS205-15	15/16		3-47/64	2-3/4	1-7/64	33/64	5/8	15/32	1-13/32	1-11/32	9/16	3/8	205-15	SF205	2.14
IDC UCFSS205-25MM		25	95	70	28	13	16	12	35.8	34.1	14.3		205-25MM		
IDC UCFSS205-16	1												205-16		
IDC UCFSS206-18	1-1/8												SSUC206-18		
IDC UCFSS206-19	1-3/16		4-1/4	3-17/64	1-7/32	33/64	45/64	15/32	1-37/64	1-1/2	5/8	3/8	206-19	SF206	3.11
IDC UCFSS206-30MM		30	108	83	31	13	18	12	40.2	38.1	15.9		206-30MM		
IDC UCFSS206-20	1-1/4												206-20		
IDC UCFSS207-20	1-1/4												SSUC207-20		
IDC UCFSS207-21	1-5/16												207-21		
IDC UCFSS207-35MM		35	4-39/64	3-5/8	1-11/32	19/32	3/4	35/64	1-3/4	1-11/16	11/16	7/16	207-35MM	SF207	4.10
IDC UCFSS207-22	1-3/8		117	92	34	15	19	14	44.4	42.9	17.5		207-22		
IDC UCFSS207-23	1-7/16												207-23		
IDC UCFSS208-24	1-1/2		5-1/8	4-1/64	1-27/64	19/32	53/64	5/8	2-1/64	1-15/16	3/4	1/2	SSUC208-24	SF208	5.07
IDC UCFSS208-40MM		40	130	102	36	15	21	16	51.2	49.2	19		208-40MM		

UCFLSS TWO BOLT FLANGE UNITS

Part No.	Shaft Dia. d	Dimension (in) (mm)										Bolt Size (in)	Bearing No.	Housing No.	Weight (lb)
		a	e	l	g	i	s	b	z	Bi	n				
IDC UCFLSS204-12	3/4	4-29/64	3-35/64	1-1/16	7/16	19/32	15/32	2-23/64	1-5/16	1-7/32	1/2	3/8	SSUC204-12	SFL204	1.10
IDC UCFLSS204-20MM	25/32	113	90	27	11	15	12	60	33.3	31	12.7		204-20MM		
IDC UCFLSS205-13	13/16												SSUC205-13		
IDC UCFLSS205-14	7/8												205-14		
IDC UCFLSS205-25MM	31/32	5-1/8	3-57/64	1-7/64	33/64	5/8	31/64	2-43/64	1-13/32	1-11/32	9/16	9/16	205-25MM	SFL205	1.57
IDC UCFLSS205-15	15/16	130	99	28	13	16	12.5	68	35.8	34.1	14.3		205-15		
IDC UCFLSS205-16	1												205-16		
IDC UCFLSS206-17	1-1/16												SSUC206-17		
IDC UCFLSS206-18	1-1/8												206-18		
IDC UCFLSS206-30MM	1-3/16	5-53/64	4-39/64	1-7/32	33/64	45/64	31/64	3-7/64	1-37/64	1-1/2	5/8	9/16	206-30MM	SFL206	2.29
IDC UCFLSS206-19	1-3/16	148	117	31	13	18	12.5	79	40.2	38.1	15.9		206-19		
IDC UCFLSS206-20	1-1/4												206-20		
IDC UCFLSS207-20	1-1/4												SSUC207-20		
IDC UCFLSS207-21	1-5/16												207-21		
IDC UCFLSS207-35MM	1-3/8	6-11/32	5-1/8	1-11/32	35/64	3/4	35/64	3-35/64	1-3/4	1-11/16	11/16	9/16	207-35MM	SFL207	3.04
IDC UCFLSS207-22	1-3/8	161	130	34	14	19	14	90	44.4	42.9	17.5		207-22		
IDC UCFLSS207-23	1-7/16												207-23		
IDC UCFLSS208-24	1-1/2	6-57/64	5-43/64	1-27/64	35/64	53/64	35/64	3-15/16	2-1/64	1-15/16	3/4	9/16	SSUC208-24	SFL208	3.81
IDC UCFLSS208-40MM	1-9/16	175	144	36	14	21	14	100	51.2	49.2	19		208-40MM		

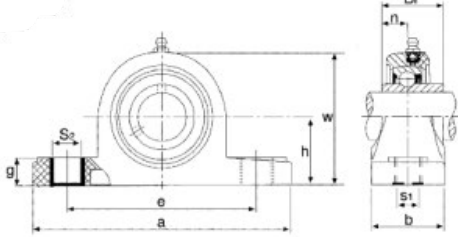
Lubricated with food grade grease.

IDC SELECT® BEARINGS

WASHDOWN/CORROSION RESISTANT UNITS

WASHDOWN

UCPPL PILLOW BLOCKS



UCPPL

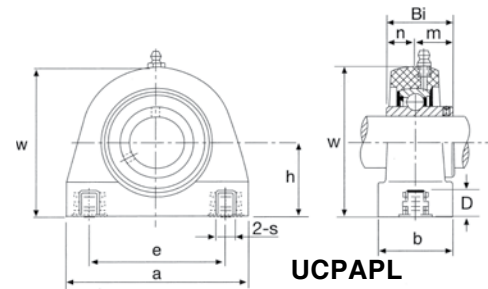


- Reinforced PBT housing - solid base
- Stainless steel wide inner ring bearing

Part No.	Shaft Dia. d		Dimension (in) (mm)										Bolt Size (in)	Bearing No.	Housing No.	Weight (lb)
	(in)	(mm)	h	a	e	b	S ₁	S ₂	g	w	Bi	n				
IDC UCPPL204-12SS	3/4		1-5/16	5	3-47/64	1-1/2	7/16	35/64	9/16	2-37/64	1-7/32	1/2	3/8	SSUC204-12	PPL204	0.64
IDC UCPPL204-20MMSS		20	33.3	127	95	38	11	14	14.2	65.5	31	12.7		204-20MM		
IDC UCPPL205-13SS	13/16													SSUC205-13		
IDC UCPPL205-14SS	7/8		1-7/16	5-17/32	4-9/64	1-1/2	7/16	35/64	9/32	2-13/16	1-11/32	9/16	3/8	205-14	PPL205	0.75
IDC UCPPL205-15SS	15/16		36.5	140.5	105	38	11	14	14.5	71.5	34.1	14.3		205-15		
IDC UCPPL205-16SS	1													205-16		
IDC UCPPL205-25MMSS		25												205-25MM		
IDC UCPPL206-17SS	1-1/16													SSUC206-17		
IDC UCPPL206-18SS	1-1/8		1-11/16	6-7/16	4-11/16	1-13/16	35/64	45/64	45/64	3-9/32	1-1/2	5/8	3/8	206-18	PPL206	1.19
IDC UCPPL206-19SS	1-3/16		42.9	163.5	119	46	14	18	17.8	83.5	38.1	15.9		206-19		
IDC UCPPL206-20SS	1-1/4													206-20		
IDC UCPPL206-30MMSS		30												206-30MM		
IDC UCPPL207-20SS	1-1/4													SSUC207-20		
IDC UCPPL207-21SS	1-15/16		1-7/8	6-39/64	5	1-57/64	35/64	45/64	45/64	3-23/32	1-11/16	11/16	7/16	207-21	PPL207	1.72
IDC UCPPL207-22SS	1-3/8		47.6	168	127	48	14	18	18	94.5	42.9	17.5		207-22		
IDC UCPPL207-23SS	1-7/16													207-23		
IDC UCPPL207-35MMSS		35												207-35MM		
IDC UCPPL208-24SS	1-1/2		1-15/16	7-1/4	5-25/64	2-1/8	35/64	45/64	49/64	3-57/64	1-15/16	3/4	7/16	SSUC208-24	PPL208	2.14
IDC UCPPL208-25SS	1-9/16		49.2	184	137	54	14	18	20	99	49.2	19		208-25		
IDC UCPPL208-40MMSS		40												208-40MM		
IDC UCPPL210-29SS	1-13/16													SSUC210-29		
IDC UCPPL210-30SS	1-7/8		2-1/4	8-7/64	6-17/64	2-23/64	43/64	25/32	29/32	4-31/64	2-1/32	3/4	5/8	210-30	PPL210	2.65
IDC UCPPL210-31SS	1-15/16		57.2	206	159	60	17	20	23	114	51.6	19		210-31		
IDC UCPPL210-32SS	2													210-32		

Lubricated with food grade grease.

UCPAPL TAPPED BASE PILLOW BLOCKS - DOMESTIC DIMENSIONS



UCPAPL

Part No.	Shaft Dia. d		Dimension (in) (mm)									Bearing No.	Housing No.	Weight (lb)	
	(in)	(mm)	h	a	e	b	Bolt Size S-UNC	w	D	Bi	n				m
UCPAPL204-12ASS	3/4		1-5/16	2-29/32	2	1-3/8	3/8-16UNC	2-5/8	19/32	1-7/32	1/2	23/32	SSUC204-12	PAPL204	1.21
			33.3	74	50.8	35		66.5	15	31	12.7	18.3			
UCPAPL205-16ASS	1		1-7/16	3-1/64	2	1-9/16	3/8-16UNC	2-29/32	19/32	1-11/32	9/16	25/32	SSUC205-16	PAPL205	1.34
			36.5	76.5	50.8	39.5		74	15	34.1	14.3	19.8			
UCPAPL206-20ASS	1-1/4		1-11/16	4-1/64	3	1-11/16	7/16-14UNC	3-21/64	45/64	1-1/2	5/8	7/8	SSUC206-20	PAPL206	1.96
			42.9	102	76.2	43		84.5	18	38.1	15.9	22.2			
UCPAPL207-20ASS	1-1/4		1-7/8	4-21/64	3-1/4	1-7/8	1/2-13UNC	3-47/64	25/32	1-11/16	11/16	1	SSUC207-20	PAPL207	2.89
			47.6	110	82.6	47.5		95	20	42.9	17.5	25.4			
UCPAPL207-23ASS	1-7/16		1-7/8	4-21/64	3-1/4	1-7/8	1/2-13UNC	3-47/64	25/32	1-11/16	11/16	1	SSUC207-23	PAPL207	2.89
			47.6	110	82.6	47.5		95	20	42.9	17.5	25.4			
UCPAPL208-24ASS	1-1/2		1-15/16	4-49/64	3-1/2	1-57/64	1/2-13UNC	3-61/64	25/32	1-15/16	3/4	1-3/16	SSUC208-24	PAPL208	3.44
			49.2	121	88.9	48		100.5	20	49.2	19	30.2			

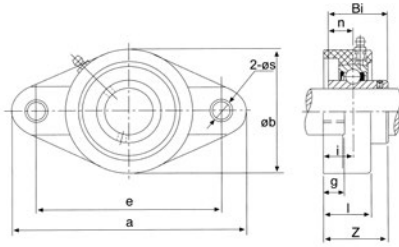
Lubricated with food grade grease.

IDC SELECT® BEARINGS

WASHDOWN/CORROSION RESISTANT UNITS

WASHDOWN

UCFLPL TWO BOLT FLANGE UNITS



UCFLPL

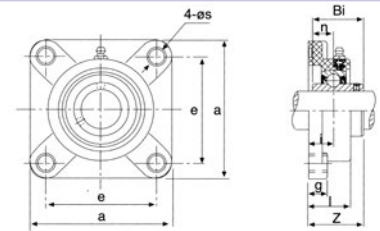


- Reinforced PBT housing - solid base
- Stainless steel wide inner ring bearing

Part No.	Shaft Dia. d		Dimension (in) (mm)										Bolt Size (in)	Bearing No.	Housing No.	Weight (lb)
	(in)	(mm)	a	e	b	g	l	s	z	i	Bi	n				
IDC UCFLPL204-12SS	3/4		4-29/64	3-35/64	2-33/64	29/64	1-3/64	7/16	1-21/64	39/64	1-7/32	1/2	3/8	SSUC204-12 204-20MM	FLPL204	0.53
IDC UCFLPL204-20MMSS		20	113	90	64	11.4	26.5	11	33.7	15.4	31	12.7				
IDC UCFLPL205-13SS	13/16												3/8	SSUC205-13 205-14 205-15 205-16 205-25MM	FLPL205	0.66
IDC UCFLPL205-14SS	7/8		5-5/32	3-57/64	2-47/64	35/64	1-5/32	7/16	1-7/16	43/64	1-11/32	9/16				
IDC UCFLPL205-15SS	15/16		131	99	69.5	14	29.5	11	36.7	17	34.1	14.3	3/8	SSUC206-17 206-18 206-19 206-20 206-30MM	FLPL206	0.99
IDC UCFLPL205-16SS	1	25														
IDC UCFLPL205-25MMSS		25											3/8	SSUC206-17 206-18 206-19 206-20 206-30MM	FLPL206	0.99
IDC UCFLPL206-17SS	1-1/16		5-53/64	4-39/64	3-5/32	35/64	1-13/64	7/16	1-5/8	3/4	1-1/2	5/8				
IDC UCFLPL206-18SS	1-1/8		148	117	80	14	30.5	11	41.2	19	38.1	15.9	3/8	SSUC207-20 207-21 207-22 207-23 207-35MM	FLPL207	1.46
IDC UCFLPL206-19SS	1-3/16		6-29/64	5-1/8	3-35/64	5/8	1-19/64	33/64	1-45/64	45/64	1-11/16	11/16				
IDC UCFLPL206-20SS	1-1/4		164	130	90	16	32.8	13	43.4	18	42.9	17.5	7/16	SSUC208-24 208-25 208-40MM	FLPL208	1.92
IDC UCFLPL206-30MMSS		30														
IDC UCFLPL207-20SS	1-1/4		6-29/64	5-1/8	3-35/64	5/8	1-19/64	33/64	1-45/64	45/64	1-11/16	11/16	7/16	SSUC207-20 207-21 207-22 207-23 207-35MM	FLPL207	1.46
IDC UCFLPL207-21SS	1-5/16		6-29/64	5-1/8	3-35/64	5/8	1-19/64	33/64	1-45/64	45/64	1-11/16	11/16				
IDC UCFLPL207-22SS	1-3/8		164	130	90	16	32.8	13	43.4	18	42.9	17.5	7/16	SSUC208-24 208-25 208-40MM	FLPL208	1.92
IDC UCFLPL207-23SS	1-7/16		6-57/64	5-43/64	3-57/64	25/32	1-15/32	35/64	2-1/32	27/32	1-15/16	3/4				
IDC UCFLPL207-35MMSS		35											7/16	SSUC208-24 208-25 208-40MM	FLPL208	1.92
IDC UCFLPL208-24SS	1-1/2		175	144	99	20	37.5	14	51.7	21.5	49.2	19				
IDC UCFLPL208-25SS	1-9/16		175	144	99	20	37.5	14	51.7	21.5	49.2	19	7/16	SSUC208-24 208-25 208-40MM	FLPL208	1.92
IDC UCFLPL208-40MMSS		40														

Lubricated with food grade grease.

UCFPL FOUR BOLT FLANGE UNITS



UCFPL

Part No.	Shaft Dia. d		Dimension (in) (mm)										Bolt Size (in)	Bearing No.	Housing No.	Weight (lb)
	(in)	(mm)	a	e	g	l	s	z	i	Bi	n					
IDC UCFPL204-12SS	3/4		3-25/64	2-1/2	17/32	1-3/32	7/16	1-27/64	45/64	1-7/32	1/2	3/8	SSUC204-12 204-20MM	FPL204	0.64	
IDC UCFPL204-20MMSS		20	86	63.5	13.4	27.8	11	36.3	18	31	12.7					
IDC UCFPL205-13SS	13/16											3/8	SSUC205-13 205-14 205-15 205-16 205-25MM	FPL205	0.79	
IDC UCFPL205-14SS	7/8		3-47/64	2-3/4	37/64	1-7/64	7/16	1-7/16	43/64	1-11/32	9/16					
IDC UCFPL205-15SS	15/16		95	70	14.5	28	11	36.7	17	34.1	14.3	3/8	SSUC206-17 206-18 206-19 206-20 206-30MM	FPL206	1.10	
IDC UCFPL205-16SS	1	25														
IDC UCFPL205-25MMSS		25										3/8	SSUC206-17 206-18 206-19 206-20 206-30MM	FPL206	1.10	
IDC UCFPL206-17SS	1-1/16		4-7/32	3-17/64	37/64	1-15/64	7/16	1-5/8	3/4	1-1/2	5/8					
IDC UCFPL206-18SS	1-1/8		107	83	14.5	31.5	11	41.4	19.2	38.1	15.9	3/8	SSUC207-20 207-21 207-22 207-23 207-35MM	FPL207	1.63	
IDC UCFPL206-19SS	1-3/16		4-39/64	3-5/8	5/8	1-3/8	33/64	1-27/32	27/32	1-11/16	11/16					
IDC UCFPL206-20SS	1-1/4		117	92	16	34.8	13	46.9	21.5	42.9	17.5	7/16	SSUC208-24 208-25 208-40MM	FPL208	2.14	
IDC UCFPL206-30MMSS		30														
IDC UCFPL207-20SS	1-1/4		4-39/64	3-5/8	5/8	1-3/8	33/64	1-27/32	27/32	1-11/16	11/16	7/16	SSUC207-20 207-21 207-22 207-23 207-35MM	FPL207	1.63	
IDC UCFPL207-21SS	1-5/16		4-39/64	3-5/8	5/8	1-3/8	33/64	1-27/32	27/32	1-11/16	11/16					
IDC UCFPL207-22SS	1-3/8		117	92	16	34.8	13	46.9	21.5	42.9	17.5	7/16	SSUC208-24 208-25 208-40MM	FPL208	2.14	
IDC UCFPL207-23SS	1-7/16		5-1/8	4-1/64	43/64	1-15/32	35/64	2-3/32	29/32	1-15/16	3/4					
IDC UCFPL207-35MMSS		35										7/16	SSUC208-24 208-25 208-40MM	FPL208	2.14	
IDC UCFPL208-24SS	1-1/2		130	102	17	37.5	14	53.2	23	49.2	19					
IDC UCFPL208-25SS	1-9/16		130	102	17	37.5	14	53.2	23	49.2	19	7/16	SSUC208-24 208-25 208-40MM	FPL208	2.14	
IDC UCFPL208-40MMSS		40														

Lubricated with food grade grease. UCFB three-bolt flange bracket units also available.

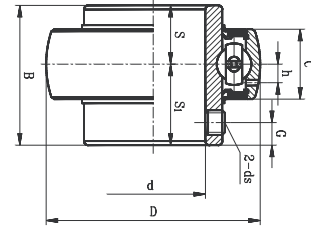
IDC SELECT® BEARINGS

WASHDOWN/CORROSION RESISTANT UNITS

WASHDOWN

SSUC STANDARD DUTY SETSCREW TYPE

- Wide inner ring bearing
- All stainless steel
 - Balls & rings: 440
 - Retainer & slinger: 302
 - Setscrews: 304
- Lubrication groove with hole on setscrew side
- Additional oil hole on opposite side
- Anti-rotation device
- Lubricated with NSF H1 registered food grade grease



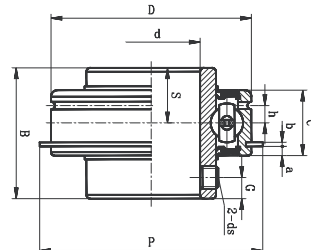
SSUC

Part No.	Shaft Dia. d		Dimension (in) (mm)								Basic load rating (lb)		Weight (lb)	
	(in)	(mm)	D	B	C	S	S ₁	G	h	ds	Dynamic	Static		
IDC SSUC2018-8	1/2													
IDC SSUC202-10	5/8		1-27/32	1-7/32	43/64	1/2	23/32	3/16	9/64	1/4-28UNF	2878	1495	0.35	
IDC SSUC204-12	3/4		47	31	17	12.7	18.3	4.8	3.7	M6x1				
IDC SSUC204-20MM		20												
IDC SSUC205-14	7/8													
IDC SSUC205-15	15/16		2-3/64	1-11/32	43/64	9/16	25/32	13/64	5/32	1/4-28UNF	3147	1765	0.51	
IDC SSUC205-25MM		25	52	34.1	17	14.3	19.8	5	3.9	M6x1				
IDC SSUC205-16	1													
IDC SSUC206-17	1-1/16													
IDC SSUC206-18	1-1/8													
IDC SSUC206-30MM		30												
IDC SSUC206-19	1-3/16		2-7/16	1-1/2	3/4	5/8	7/8	13/64	13/64	1/4-28UNF	4384	2540	0.75	
IDC SSUC206-20	1-1/4		62	38.1	19	15.9	22.2	5	5	M6x1				
IDC SSUC207-20	1-1/4													
IDC SSUC207-21	1-5/16													
IDC SSUC207-22	1-3/8		2-53/64	1-11/16	25/32	11/16	1	9/32	7/32	5/16-24UNF	5778	3440	1.19	
IDC SSUC207-35MM		35	72	42.9	20	17.5	25.4	7	5.7	M8x1				
IDC SSUC207-23	1-7/16													
IDC SSUC208-24	1-1/2		3-5/32	1-15/16	53/64	3/4	1-3/16	5/16	1/4	5/16-24UNF	6632	4070	1.50	
IDC SSUC208-25	1-9/16													
IDC SSUC208-40MM		40	80	49.2	21	19	30.2	8	6.2	M8x1				

Stainless steel narrow inner ring inserts (SB) and eccentric locking collar style inserts (HC&SA) may also be available.

SSER STAINLESS STEEL STANDARD DUTY CYLINDRICAL O.D. SETSCREW TYPE WITH SNAP RING AND GROOVE

- Wide inner ring bearing
- All stainless steel
 - Balls & rings: 440 stainless steel
 - Retainer & slinger: 302 stainless steel
 - Setscrews: 304 stainless steel
- Lubricated with NSF H1 registered food grade grease
- Snap ring on setscrew side
- Lubrication groove with hole on opposite side
- Dual seal
- Silicone seals

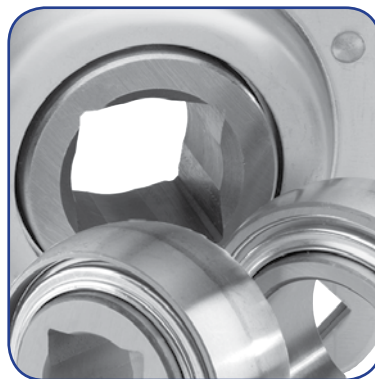
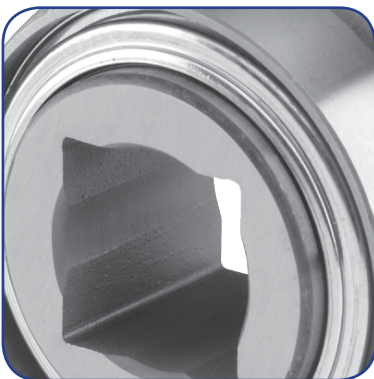


SSER

Part No.	Shaft Dia. d		Dimension (in) (mm)									Basic load rating (lb)		Weight (lb)	
	(in)	(mm)	D	B	C	S	a	b	p	G	h	ds	Dynamic		Static
IDC SSER8	1/2		1-27/32	1-7/32	5/8	13/32	3/32	3/64	2-5/64	3/16	11/64	1/4-28UNF	2877.55	1494.98	0.49
IDC SSER12	3/4		47	31	15.9	10.3	2.46	1.12	52.7	4.8	4.4	M6x1			
IDC SSER16	1		2-3/64	1-3/8	3/4	33/64	3/32	3/64	2-9/32	13/64	11/64	1/4-28UNF	3147.33	1764.75	0.60
IDC SSER19	1-3/16		52	34.9	19	13.1	2.46	1.12	57.9	5	4.5	M6x1			
IDC SSER20	1-1/4		2-7/16	1-1/2	7/8	5/8	1/8	1/16	2-43/64	13/64	13/64	1/4-28UNF	4383.77	2540.34	0.86
IDC SSER20	1-1/4		62	38.1	22.2	15.9	3.28	1.7	67.7	5	5.3	M6x1			
IDC SSER20	1-1/4		2-53/64	1-11/16	15/16	11/16	1/8	1/16	3-3/32	17/64	15/64	5/16-24UNF	5777.59	3439.58	1.39
IDC SSER20	1-1/4		72	42.9	23.8	17.5	3.28	1.7	78.6	6.7	5.8	M8x1			

AGRICULTURAL

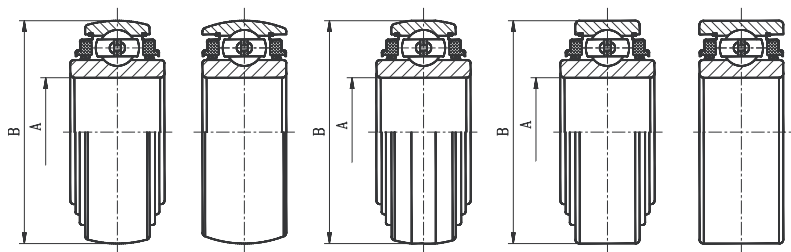
IDC Select® offers AG bearings designed for harsh environments. IDC Select® agricultural products perform in the toughest of applications, from planters, sprayers and shredders, to spreaders, mowers, augers, hay rakes, balers and more. Manufactured in ISO certified plants, these heavy-duty units meet the highest quality standards.



IDC SELECT® BEARINGS

AGRICULTURAL

TRI-PLY SEAL SERIES NON-RELUBRICATABLE TYPE



TYPE 1 TYPE 2 TYPE 3 TYPE 4 TYPE 5

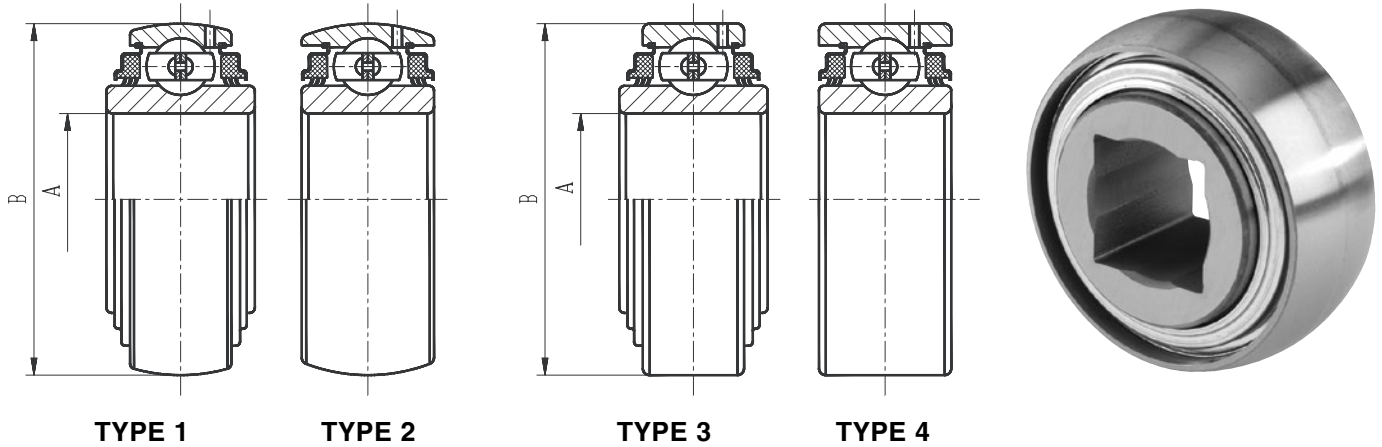
ROUND BORE

Part No.	Type	Bearing Bore Size		Outside Diameter		Ring Width			
		A		B		Inner Ring		Outer Ring	
		(in)	(mm)	(in)	(mm)	(in)	(mm)	(in)	(mm)
IDC 205PPB7	1	15/16	23.813	2-3/64	52.00	1-3/8	34.92	19/32	15.00
IDC W208PPB7	1	1-3/16	30.175	3-5/32	80.00	1-3/16	30.20	45/64	18.00
IDC W208PP10	4	1-1/2	38.113	3-5/32	80.00	1-11/16	42.96	53/64	21.00
IDC W208PPB23	1	1-1/2	38.113	3-5/32	80.00	1-11/16	42.96	1-3/16	30.20
IDC W209PPB2	2	1-49/64	45.000	3-11/32	85.00	1-3/16	30.20	1-3/16	30.20
IDC W209PPB4	2	1-17/32	39.000	3-11/32	85.00	1-3/16	30.20	1-3/16	30.20
IDC W210PP2	5	1-15/16	49.225	3-35/64	90.00	1-3/16	30.20	1-3/16	30.20
IDC W210PPB2	2	1-15/16	49.225	3-35/64	90.00	1-3/16	30.20	1-3/16	30.20
IDC W211PP2	5	2-3/16	55.575	3-15/16	100.00	1-5/16	33.34	1-5/16	33.34
IDC W211PPB2	2	2-3/16	55.575	3-15/16	100.00	1-5/16	33.34	1-5/16	33.34

SQUARE BORE

Part No.	Type	Bearing Bore Size		Outside Diameter		Ring Width			
		A		B		Inner Ring		Outer Ring	
		(in)	(mm)	(in)	(mm)	(in)	(mm)	(in)	(mm)
IDC W208PPB13	1	29/32	23.117	3-5/32	80.00	1-7/16	36.50	45/64	18.00
IDC W208PPB6	1	1-1/32	26.162	3-5/32	80.00	1-7/16	36.50	45/64	18.00
IDC W208PP5	4	1-3/16	29.972	3-5/32	80.00	1-7/16	36.50	45/64	18.00
IDC W208PPB5	1	1-3/16	29.972	3-5/32	80.00	1-7/16	36.50	45/64	18.00
IDC W208PP8	4	1-3/16	29.972	3-5/32	80.00	1-7/16	36.50	1-3/16	30.20
IDC W208PPB8	1	1-3/16	29.972	3-5/32	80.00	1-7/16	36.50	1-3/16	30.20
IDC W208PPB11	3	29/32	23.117	3-3/8	85.75	1-7/16	36.50	1-3/16	30.20
IDC W208PPB12	3	1-3/16	29.972	3-3/8	85.75	1-7/16	36.50	1-3/16	30.20
IDC W209PPB5	1	1-19/64	32.766	3-11/32	85.00	1-7/16	36.50	1-3/16	30.20
IDC W210PP4	5	1-3/16	29.972	3-35/64	90.00	1-3/16	30.20	1-3/16	30.20
IDC W210PPB4	2	1-3/16	29.972	3-35/64	90.00	1-3/16	30.20	1-3/16	30.20
IDC W211PP3	5	1-17/32	38.890	3-15/16	100.00	1-5/16	33.34	1-5/16	33.34
IDC W211PPB3	2	1-17/32	38.890	3-15/16	100.00	1-5/16	33.34	1-5/16	33.34
IDC W211PP5	4	1-17/32	38.890	4	101.60	1-3/4	44.45	1-7/16	36.52
IDC W211PPB6	3	1-17/32	38.890	4-5/64	103.56	1-3/4	44.45	1-7/16	36.52

TRI-PLY SEAL SERIES RELUBRICATABLE TYPE



AGRICULTURAL

ROUND BORE

Part No.	Type	Bearing Bore Size		Outside Diameter		Ring Width			
		A		B		Inner Ring		Outer Ring	
		(in)	(mm)	(in)	(mm)	(in)	(mm)	(in)	(mm)
IDC GW209PPB4	2	1-17/32	39.000	3-11/32	85.00	1-3/16	30.20	1-3/16	30.20
IDC GW209PPB2	2	1-49/64	45.000	3-11/32	85.00	1-3/16	30.20	1-3/16	30.20
IDC GW209PPB11	1	1-25/32	45.240	3-11/32	85.00	1-7/16	36.50	55/64	22.00
IDC GW210PPB2	2	1-15/16	49.225	3-35/64	90.00	1-3/16	30.20	1-3/16	30.20
IDC GW211PPB2	2	2-3/16	55.575	3-15/16	100.00	1-5/16	33.34	1-5/16	33.34

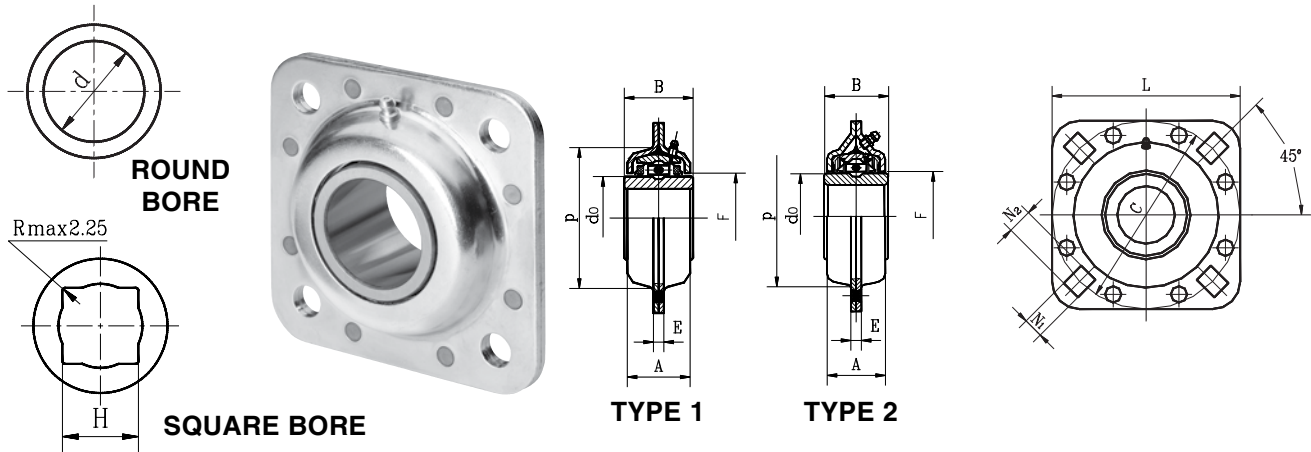
SQUARE BORE

Part No.	Type	Bearing Bore Size		Outside Diameter		Ring Width			
		A		B		Inner Ring		Outer Ring	
		(in)	(mm)	(in)	(mm)	(in)	(mm)	(in)	(mm)
IDC GW208PPB5	1	1-1/8	29.972	3.1496	80.000	1.437	36.50	0.827	21.00
IDC GW208PPB8	1	1-1/8	29.972	3.1496	80.000	1.437	36.50	1.189	30.20
IDC GW208PPB17	1	1-1/8	29.972	3.3755	85.738	1.437	36.50	1.189	30.20
IDC GW209PPB5	1	1-1/4	32.766	3.3465	85.000	1.437	36.50	1.189	30.20
IDC GW209PPB8	1	1-1/4	32.766	3.3465	85.000	1.437	36.50	0.866	22.00
IDC GW210PP4	4	1-1/8	29.972	3.5433	90.000	1.189	30.20	1.189	30.20
IDC GW210PPB4	2	1-1/8	29.972	3.5433	90.000	1.189	30.20	1.189	30.20
IDC GW211PP3	4	1-1/2	38.890	3.9370	100.00	1.313	33.34	1.313	33.34
IDC GW211PPB3	2	1-1/2	38.890	3.9370	100.00	1.313	33.34	1.313	33.34
IDC GW211PP17	3	1-1/2	38.890	3.9370	100.00	1.750	44.45	1.313	33.34

IDC SELECT® BEARINGS

AGRICULTURAL

AGRICULTURAL



209 TRI-PLY SERIES

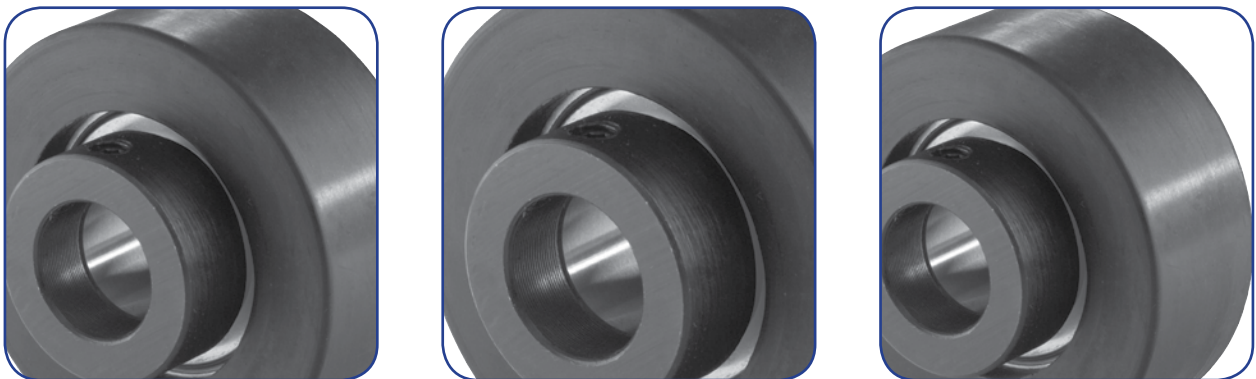
Part No.	Type	Bearing Bore Size (in) (mm)		Dimension (in) (mm)									Basic load rating (lb)	
		H (SQ)	d (RD)	L	P	B	A	F	do	E	C	N(N1xN2)	Dynamic	Static
IDC ST491A	1	-	1-25/32 45	5 127	3-7/8 98	1-11/16 42.8	1-21/32 42	2-3/8 60	2-17/64 57.547	9/32 7	5 127	17/32 13.5	7160	3934
IDC DHU45R-209	1	-	1-25/32 45	5 127	3-7/8 98	1-11/16 42.8	1-21/32 42	2-3/8 60	2-17/64 57.547	9/32 7	5 127	17/32 X 43/64 13.5 X 16.7	7160	3934
IDC ST491B	1	-	1-17/32 38.86	5 127	3-7/8 98	1-11/16 42.8	1-21/32 42	2-3/8 60	2-17/64 57.547	9/32 7	5 127	17/32 X 43/64 13.5 X 16.7	7160	3934
IDC ST209-1 1/8	1	1-3/16 29.927	-	5 127	3-7/8 98	1-11/16 42.8	1-21/32 42	2-3/8 60	2-17/64 57.547	9/32 7	5 127	17/32 X 43/64 13.5 X 16.7	7160	3934
IDC ST209-1 1/8-1	2	1-3/16 29.927	-	5 127	3-7/8 98	1-11/16 42.8	1-15/32 37	2-3/8 60	2-17/64 57.547	9/32 7	5 127	17/32 X 43/64 13.5 X 16.7	7160	3934

211 TRI-PLY SERIES

Part No.	Type	Bearing Bore Size (in) (mm)		Dimension (in) (mm)									Basic load rating (lb)	
		H (SQ)	d (RD)	L	P	B	A	F	do	E	C	N(N1xN2)	Dynamic	Static
IDC DHU55R-211	1	-	2-11/64 55	5-1/2 139.7	4-15/32 113.5	2 51	1-53/64 46.4	2-7/8 73	2-23/32 69	23/64 9	5-1/2 139.7	17/32 X 19/32 13.5 X 15.1	9790	5620
IDC DHU55R-211	2	-	2-11/64 55	5-1/2 139.7	4-15/32 113.5	2 51	1-15/32 37	2-51/64 71	2-23/32 69	5/16 8	5-1/2 139.7	17/32 X 19/32 13.5 X 15.1	9790	5620
IDC ST211-1 3/4	1	-	1-25/32 45.212	5-1/2 139.7	4-15/32 113.5	2-3/16 55.5	1-15/32 37	2-7/8 73	2-23/32 69	23/64 9	5-1/2 139.7	17/32 13.5	9790	5620
IDC ST211-2 3/16	1	-	2-13/64 55.575	5-1/2 139.7	4-15/32 113.5	2-3/16 55.5	1-21/32 42	2-7/8 73	2-23/32 69	23/64 9	5-1/2 139.7	17/32 13.5	9790	5620
IDC ST211-2 3/16-1	2	-	2-13/64 55.575	5-1/2 139.7	4-15/32 113.5	2-3/16 55.5	1-21/32 42	2-51/64 71	2-23/32 69	5/16 8	5-1/2 139.7	17/32 13.5	9790	5620
IDC DHU40S-211	1	1-39/64 40.878	-	5-1/2 139.7	4-15/32 113.5	2 51	1-15/32 37	2-7/8 73	2-23/32 69	23/64 9	5-1/2 139.7	17/32 X 19/32 13.5 X 15.1	9790	5620
IDC FD211-1 1/2	1	1-17/32 38.89	-	5-1/2 139.7	4-15/32 113.5	2 51	1-15/32 37	2-51/64 71	2-23/32 69	5/16 8	5-1/2 139.7	17/32 X 19/32 13.5 X 15.1	9790	5620

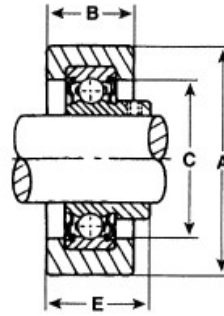
HVAC UNITS

IDC Select® HVAC series units offer a conductive rubber interliner which helps dissipate static and reduce noise and vibration. Setscrew units have two setscrews 120° apart in the inner ring. Eccentric locking collar units provide locking for one-directional applications.

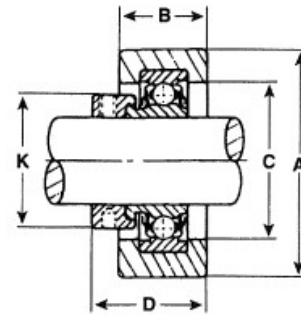


IDC SELECT® BEARINGS

HVAC UNITS



RSCM S



RSCM

- Conductive rubber interliner
- Used to dissipate static and reduce noise and vibration

HVAC UNITS

RSCM ECCENTRIC LOCKING COLLAR TYPE

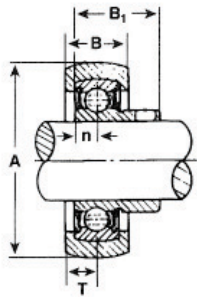
Part No.	Shaft Dia. d (in)	Dimension (in)						Bearing No.	Weight (lb)
		A	B	C	D	E	K		
IDC RSCM-8	1/2	2-17/32	1	1-3/8	1-3/8	-	1-1/8	CSA201-8	0.44
IDC RSCM-10	5/8							202-10	
IDC RSCM-12	3/4	2-17/32	1	1-9/16	1-27/64	-	1-5/16	CSA204-12	0.52
IDC RSCM-14	7/8							CSA205-14	0.65
IDC RSCM-15	15/16	2-17/32	1	1-25/32	1-27/64	-	1-1/2	205-15	
IDC RSCM-16	1							205-16	
IDC LRCSM-19	1-3/16	2-7/32	1	1-7/8	1-9/32	-	1-21/32	CSA006-19	0.62

RCSMS SETSCREW LOCKING TYPE

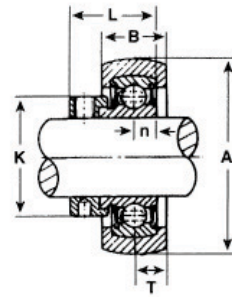
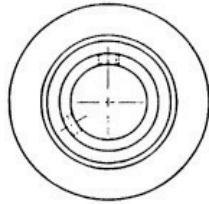
Part No.	Shaft Dia. d (in)	Dimension (in)						Bearing No.	Weight (lb)
		A	B	C	D	E	K		
IDC RSCM-8S	1/2	2-17/32	1	1-3/8	1-3/8	1-9/64	-	CSB201-8	0.35
IDC RSCM-10S	5/8							202-10	
IDC RSCM-12S	3/4	2-17/32	1	1-9/16	1-27/64	1-7/32	-	CSB204-12	0.48
IDC RSCM-14S	7/8							CSB205-14	0.53
IDC RSCM-15S	15/16	2-17/32	1	1-25/32	1-27/64	1-9/32	-	205-15	
IDC RSCM-16S	1							205-16	

IDC SELECT® BEARINGS

HVAC UNITS



RABR S



RABR



- Conductive rubber interliner
- Used to dissipate static and reduce noise and vibration

RABR ECCENTRIC LOCKING COLLAR TYPE

Part No.	Shaft Dia. d (in)	Dimension (in)						Bearing No.	Weight (lb)
		A	B	B ₁	n	T	K		
IDC RABR-8	1/2	1-7/8	11/16	1-1/8	15/64	11/32	1-1/8	SA201-8	0.35
IDC RABR-10	5/8	47.6						202-10	
IDC RABR-12	3/4	2-1/16 52.4	11/16	1-7/32	9/32	11/32	1-1/4	SA204-12	0.37
IDC RABR-14	7/8							SA205-14	0.49
IDC RABR-15	15/16	2-29/64 62.4	25/32	1-7/32	19/64	13/32	1-1/2	205-15	
IDC RABR-16	1							205-16	
IDC RABR-17	1-1/16							SA206-17	0.79
IDC RABR-18	1-1/8	2-59/64 74.4	13/16	1-13/32	5/16	13/32	1-3/4	206-18	
IDC RABR-19	1-3/16							206-19	
IDC RABR-20	1-1/4							206-20	

HVAC UNITS

RABR S SETSCREW LOCKING TYPE

Part No.	Shaft Dia. d (in)	Dimension (in)					Bearing No.	Weight (lb)
		A	B	L	n	T		
IDC RABR-8S	1/2	1-7/8	11/16	55/64	15/64	11/32	SB201-8	0.24
IDC RABR-10S	5/8	47.6					202-10	
IDC RABR-12S	3/4	2-1/16 52.4	11/16	63/64	9/32	11/32	SB204-12	0.35
IDC RABR-14S	7/8						SB205-14	0.42
IDC RABR-15S	15/16	2-29/64 62.4	25/32	1-1/16	19/64	13/32	205-15	
IDC RABR-16S	1						205-16	
IDC RABR-17S	1-1/16						SB206-17	0.97
IDC RABR-18S	1-1/8	2-59/64 74.4	13/16	5/8	5/8	13/32	206-18	
IDC RABR-19S	1-3/16						206-19	
IDC RABR-20S	1-1/4						206-20	

IDC SELECT® BEARINGS

TECHNICAL INFORMATION

RELUBRICATION OF MOUNTED UNITS

IDC Select® mounted bearing inserts are pre-lubricated at the factory and ready for operation. Proper relubrication of bearings can greatly increase bearing life. Optimal relubrication intervals are determined by application speed and operating environment. IDC Select® units should be

relubricated with NLGI #2 grease that is compatible with a lithium thickener and mineral oil base and can operate in a range of -4° to 250° Fahrenheit. Below are general guidelines for relubrication intervals. However, application experience should dictate optimal intervals.

dn Value	Environmental Conditions	Operating Temperature (F)	Interval
Up to 40,000	Ordinary	5 to 150	6-12 months
Up to 40,000	Ordinary	150 to 210	2-6 months
40,000 to 70,000	Ordinary	5 to 150	2-6 months
40,000 to 70,000	Ordinary	150 to 210	Monthly
Up to 70,000	Dirty	5 to 150	Weekly to monthly
Up to 70,000	Dirty	150 to 210	Daily to 2 weeks
Up to 70,000	Very dirty	Any	Daily to weekly
Up to 70,000	Very dirty	Any	Daily

d = inner ring diameter (mm)
n = speed in RPM

GREASE FILL AMOUNTS

Appropriate grease fill will assume maximum life. Care should be taken not to overfill bearing as this will cause overheating and unseating of the seals. Grease should be applied under low pressure during slow shaft rotation for optimal distribution. The table on the right shows suggested grease fill amounts. However, application experience should dictate.

Bore Size	Grease Amount
Up to 1"	1.5 – 2 grams
1 1/8 to 1 1/2"	2.5 – 3 grams
1 7/16 to 2 1/16"	4 – 5 grams
2 1/2 to 3 1/2"	7 – 8 grams

GREASE TYPES

IDC Select® bearings are lubricated with standard greases that are suitable for a wide variety of applications, speeds and temperatures. Special greases are available for unique or special

applications or environments. Below is a short list of standard and special greases available in IDC Select® ball bearings and mounted units.

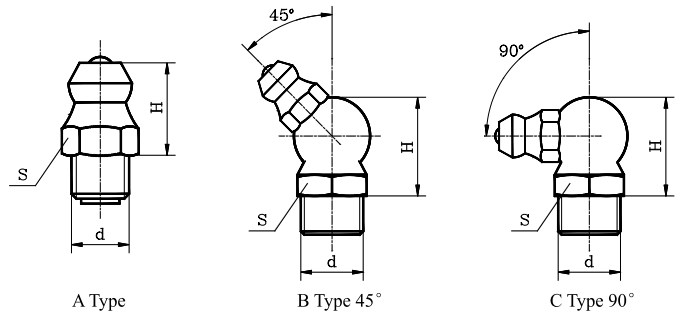
Grease Name	Dropping Point	Penetration 60X	Thickener	Temperature Range (F)	Features
Shell Alvania RL2	385	284	Lithium	-30 to 275	Low noise, general purpose & electric motors, Replaces Alvania 2/3
Mobil Polyrex EM	550	284	Polyurea	-40 to 350	Electric motor grease, high temperature, low noise
Chevron SRI-2	470	280	Polyurea	-20 to 350	High temperature, excellent rust protection
Nevastane HT/AW2	200	280	Aluminum Complex	-20 to 350	H1-food grade grease, water resistant and corrosion protection
Lithium Based #2	385	275	Lithium	-4 to 250	General purpose, low noise
Dow Corning Molycote 44	432	300	Lithium	-40 to 400	High temperature

TECHNICAL INFO

GREASE FITTINGS ON MOUNTED UNITS

IDC Select® produces three types of grease nipples for use on mounted ball bearing units (see diagram). A type, also known as straight, is standard on all relubricatable pillow blocks, flanges and take

ups. B type (45°) and C Type (90°) can be purchased separately, or ordered from the factory with the units.



GREASE NIPPLE DIMENSIONS AND DESIGNATIONS OF APPLICABLE BEARING UNITS

Grease Fitting Type	d	H (mm)	S (mm)
A Type	M6X1	8.5	7
	M8X1	10.5	10
	¼-28UNF	8.5	7
	⅜-27NPT	9.5	11
	G1/8	10.5	11
B Type 45°	M6X1	15	10
	M8X1	15	10
	¼-28UNF	15	10
	⅜-27NPT	15	10
C Type 90°	M6X1	15	10
	M8X1	15	10
	¼-28UNF	15	10
	⅜-27NPT	14.5	10

TECHNICAL INFO

PROPER TIGHTENING TORQUE OF SETSCREWS

Setscrew (mm)	Tightening torque (N-M) (max)	Setscrew (inch)	Tightening torque (lbf-inch) (max)
M5x0.8	3.4	10-32UNF	30
M6x1.0	5.4	¼-28UNF	48
M8x1.0	11.3	⅜-24UNF	100
M10x1.0	21.6	⅝-24UNF	192
M12x1.5	32.4	7/16-20UNF	210
M14x1.5	41.2	½-20UNF	287
M16x1.5	62.8	9/16-18UNF	365
M18x1.5	73.4	⅝-18UNF	556
M20x1.5	117.7		

Torque information is provided as a guide only

IDC SELECT® BEARINGS

TECHNICAL INFORMATION - BEARING UNIT INTERCHANGE

TECHNICAL INFO

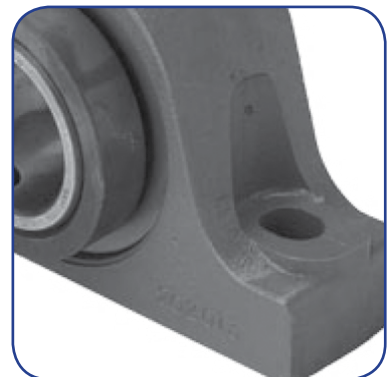
IDC Select	AMI/Asahi	Browning	Dodge	FYH	Fatmir	Hub City	IPTCI	Link Belt	MB/McGill	Peer	Sealmaster
IDC UCP205-16	UCP205-16	VPS-216	P2B-SC-100	UCP205-16	YAS 1	PB251W-1	UCP205-16	P3-U216N	C-25-1	UCP205-16	NP-16
IDC HCP205-16	UGP205-16	VPE-216	P2B-SXR-100	NAP205-16	RAS 1	PB221W-1	NAP205-16	P3-Y216N	-	HCP205-16	RP-16E
IDC UCPK205-16	UCLP205-16	VPLS-216	P2B-SCB-100	SL(UCSL)205-16	YAK 1	PB250W-1	UOPL205-16	PL3-U216N	CL-25-1	UCLP205-16	NPL-16
IDC HCPK205-16	UGAK205-16	VPLE-216	P2B-SXRB-100	NAPK205-16	RAK 1	PB220W-1	NAPL205-16	PL3-Y216N	-	HCLP205-16	RPL-16E
See IDC UCP	BP205-16	VPS-116	P2B-VSC-100	EBP205-16	SAS 1	PB251-1	SBP205-16G	PB-5216N	-	FHS205-16G	VP-16
See IDC UCPK	BLP205-16	VPLS-116	P2B-VSCB-100	EBSL205-16	SAK 1	PB250-1	SBPL205-16G	-	-	FHSLP205-16G	VPL-16
See IDC HCP	KHP205-16	VPE-116	P2B-SXV-100	EAP205-16	VAS 1	PB221-1	SAP205-16G	P3-W216U	-	FHP205-16G	VP-16E
IDC UCX205-16	UCPX05-16	VPS-316	P2B-SCM-100	UCPX05-16	YASM1	PB350-1	UCPX05-16	-	C-35-1	UCPX05-16	MP-16
IDC UCAPA205-16A	UCTB205-16	VTBS-216	TB-SC-100	UCPAN205-16	YTB 2	TPB250W-1	UCAPA205-16	PT3-U216N	TBC-25-1	UCPAS205-16	TB-16
IDC UCF205-16	UCF205-16	VF4S-216	F4B-SC-100	UCF205-16	YCY 1	FB250W-1	UCF205-16	F3-U216N	FC4-25-1	UCF205-16	SF-16
IDC HCF205-16	UGSLF205-16	VF4E-216	F4B-SXR-100	NANF205-16	RCJ 1	FB220W-1	NANF205-16	F3-Y216N	-	HGFS205-16	RF-16E
See IDC UCF	BF205-16	VF4S-116	F4B-VSC-100	EBF205-16	SCJ 1	FB250-1	SBF205-16	-	-	FHSF205-16G	VF-16
See IDC HCF	KHF205-16	VF4E-116	F4B-SXV-100	EAF205-16	VCJ-1	FB220-1	SAF205-16G	F3-W216U	-	FHF205-16G	VF-16E
IDC UCFX05-16	UCFX05-16	VF4S-316	F4B-SCM-100	UCFX05-16	YCYM-1	FB350-1	UCFX05-16	-	FC4-35-1	UCFX05-16	MSF-16
IDC SBFC205-16G	BTM205-16	VF3S-116	LF-SC-100	-	GSFD 1	FB150-1	SBRF205-16G	-	-	FHSF3X205-16G	LF-16
IDC SAF205-16G	KHTM205-16	VF3E-116	LF-SXV-100	-	GVFD 1	-	SARBF205-16G	F-WG216U	-	FHF3X205-16G	LF-16E
IDC HCF205-16	UCFT205-16	VF2S-216	F2B-SC-100	UCFL205-16	YCYT 1	FB260W-1	UCFL205-16	FX3-U216N	FC2-25-1	UCFT205-16	SFT-16
IDC HCF205-16	UGFJT205-16	VF2E-216	F2B-SXR-100	NANFL205-16	RCJT 1	FB230W-1	NANFL205-16	FX3-Y216N	-	HCFTS205-16	RFT-16E
See IDC UCF	BFT205-16	VF2S-116	F2B-VSC-100	EBFL205-16	SCJT 1	FB260-1	SBFL205-16G	FX3-S216E	-	FHSFT205-16G	VFT-16
See IDC HCF	KHFT205-16	VF2E-116	F2B-SXV-100	EAF205-16	VCJT 1	FB230-1	SAFL205-16G	FX3-W216U	-	FHFT205-16G	VFT-16E
IDC UCF205-16	UCFLX05-16	VF2S-316	F2B-SCM-100	UCFLX05-16	YCYTM 1	-	UCFLX05-16	-	FC2-35-1	UCFTX05-16	MSFT-16
IDC SBLF205-16G	BLFL5-16	-	-	BLF205-16	-	-	SBLF205-16G	-	-	FHSLF205-16G	-
IDC SALF205-16G	KHLFL205-16	-	-	ALF205-16	-	-	SALF205-16G	-	-	FHLF205-16G	-
IDC UCF205-16	UCFC205-16	VFC-216	FC-SC-100	UCFC205-16	-	-	UCFC205-16	-	-	UCFC205-16	MFC-16
IDC UCFCX05-16	UCFCX05-16	VFC3-316	FC-SCM-100	UCFCX05-16E	-	FC350X1	UCFCX05-16	-	PFC4-35-1	-	-
IDC UCST205-16	UCST205-16	VTWS-216	WSTU-SC-100	UCT205-16	YTU 1	WSTU250-1	UCT205-16	TH3-U200N	-	UCT205-16	SFT-16
IDC UC205-16	UC205-16	VS-216	INS-SC-100	UC205-16	GY1100KRRB	YW250-1	UC/UCW205-16	UG216NL	MB-25-1	UC205-16	2-1
IDC HC205-16	UG205-16	VE-216	INS-SXR-100	NA205-16	G1100KRRB	YW220-1	NA/NAW205-16	YG216NL	-	HC205-16	R-16E
IDC UCX05-16	UCX05-16	VS-316	INS-SCM-100	UCX05-16	GYM100KRRB	B350-1	UCX05-16	-	MB-35-1	UCX05-16	3-1
IDC SER205-16	SER205-16	VER-216	-	ER205-16	ER-16	-	ER205-16	-	ER-16	SER-16	ER-16
IDC SB205-16G	B5-16	VS-116	INS-VSC-100	SB205-16KP8	GYA100RRB	B250-1	SB205-16G	SG216EL	-	FHS205-16	V-16
IDC CSB205-16	BR5-16	SLS-116	INS-CC-100	SBB205-16	YA100RR	-	CSB205-16	-	MSLN-16	FHSR205-16	SL-16
IDC SA205-16G	KH205-16	VE-116	INS-SXV-100	SA205-16FP9	GRA100RRB	B220-1	SA205-16G	WG216UL	-	FH205-16	V-16E
IDC CSA205-16G	KHR205-16	SLE-116	-	SAA205-16	RA100RR	-	CSA205-16N	WBG216UL	-	FHR205-16	SL-16E

Caution: Some manufacturers locate grease access holes and/or anti-rotation devices at different positions. All shown in 1" size

MOUNTED SPHERICAL UNITS

IDC Select® supplies a full line of precision bearings and components. Our mounted spherical roller bearings and takeup units (standard and heavy duty) are manufactured using a domestically produced housing with an SKF® insert. We also have the ability to engineer components to meet your exact specifications.

SKF® is a registered trademark of the SKF Group.

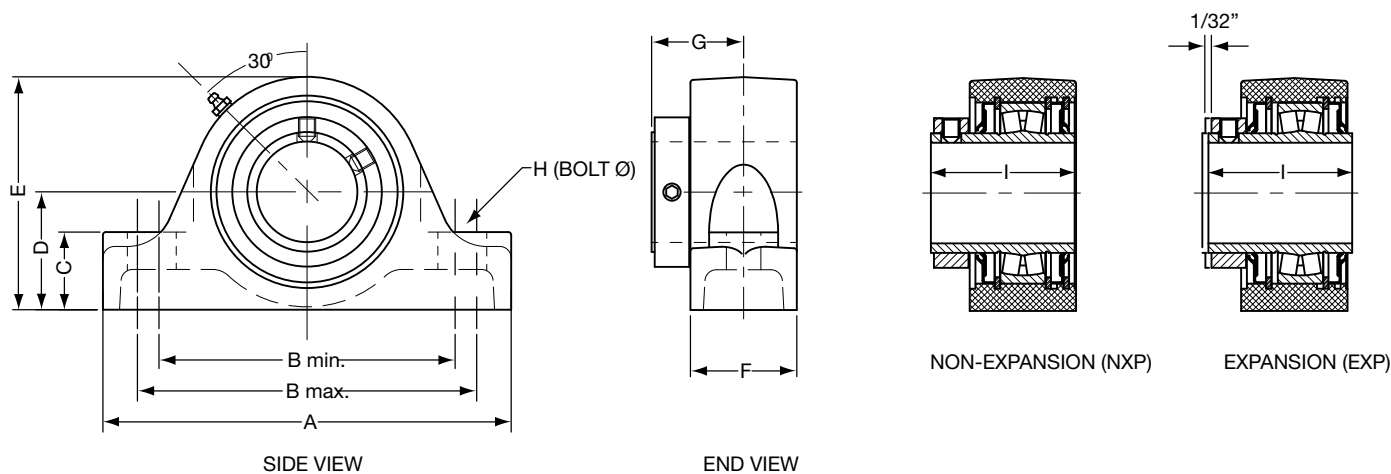


IDC SELECT® BEARINGS

MOUNTED SPHERICAL UNITS

CA-2000 2-BOLT PILLOW BLOCKS

- Fully self-aligning
- Fixed and expansion units
- Cast iron housing



SHAFT DIA.	PART NO.	WEIGHT (LBS)	A	B		C	D	E	F	G	H bolt Ø	I
				MIN	MAX							
1 ⁷ / ₁₆	IDC CA2107	6.5	6 ⁷ / ₈	4 ¹¹ / ₁₆	5 ⁵ / ₁₆	1 ³ / ₁₆	1 ⁷ / ₈	3 ⁷ / ₈	2 ¹ / ₈	1 ³ / ₄	1 ¹ / ₂	2 ³ / ₄
1 ¹ / ₂	IDC CA2108	6.5										
1 ¹¹ / ₁₆	IDC CA2111	8.5	7 ³ / ₈	5 ³ / ₁₆	5 ¹⁵ / ₁₆	1 ⁵ / ₁₆	2 ¹ / ₈	4 ¹ / ₄	2 ¹ / ₈	1 ⁷ / ₈	1 ¹ / ₂	2 ⁷ / ₈
1 ³ / ₄	IDC CA2112	8										
1 ⁵ / ₁₆	IDC CA2115	10.5	8 ³ / ₈	5 ¹⁵ / ₁₆	6 ⁹ / ₁₆	1 ³ / ₈	2 ¹ / ₄	4 ⁵ / ₈	2 ³ / ₈	1 ⁷ / ₈	5 ⁵ / ₈	2 ⁷ / ₈
2	IDC CA2200	10										
2 ³ / ₁₆	IDC CA2203	12	8 ⁷ / ₈	6 ⁷ / ₁₆	7 ¹ / ₁₆	1 ⁵ / ₈	2 ¹ / ₂	5	2 ³ / ₈	2	5 ⁵ / ₈	3 ¹ / ₈
2 ⁷ / ₁₆	IDC CA2207	18	9 ¹ / ₄	6 ¹⁵ / ₁₆	7 ⁷ / ₁₆	1 ³ / ₄	2 ³ / ₄	5 ¹¹ / ₁₆	2 ⁵ / ₈	2 ¹ / ₈	5 ⁵ / ₈	3 ³ / ₈
2 ¹ / ₂	IDC CA2208	17										
2 ¹¹ / ₁₆	IDC CA2211	24										
2 ³ / ₄	IDC CA2212	24										
2 ¹⁵ / ₁₆	IDC CA2215	22	10 ¹ / ₂	7 ¹³ / ₁₆	8 ⁷ / ₁₆	2 ¹ / ₄	3 ¹ / ₄	6 ⁷ / ₁₆	2 ⁵ / ₈	2 ³ / ₈	3 ³ / ₄	3 ⁵ / ₈
3	IDC CA2300	22										
3 ⁷ / ₁₆	IDC CA2307	34	13	9 ¹ / ₄	10 ³ / ₄	2 ¹ / ₄	3 ³ / ₄	7 ¹ / ₂	3	2 ⁵ / ₈	7 ⁷ / ₈	4 ¹ / ₃₂
3 ¹ / ₂	IDC CA2308	33.8										
3 ¹¹ / ₁₆	IDC CA2311	49.8										
3 ¹⁵ / ₁₆	IDC CA2315	48	14 ¹ / ₄	10	11 ³ / ₄	2 ¹ / ₂	4 ¹ / ₈	8 ⁷ / ₁₆	3 ³ / ₈	3	1	4 ¹⁹ / ₃₂
4	IDC CA2400	48										

NOTE: For expansion unit specify EXP
 Steel housing version is available. Contact IDC Select® for pricing.
 All units come standard with triple guard seal.

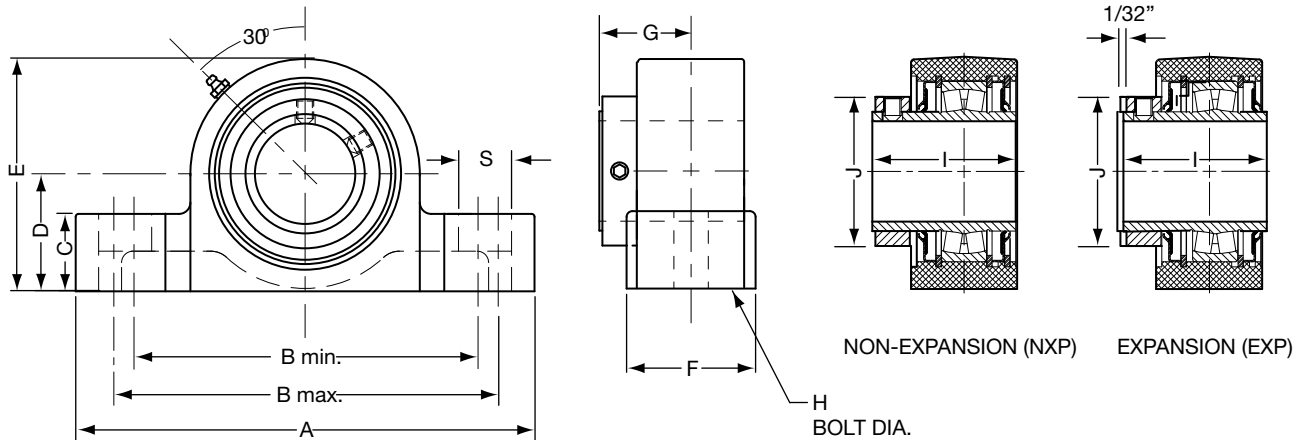
MOUNTED SPHERICAL UNITS

IDC SELECT® BEARINGS

MOUNTED SPHERICAL UNITS

CEP-2000 PILLOW BLOCKS (2-BOLT)

- Fully self-aligning
- Fixed and expansion units



SHAFT DIA.	PART NO.	TOTAL WT. (LBS.)	A	B		C	D	E	F	G	H BOLT Ø	I	J	S
				min	max									
1 5/16	IDC CEP2106	8.4												
1 7/16	IDC CEP2107	8	7 5/8	5 1/2	6	1 1/8	1 7/8	3 3/8	2 1/8	1 3/4	1/2	2 3/4	2 5/8	3/4
1 1/2	IDC CEP2108	9.8												
1 5/8	IDC CEP2110	9.6	7 7/8	6 1/8	6 3/8	1 1/4	2 1/8	4 1/4	2 3/8	1 7/8	1/2	2 7/8	2 5/8	3/4
1 11/16	IDC CEP2111	9.3												
1 3/4	IDC CEP2112	9.3												
1 7/8	IDC CEP2114	10.7												
1 15/16	IDC CEP2115	10.5	8 7/8	6 3/4	7 1/4	1 5/16	2 1/4	4 1/2	2 1/2	1 7/8	5/8	2 7/8	2 7/8	7/8
2	IDC CEP2200	10.5												
2 3/16	IDC CEP2203	13.5	9 5/8	7 1/2	8	1 1/2	2 1/2	5	2 5/8	2	5/8	3 1/8	3 1/4	7/8
2 1/4	IDC CEP2204	18.7												
2 7/16	IDC CEP2207	18.5	10 1/2	8 1/4	8 3/4	1 3/8	2 3/4	5 11/16	2 7/8	2 1/8	5/8	3 3/8	4	7/8
2 1/2	IDC CEP2208	18.5												
2 11/16	IDC CEP2211	26.5												
2 3/4	IDC CEP2212	25.5												
2 15/16	IDC CEP2215	22.5	12	9 1/4	9 3/4	1 7/8	3 1/8	6 5/16	3	2 3/8	3/4	3 5/8	4 1/2	1
3	IDC CEP2300	22.5												
3 3/16	IDC CEP2303	36.2												
3 1/4	IDC CEP2304	36												
3 7/16	IDC CEP2307	35.5	14	10 11/16	11 5/16	2 1/4	3 3/4	7 1/2	3 5/8	2 7/8	7/8	4 1/32	5 1/8	1 3/16
3 1/2	IDC CEP2308	35.5												

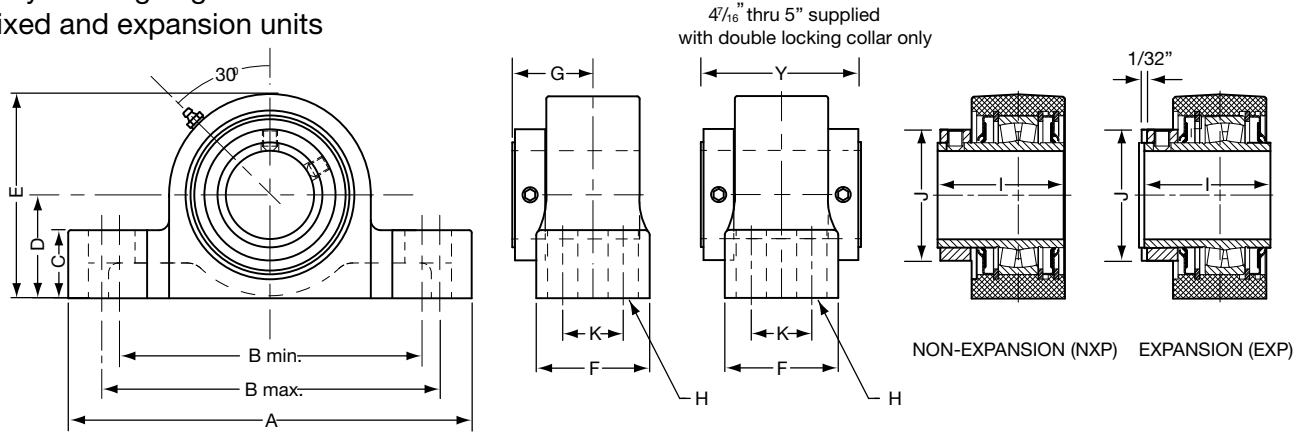
MOUNTED SPHERICAL UNITS

IDC SELECT® BEARINGS

MOUNTED SPHERICAL UNITS

CEP-2000 PILLOW BLOCKS (4-BOLT)

- Fully self-aligning
- Fixed and expansion units



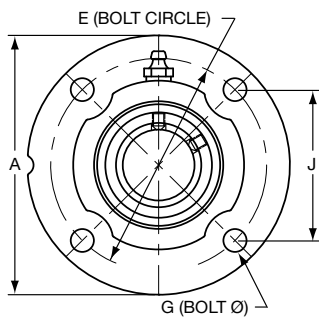
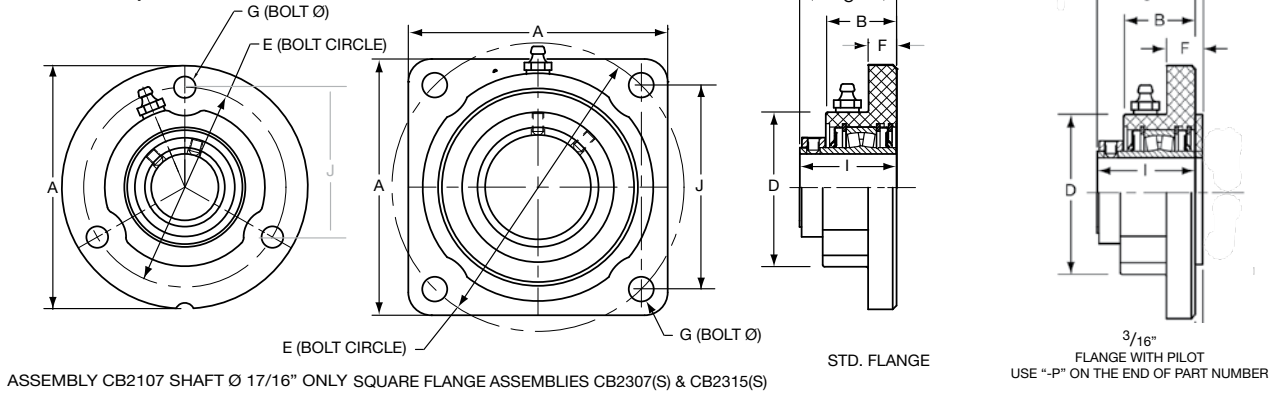
SHAFT DIA.	PART NO.	TOTAL WT. (LBS.)	A	B		C	D	E	F	G	H BOLT Ø	I	J	K	Y	
				min.	max.											
2 1/4	IDC CEP2204F	19.3														
2 7/16	IDC CEP2207F	19	10 1/2	8 1/4	8 3/4	1 5/8	2 3/4	5 11/16	3 1/2	2 1/8	5/8	3 3/8	4 1/16	1 7/8	—	
2 1/2	IDC CEP2208F	19														
2 11/16	IDC CEP2211F	28.1														
2 3/4	IDC CEP2212F	28.1														
2 15/16	IDC CEP2215F	28	12	9 1/8	9 7/8	1 7/8	3 3/8	6 5/16	4	2 3/8	5/8	3 3/8	4 23/32	2 1/8	—	
3	IDC CEP2300F	28														
3 3/16	IDC CEP2303F	38														
3 1/4	IDC CEP2304F	38														
3 7/16	IDC CEP2307F	38	14	10 9/16	11 1/16	2 1/4	3 3/4	7 1/2	4 1/2	2 5/8	3/4	4 1/32	5 17/32	2 3/8	—	
3 1/2	IDC CEP2308F	37.6														
3 11/16	IDC CEP2311F	55														
3 15/16	IDC CEP2315F	55	15 1/4	12	13	2 7/16	4 1/4	8 9/16	4 1/2	3	3/4	4 19/32	6	2 1/4	—	
4	IDC CEP2400F	53														
4 7/16	IDC CEP5407F	75														
4 1/2	IDC CEP5408F	75	16 5/8	13 3/8	13 3/8	2 3/4	4 3/4	9 3/8	4 5/8	3 1/16	3/4	6 1/8	6 7/16	2 1/2	6 3/8	
4 15/16	IDC CEP5415F	106														
5	IDC CEP5500F	106	18 1/2	15 3/8	15 3/8	3	5 1/2	10 7/8	5 1/8	3 5/16	7/8	6 3/8	7 7/16	2 7/8	6 3/8	

IDC SELECT® BEARINGS

MOUNTED SPHERICAL UNITS

CB-2000 FLANGE BEARING

- Fully self-aligning
- Fixed and expansion units



SHAFT DIA.	PART NO.	TOTAL WEIGHT LBS.	A	B	C	D	E bolt circle (1)	F	G bolt Ø	H +.000 - .003	I	J	
17/16	IDC CB2107	7.0	6 1/4	2 1/8	2 7/8	3 3/4	5	3/4	3 @ 1/2	3.562	2 3/4	4 21/64	
1 1/2	IDC CB2108												
1 11/16	IDC CB2111	10.5	6 3/4	2 1/8	3	4 1/8	5 1/2	3/4	4 @ 1/2	4.062	2 7/8	3 57/64	
1 3/4	IDC CB2112												
1 15/16	IDC CB2115	12.0	7	2 3/8	3	4 1/2	5 3/4	3/4	4 @ 1/2	4.375	2 7/8	4 1/16	
2	IDC CB2200												
2 3/16	IDC CB2203	13.5	7 3/4	2 3/8	3 1/4	5 1/8	6 3/8	3/4	4 @ 5/8	5.000	3 1/8	4 1/2	
2 7/16	IDC CB2207												
2 1/2	IDC CB2208	20.0	8 1/8	2 5/8	3 1/2	5 7/8	6 3/4	15/16	4 @ 5/8	5.437	3 3/8	4 49/64	
2 11/16	IDC CB2211												
2 3/4	IDC CB2212	27.0	9 1/2	2 5/8	3 7/8	6 3/8	7 7/8	15/16	4 @ 3/4	6.312	3 5/8	5 9/16	
2 15/16	IDC CB2215												
3	IDC CB2300	26.0	9 1/2	2 5/8	3 7/8	6 3/8	7 7/8	15/16	4 @ 3/4	6.312	3 3/8	5 9/16	
3 7/16	IDC CB2307												
3 1/2	IDC CB2308	40.0	11 1/8	3 3/16	4 9/32	7 3/8	9 1/2	1 1/8	4 @ 3/4	7.375	4 1/32	6 23/32	
3 7/16	IDC CB2307S												
3 1/2	IDC CB2308S	32.0	8 7/16	3 3/16	4 9/32	7 3/8	9 1/2	1 1/8	4 @ 3/4	7.375	4 19/32	6 23/32	
3 11/16	IDC CB2311												
3 15/16	IDC CB2315	55.0	12 5/8	3 3/8	4 27/32	8 3/8	10 3/4	1 1/8	4 @ 7/8	8.500	4 19/32	7 19/32	
4	IDC CB2400												
3 11/16	IDC CB2311S												
3 16/16	IDC CB2315S	46.0	9 3/4	3 3/8	4 27/32	8 3/8	10 3/4	1 1/8	4 @ 7/8	8.500	4 19/32	7 19/32	
4	IDC CB2400S												

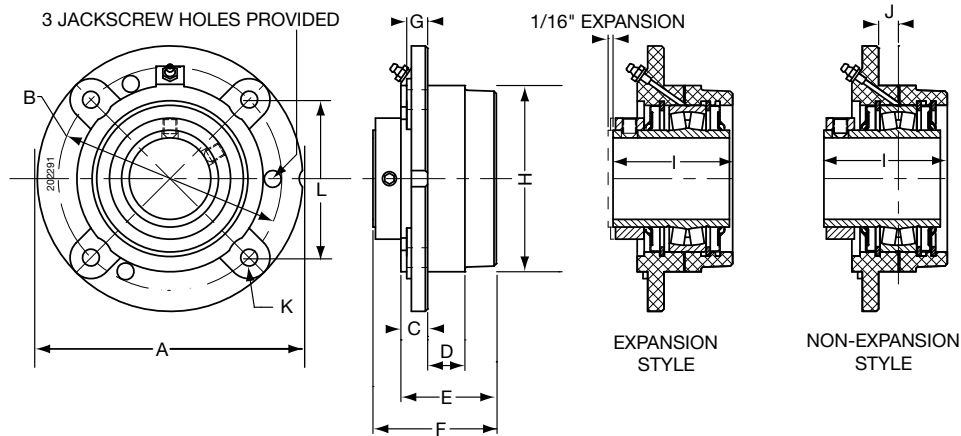
MOUNTED SPHERICAL UNITS

IDC SELECT® BEARINGS

MOUNTED SPHERICAL UNITS

CBR-2000 PILOTED FLANGE BEARING

- Fully self-aligning
- Fixed and expansion units



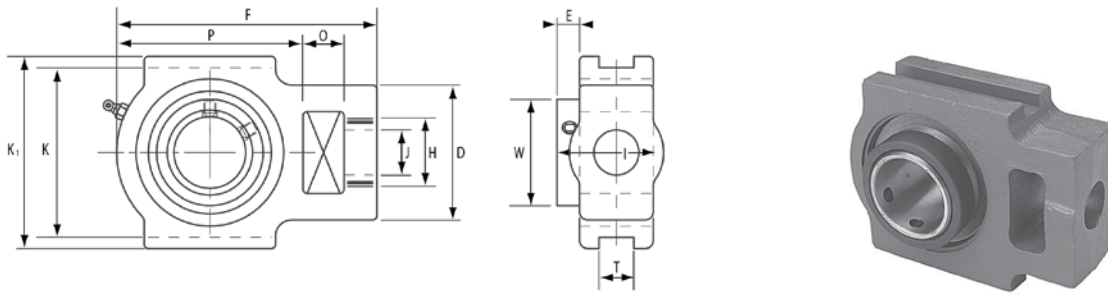
SHAFT DIA.	PART NO.	TOTAL WEIGHT LBS.	A	B	C	D	E	F	G	H	I	J	K	
													bolt Ø	L
1 ⁷ / ₁₆	IDC CBR2107	6.3	5 ¹ / ₄	4 ³ / ₈	2 ³ / ₃₂	3/4	2 ¹ / ₄	2 ⁵⁷ / ₆₄	1/2	3.625	2 ³ / ₄	2 ⁵ / ₆₄	3/8	3 ³ / ₃₂
1 ¹ / ₂	IDC CBR2108													
1 ¹¹ / ₁₆	IDC CBR2111	7.75	6 ¹ / ₈	5 ¹ / ₈	5/8	7/8	2 ¹ / ₂	3 ⁵ / ₃₂	1/2	4.25	2 ⁷ / ₈	1 ⁹ / ₃₂	7/16	3 ⁵ / ₈
1 ³ / ₄	IDC CBR2112													
1 ¹⁵ / ₁₆	IDC CBR2115	8.5	6 ³ / ₈	5 ³ / ₈	5/8	7/8	2 ¹ / ₂	3 ⁵ / ₃₂	9/16	4.5	2 ⁷ / ₈	1 ⁹ / ₃₂	7/16	3 ⁵ / ₆₄
2	IDC CBR2200													
2 ³ / ₁₆	IDC CBR2203	11	7 ¹ / ₈	6	2 ³ / ₃₂	1	2 ⁹ / ₁₆	3 ⁵ / ₁₆	9/16	5	3 ¹ / ₈	1 ⁷ / ₃₂	1/2	4 ¹ / ₄
2 ⁷ / ₁₆	IDC CBR2207													
2 ¹ / ₂	IDC CBR2208	14	7 ⁵ / ₈	6 ¹ / ₂	1 ³ / ₁₆	1	2 ⁵ / ₈	3 ¹ / ₂	5/8	5.5	3 ³ / ₈	7/16	1/2	4 ⁹ / ₃₂
2 ¹ / ₁₆	IDC CBR2211													
2 ³ / ₄	IDC CBR2212	20.5	8 ³ / ₄	7 ¹ / ₂	1 ³ / ₁₆	1 ¹ / ₄	3 ³ / ₈	3 ²⁹ / ₃₂	1 ¹ / ₁₆	6.375	3 ⁵ / ₈	2 ⁵ / ₃₂	5/8	5 ¹⁹ / ₆₄
2 ¹⁵ / ₁₆	IDC CBR2215													
3	IDC CBR2300	19.5	10 ¹ / ₄	8 ⁵ / ₈	1 ¹ / ₁₆	1 ¹ / ₄	3 ³ / ₁₆	4 ⁷ / ₃₂	7/8	7.375	4 ¹ / ₃₂	1/2	3/4	6 ³ / ₃₂
3 ⁷ / ₁₆	IDC CBR2307													
3 ¹ / ₂	IDC CBR2308	32	10 ⁷ / ₈	9 ³ / ₈	1	2	3 ⁵ / ₈	4 ¹⁹ / ₁₆	7/8	8.125	4 ¹⁹ / ₃₂	2 ⁵ / ₃₂	3/4	6 ⁵ / ₈
3 ¹ / ₁₆	IDC CBR2311													
3 ¹⁵ / ₁₆	IDC CBR2315	41	10 ⁷ / ₈	9 ³ / ₈	1	2	3 ⁵ / ₈	4 ¹⁹ / ₁₆	7/8	8.125	4 ¹⁹ / ₃₂	2 ⁵ / ₃₂	3/4	6 ⁵ / ₈
4	IDC CBR2400													

NOTE: Tolerance on OD of pilot diameter "H" is +0.000"/-0.005"

IDC SELECT® BEARINGS

MOUNTED SPHERICAL UNITS

CT-2000 TAKEUP BLOCK S-NORMAL & HEAVY DUTY



2000 Series

SHAFT SIZE	2000 SERIES PART NO.	WORKING LOAD †	SIZE CODE	I	D	E	F	H	J	K +0.005 -0.015	K ₁	O	P	T +0.005 -0.015	W	WT 2000 (LBS)
				2000 SERIES												
1 ⁷ / ₁₆	IDC CT4-2107	7,600	4	2 ¹³ / ₁₆	2 ⁷ / ₁₆	1 ¹ / ₁₆	5 ³ / ₈	1 ⁷ / ₁₆	7 ⁷ / ₈	3 ¹ / ₂	4 ¹ / ₈	5 ⁵ / ₈	4	1 ⁷ / ₃₂	2 ³ / ₈	6.4
1 ¹ / ₂	IDC CT4-2108															6.3
1 ¹¹ / ₁₆	IDC CT5-2111	12,300	5	2 ¹⁵ / ₁₆	3 ⁵ / ₁₆	5 ⁵ / ₈	6 ¹ / ₈	1 ¹⁵ / ₁₆	1 ¹ / ₈	4	4 ³ / ₄	3 ³ / ₄	4 ⁵ / ₈	1 ¹ / ₁₆	2 ⁵ / ₈	9.8
1 ³ / ₄	IDC CT5-2112															9.7
1 ¹⁵ / ₁₆	IDC CT6-2115	12,300	6	3 ¹ / ₁₆	3 ⁵ / ₁₆	5 ⁵ / ₈	6 ¹ / ₈	1 ¹⁵ / ₁₆	1 ¹ / ₈	4	4 ³ / ₄	3 ³ / ₄	4 ⁵ / ₈	1 ¹ / ₁₆	2 ⁷ / ₈	10.1
2	IDC CT6-2200															9.9
2 ³ / ₁₆	IDC CT7-2203	13,500	7	3 ³ / ₁₆	3 ³ / ₄	3 ³ / ₄	7 ¹ / ₈	2 ¹ / ₄	1 ¹ / ₄	4 ¹ / ₂	5 ¹ / ₄	1	5 ¹ / ₄	1 ³ / ₁₆	3 ¹ / ₄	13.6
2 ⁷ / ₁₆	IDC CT8-2207	20,900	8	3 ⁷ / ₁₆	4 ¹ / ₈	7 ⁷ / ₈	7 ³¹ / ₃₂	2 ¹ / ₂	1 ³ / ₈	5 ¹ / ₈	5 ⁷ / ₈	1 ¹ / ₄	5 ²⁵ / ₃₂	1 ¹ / ₁₆	4	18.2
2 ¹ / ₂	IDC CT8-2208															17.9
2 ¹ / ₁₆	IDC CT9-2211	26,800	9	3 ¹ / ₁₆	4 ³ / ₄	7 ⁷ / ₈	8 ¹⁵ / ₁₆	2 ³ / ₄	1 ⁵ / ₈	5 ¹⁵ / ₁₆	6 ¹ / ₁₆	1 ¹ / ₄	6 ¹ / ₂	1 ¹³ / ₁₆	4 ¹ / ₂	28.8
2 ³ / ₄	IDC CT9-2212															28.4
2 ¹⁵ / ₁₆	IDC CT9-2215															27.6
3	IDC CT9-2300															27.0
3 ⁷ / ₁₆	IDC CT10-2307	27,300	10	4 ³ / ₃₂	4 ⁷ / ₈	7 ⁷ / ₈	10 ¹ / ₄	2 ⁷ / ₈	1 ⁷ / ₈	6 ¹³ / ₁₆	7 ¹³ / ₁₆	1 ⁵ / ₈	7 ⁹ / ₁₆	1 ¹³ / ₁₆	5 ¹ / ₈	40.5
3 ¹ / ₂	IDC CT10-2308															40.0
3 ¹¹ / ₁₆	IDC CT11-2311	45,400	11	4 ²¹ / ₃₂	5 ⁵ / ₈	1	12 ¹ / ₈	3 ³ / ₈	2 ¹ / ₈	8 ⁵ / ₈	9 ⁷ / ₁₆	2 ¹ / ₈	8 ¹³ / ₁₆	2 ¹ / ₁₆	6	59.0
3 ¹⁵ / ₁₆	IDC CT11-2315															58.0
4	IDC CT11-2400															57.0

NOTE: Dimensions subject to change. Certified dimensions of ordered material furnished on request.
2000 series has single set collar.

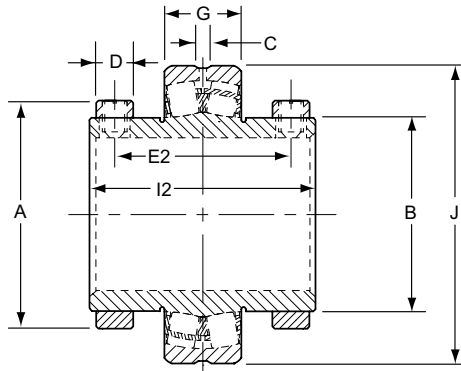
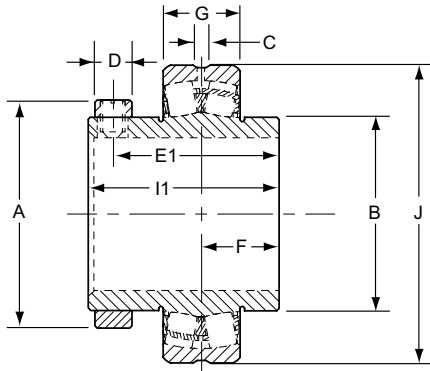
† Allowable working load is ²/₃ yield strength.

IDC SELECT® BEARINGS

MOUNTED SPHERICAL UNITS

2000 SERIES ROLLER BEARINGS

- Insert bearings
- Collar mounted



SHAFT DIA.	2000 SERIES	A	B	C	D	E1	E2	F	G (MM)	I1	I2	J (MM)	BEARING LOAD RATING (LBS)		SET SCREW SIZE	WT (LBS) 2000 SERIES
													DYNAMIC	STATIC		
1 3/8	2106															2.5
1 7/16	2107	2 3/8	1.908	0.219	5/8	2 3/8	2 3/4	1	23	2 3/4	-	80	16,600	18,300	3/8-24 x 1/2	2.5
1 1/2	2108															2.5
1 5/8	2110															2.75
1 11/16	2111	2 5/8	2.157	0.219	5/8	2 3/8	2 29/64	1	23	2 7/8	-	85	17,300	19,800	3/8-24 x 1/2	2.75
1 3/4	2112															2.75
1 7/8	2114															2.9
1 15/16	2115	2 7/8	2.357	0.219	5/8	2 15/32	2 59/64	1	23	2 7/8	3 3/8	90	19,000	22,500	3/8-24 x 1/2	2.9
2	2200															2.9
2 3/16	2203															3.9
2 1/4	2204	3 3/4	2.600	0.219	3/4	2 23/32	3 11/64	1 1/8	25	3 1/8	4	100	22,400	26,500	3/8-24 x 1/2	3.9
2 7/16	2207															6.8
2 1/2	2208	4	3.088	0.219	7/8	2 15/16	3 21/64	1 1/4	31	3 3/8	4 1/4	120	33,300	41,100	1/2-20 x 3/4	6.8
2 11/16	2211															9.3
2 3/4	2212															9.3
2 15/16	2215	4 1/2	3.491	0.219	7/8	3 1/16	3 35/64	1 1/4	31	3 5/8	4 3/4	130	35,500	46,800	1/2-20 x 7/8	9.3
3	2300															9.3
3 3/16	2303															13.0
3 1/4	2304															13.0
3 7/16	2307	5 1/8	4.224	0.219	7/8	3 15/32	4 1/64	1 7/16	40	4 1/32	5 3/16	160	56,900	76,400	1/2-20 x 7/8	13.0
3 1/2	2308															13.0
3 11/16	2311															19.5
3 15/16	2315	6	4.650	0.328	1	3 15/16	4 35/64	1 5/8	46	4 19/32	5 15/16	180	69,900	93,300	5/8-18 x 1	19.5
4	2400															19.5

MOUNTED SPHERICAL UNITS

Interchanges with Dodge®, Browning®, SKF® and Timken®.

Dodge® is a registered trademark of Baldor
 Browning® is a registered trademark Regal Power Transmission Solutions
 SKF® is a registered trademark of the SKF Group
 Timken® is a registered trademark of The Timken Company

IDC SELECT® BEARINGS

MOUNTED SPHERICAL UNITS

TAKEUP FRAMES



CHT-2000/CHT-5000
Center-Pull Takeups



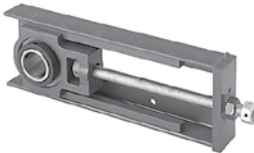
CGT-2000/CGT-5000
Head-End Takeups



CFT-2000
Boot-End Takeups



Type CU
Compensating Foot Takeups



CAT-2000
Normal Duty Takeups



CNT-2000
Protected Screw
Takeup Assemblies



Type TFT
Pillow Block
Takeup Frames



CSB-2800
Rigid Sleeve
Bearing Takeups



CPS-3800
Extra Heavy Duty
Protected Screw Takeups



CHS-B22500H
I-Frame
Heavy Duty Takeups

Call IDC Select® at 1-866-575-2025 for pricing and availability.

IDC SELECT® BEARINGS

MOUNTED SPHERICAL UNITS

2000 SERIES ROLLER BEARINGS RADIAL LOAD CAPACITIES

Based on 30,000 hours minimum length of operation

Standard Shaft Sizes (in)	*SHAFT SPEED-REVOLUTIONS PER MINUTE												
	50	100	200	300	400	500	750	1000	1250	1500	1750	2000	2500
	ALLOWABLE RADIAL LOADS IN POUNDS												
1-7/16-1-1/2	5400	4130	3960	3422	2844	2377	2322	2182	2195	1977	1876	1783	1766
1-11/16-1-3/4	5444	4322	3900	3677	2950	2803	2322	2190	2195	2077	1922	1743	1588
1-15/16-2	5766	4677	4233	3980	3233	2956	2523	2381	2276	2130	2043	1720	1870
2-3/16	7120	5122	5320	5233	5144	4978	3021	2922	2765	3040	2234	2387	2344
2-7/16-2-1/2	10433	7240	7344	6132	5677	5098	4324	4122	3972	3677	3560	3323	3245
2-11/16-3	10888	7688	7863	7098	6670	5442	4654	4453	4234	3866	3786	3637	
3-7/16-3-1/2	17213	12340	12887	10978	9878	8589	7376	6004	6122	6055			
3-15/16-4	21338	17455	15743	14300	13444	10823	9144	7987	8342				
4-7/16-4-1/2	26998	22678	21340	19878	16480	13523	10566	11204	11001				
4-15/16-5	33877	31222	26890	25667	23356	19473	14888	15877					

LIFE FACTORS

Hours	Factor	Hours	Factor
3,000	2.00	30,000	1.00
5,000	1.71	40,000	.92
10,000	1.39	75,000	.76
20,000	1.13	100,000	.70

SERVICE FACTORS

APPLICATION	MODIFYING FACTOR
Smooth Even Loads	1.00
Heavy Machinery up to 1000RPM	.92
Light Shock Loads	.75
Heavy Shock Loads Applications above 1000RPM	.60

EXAMPLE

To check two bearings on a shaft having a load equidistant between them subject to slight shock:

Desired Life - 20,000 Hours

Speed- 300 RPM

Shaft Size- 2-7/16"

Radial Load on Each Bearing- 3500 Lbs

Life Factor- 1.13

Service Factor -.75

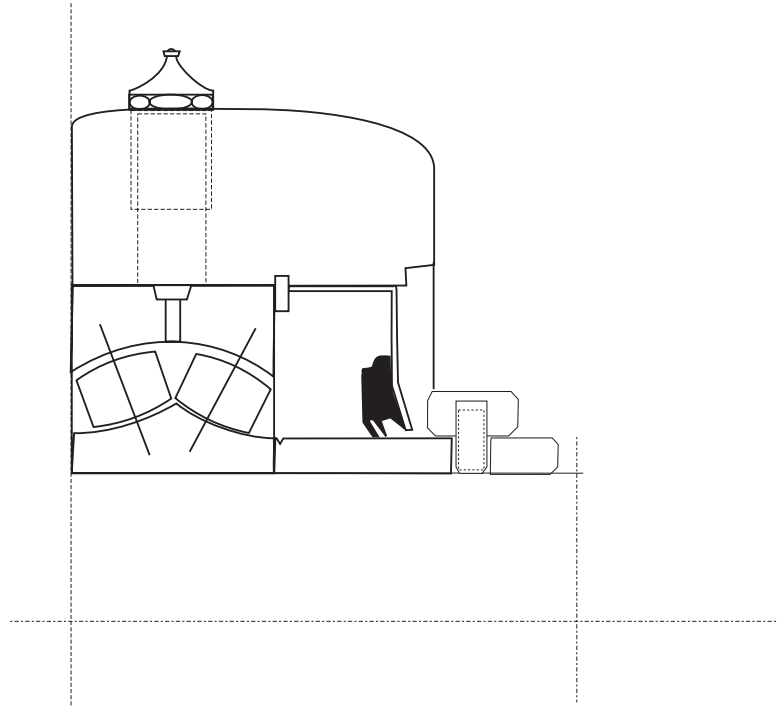
Bearing Rating from table- 6132

Permissible Load = 6132 X 1.13 X .75
= **5197 lbs**

Thus, the standard 2-7/16" 2000 Series Bearing having a permissible load capacity of 5197 lbs. is satisfactory for a 3500 lb imposed load

*Capacities for intermediate speeds can be ascertained through interpolation.

SEAL OPTIONS - TRIPLE GUARD SEALS



Standard on all 2000 series, IDC Select® triple guard is a labyrinth type contact seal that features a double lip molded contact with an outboard trash guard for positive contact even in a misalignment condition without the speed limitations that are common in most other manufacturers' seals. Two other seals are available: all steel labyrinth and full contact oil type. However, these are uncommon because the triple guard standard is so versatile.

Triple Seal Speed Limits

<u>Shaft size</u>	<u>RPM</u>	<u>Shaft Size</u>	<u>RPM</u>
1 ⁷ / ₁₆	2800	3 ⁷ / ₁₆	1200
1 ¹ / ₂	2800	3 ¹ / ₂	1200
1 ¹⁵ / ₁₆	2400	3 ¹¹ / ₁₆	1200
2	2400	3 ¹⁵ / ₁₆	1200
2 ³ / ₁₆	2150	4	1200
2 ⁷ / ₁₆	1800	4 ⁷ / ₁₆	1100
2 ¹⁵ / ₁₆	1600	4 ¹⁵ / ₁₆	900

Garter spring seal and high temperature seal available upon request.

IDC SELECT® BEARINGS

MOUNTED SPHERICAL UNITS

BEARING UNIT INTERCHANGE

2-BOLT PILLOW BLOCKS

IDC SELECT®	REX	LINKBELT	DODGE	BROWNING	SKF
IDC CA2107 IDC CA2108	ZA2107 ZA2108	PB22423 PB22424	P2B-S2-107R P2B-S2-108R	SPB1000NE1-7/16 SPB1000NE1-1/2	SYR1-7/16 SYR 1-1/2
IDC CA2111 IDC CA2112	ZA2111 ZA2112	PB22427 PB22428	P2B-S2-111R P2B-S2-112R	SPB1000NE1-11/16 SPB1000NE1-3/4	SYR1-11/16 SYR 1-3/4
IDC CA2115 IDC CA2200	ZA2115 ZA2200	PB22431 PB22432	P2B-S2-115R P2B-S2-200R	SPB1000NE1-15/16 SPB1000NE2	SYR1-15/16 SYR 2
IDC CA2203	ZA2203	PB22435	P2B-S2-203R	SPB1000NE2-3/16	SYR2-3/16
IDC CA2207 IDC CA2208	ZA2207 ZA2208	PB22439 PB22440	P2B-S2-207R P2B-S2-208R	SPB1000NE2-7/16 SPB1000NE3	SYR2-7/16 SYR 2-1/2
IDC CA2215 IDC CA2300	ZA2215 ZA2300	PB22447 PB22448	P2B-S2-215R P2B-S2-300R	SPB1000NE2-15/16 SPB1000NE3	SYR2-15/16 SYR 3
IDC CA2307 IDC CA2308	ZA2307 ZA2308	PB22455 PB22456	P2B-S2-307R P2B-S2-308R	SPB1000NE3-7/16 SPB1000NE3-1/2	SYR3-7/16 SYR 3-1/2
IDC CA2315 IDC CA2400	ZA2315 ZA2400	PB22463 PB22464	P2B-S2-315R P2B-S2-400R	SPB1000NE3-15/16 SPB1000NE4	SYR3-15/16 SYR 4

TYPE E 2 BOLT PILLOW BLOCK

IDC SELECT®	REX	LINKBELT	DODGE	BROWNING	SKF
IDC CEP2107 IDC CEP2108	ZEP2107 ZEP2108	EPB22423 EPB22424	P2B-E-107R P2B-E-108R	PB920 1-7/16 PB920 1-1/2	SYE1-7/16 SYE 1-1/2
	ZEP2111 ZEP2112	EPB22447 EPB22448	P2B-E-111R P2B-E-112R	PB920 1-11/16 PB920 1-3/4	SYE1-11/16 SYE 1-3/4
IDC CEP2115 IDC CEP2200	ZEP2115 ZEP2200	EPB22431 EPB22432	P2B-E-115R P2B-E-200R	PB920 1-15/16 PB920 2	SYE1-15/16 SYE 2
IDC CEP2203	ZEP2203	EPB22435	P2B-E-203R	PB920 2-3/16	SYE2-3/16
IDC CEP2207 IDC CEP2208	ZEP 2207 ZEP2208	EPB22439 EPB22440	P2B-E-207R P2B-E-208R	PB920 2-7/16 PB920 3	SYE2-7/16 SYE 2-1/2
IDC CEP2215 IDC CEP2300	ZEP2215 ZEP2300	EPB22447 EPB22448	P2B-E-215R P2B-E-300R	PB920 2-15/16 PB920 3	SYE2-15/16 SYE 3
IDC CEP2307 IDC CEP2308	ZEP2307 ZEP2308	EPB22455 EPB22456	P2B-E-307R P2B-E-308R	PB920 3-7/16 PB920 3-1/2	SYE3-7/16 SYE 3-1/2
IDC CEP2315 IDC CEP2400	ZEP2315 ZEP2400	EPB22463 EPB22464	P2B-E-315R P2B-E-400R	PB920 3-15/16 PB920 4	SYE3-15/16 SYE 4

PILOTED FLANGED BEARINGS

IDC SELECT®	REX	LINKBELT	DODGE	BROWNING	SKF
IDC CBRP2107 IDC CBR2108	ZBR2107 ZBR2108	FCB22423 FCB22424	FC-S2-107R FC-S2-108R	SFB1000NE1-7/16 SFB1000NE1-1/2	FYRP1-7/16 FYRP 1-1/2
IDC CBR2111 IDC CBR2112	ZBR2111 ZBR2112	FCB22427 FCB22428	FC-S2-111R FC-S2-112R	SFB1000NE1-11/16 SFB1000NE1-3/4	FYRP1-11/16 FYRP 1-3/4
IDC CBR2115 IDC CBR2200	ZBR2115 ZBR2200	FCB22431 FCB22432	FC-S2-115R FC-S2-200R	SFB1000NE1-15/16 SFB1000NE2	FYRP1-15/16 FYRP 2
IDC CBR2203	ZBR2203	FCB22435	FC-S2-203R	SFB1000NE2-3/16	FYRP2-3/16
IDC CBR2207 IDC CBR2208	ZBR 2207 ZBR2208	FCB22439 FCB22440	FC-S2-207R FC-S2-207R	SFB1000NE2-7/16 SFB1000NE3	FYRP2-7/16 FYRP 2-1/2
IDC CBR2215 IDC CBR2300	ZBR2215 ZBR2300	FCB22447 FCB22448	FC-S2-215R FC-S2-300R	SFB1000NE2-15/16 SFB1000NE3	FYRP2-15/16 FYRP 3
IDC CBR2307 IDC CBR2308	ZBR2307 ZBR2308	FCB22455 FCB22456	FC-S2-307R FC-S2-308R	SFB1000NE3-7/16 SFB1000NE3-1/2	FYRP3-7/16 FYRP 3-1/2
IDC CBR2315 IDC CBR2400	ZBR2315 ZBR2400	FCB22463 FCB22464	FC-S2-315R FC-S2-400R	SFB1000NE3-15/16 SFB1000NE4	FYRP3-15/16 FYRP4

TYPE E 4 BOLT PILLOW BLOCK

IDC SELECT®	REX	LINKBELT	DODGE	BROWNING	SKF
IDC CEP2207F IDC CEP2208F	ZEP2207F ZEP2208F	EPB22439F EPB22440F	P4B-E-207R P4B-E-208R	PB920 2-7/16F PB920 3	FSYE2-7/16 FYE 2-1/2
IDC CEP2215F IDC CEP2300F	ZEP2215F ZEP2300F	EPB22447F EPB22448F	P4B-E-215R P4B-E-300R	PB920 2-15/16F PB920 3F	FSYE2-15/16 FSYE 3
IDC CEP2307F IDC CEP2308F	ZEP2307F ZEP2308F	EPB22455F EPB22456F	P4B-E-307R P4B-E-308R	PB 920 3-7/16F PB 920 3-1/2F	FSYE3-7/16 FSYE 3-1/2
IDC CEP2315F IDC CEP2400F	ZEP2315F ZEP2400F	EPB22463F EPB22464F	P4B-E-315R P4B-E-400R	PB920 3-15/16F PB920 4F	FSYE3-15/16 FSYE 4
IDC CEP2407F IDC CEP2408F	ZEP5407F ZEP5408F	EPB22471F EPB22472F	P4B-E-407R P4B-E-408R	PB920 4-7/16F PB920 4-1/2F	
IDC CEP2415F	ZEP5415F ZEP5500F	EPB22479F EPB22480F	P4B-E-415R P4B-E-500R	PB920 4-15/16F	

FLANGE BEARING

IDC SELECT®	REX	LINKBELT	DODGE	BROWNING	SKF
IDC CB2107 IDC CB2108	ZB2107 ZB2108	FB22423 FB22424	F3R-S2-107R F3R-S2-108R	SFC1000NE1-7/16 SFC1000NE1-1/2	FYR1-7/16 FYR 1-1/2
	ZB2111 ZB2112	FB22427 FB22428	F4R-S2-111R F4R-S2-112R	SFC1000NE1-11/16 SFC1000NE1-3/4	FYR1-11/16 FYR 1-3/4
IDC CB2115 IDC CB2200	ZB2115 ZB2200	FB22431 FB22432	F4R-S2-115R F4R-S2-200R	SFC1000NE1-15/16 SFC1000NE2	FYR1-15/16 FYR 2
IDC CB2203	ZB2203	FB22435	F4R-S2-203R	SFC1000NE2-3/16	FYR2-3/16
IDC CB2207 IDC CB2208	ZB 2207 ZB2208	FB22439 FB22440	F4R-S2-207R F4R-S2-208R	SFC1000NE2-7/16 SFC1000NE3	FYR2-7/16 FYR 2-1/2
IDC CB2215 IDC CB2300	ZB2215 ZB2300	FB22447 FB22448	F4R-S2-215R F4R-S2-300R	SFC1000NE2-15/16 SFC1000NE3	FYR2-15/16 FYR 3
IDC CB2307 IDC CB2308	ZB2307 ZB2308	FB22455 FB22456	SCB1000NE3-7/16 SCB1000NE3-1/2	FYR3-7/16 FYR 3-1/2	
IDC CB2315 IDC CB2400	ZB2315 ZB2400	FB22463 FB22464	SCB1000NE3-15/16 SCB1000NE4	FYR3-15/16 FYR 4	

CT SERIES TAKEUP

IDC SELECT®	REX	LINKBELT	DODGE	BROWNING	SKF
IDC CT2107 IDC CT2108	ZT2107 ZT2108	TB22423 TB22424	WSTU-S2-107R WSTU-S2-108R		TBR1-7/16 TBR 1-1/2
	ZT2111 ZT2112	TB22427 TB22428	WSTU-S2-111R WSTU-S2-112R		TBR1-11/16 TBR 1-3/4
IDC CT2115 IDC CT2200	ZT2115 ZT2200	TB22431 TB22432	WSTU-S2-115R WSTU-S2-200R	STU 1-15/16 STU 2	TBR1-15/16 TBR 2
IDC CT2203	ZT2203	TB22435	WSTU-S2-203R	STU 2-3/16	TBR2-3/16
IDC CT2207 IDC CT2208	ZT2207 ZT2208	TB22439 TB22440	WSTU-S2-215R WSTU-S2-300R	STU 2-7/16 STU 3	TBR2-7/16 TBR 2-1/2
IDC CT2215 IDC CT2300	ZT2215 ZT2300	TB22447 TB22448	WSTU-S2-215R WSTU-S2-300R	STU 2-15/16 STU 3	TBR2-15/16 TBR 3
IDC CT2307 IDC CT2308	ZT2307 ZT2308	TB22455 TB22456	WSTU-S2-307R WSTU-S2-308R	STU 3-7/16 STU 3-1/2	TBR3-7/16 TBR 3-1/2
IDC CT2315 IDC CT2400	ZT2315 ZT2400	TB22463 TB22464	WSTU-S2-315R WSTU-S2-400R	STU 3-15/16 STU 4	TBR3-15/16 TBR 4
IDC CT2407 IDC CT2408	ZT5407 ZT5408				
IDC CT2415	ZT5415 ZT5500				

Caution: some manufacturers locate grease access holes and/or anti-rotation devices at different positions. All shown in 1" size

IDC SELECT® BEARINGS

MOUNTED SPHERICAL UNITS

BEARING UNIT INTERCHANGE

CHT FRAMES

IDC SELECT®	REX	DODGE	BROWNING	SKF
IDC CHT6- IDC CHT6-	ZHT6- ZHT6-	CP400	-T1000D -T1000D	TBR1- ¹⁵ / ₁₆ TBR 2
IDC CHT7-	ZHT7-	CP408	-T1000EL	TBR2- ³ / ₁₆
IDC CHT8- IDC CHT8-	ZHT8- ZHT8-	CP502	-T1000F -T1000F	TBR2- ⁷ / ₁₆ TBR 2- ¹ / ₂
IDC CHT9- IDC CHT9-	ZHT9- ZHT9-	CP515	-T1000GL -T1000GL	TBR2- ¹⁵ / ₁₆ TBR 3
IDC CHT10- IDC CHT10-	ZHT10- ZHT10-	CP613	-T1000JL -T1000JL	TBR3- ⁷ / ₁₆ TBR 3- ¹ / ₂
IDC CHT11- IDC CHT11-	ZHT11- ZHT11-	CP810	-T1000K -T1000K	TBR3- ¹⁵ / ₁₆ TBR 4
IDC CHT12- IDC CHT12-	ZHT12- ZHT11-			
IDC CHT13- IDC CHT13-	ZHT11- ZHT11-			

N SERIES TAKEUP

IDC SELECT®	REX	LINKBELT	SKF
IDC CN2107 IDC CN2108	ZN2107 ZN2108	DSB22423 DSB22424	TRH1- ⁷ / ₁₆ TRH 1- ¹ / ₂
	ZN2111 ZN2112	DSB2427 DSB22428	TYH1- ¹¹ / ₁₆ TRH 1- ³ / ₄
IDC CN2115 IDC CN2200	ZN2115 ZN2200	DSB22431 DSB22432	TRH1- ¹⁵ / ₁₆ TRH 2
IDC CN2203	ZN2203	DSB22435	TRH2- ³ / ₁₆
IDC CN2207 IDC CN2208	ZN2207 ZN2208	DSB22439 DSB22440	TRH2- ⁷ / ₁₆ TRH 2- ¹ / ₂
IDC CN2215 IDC CN2300	ZN2215 ZN2300	DSB22447 DSB22448	TRH2- ¹⁵ / ₁₆ TRH 3
IDC CN2307 IDC CN2308	ZN2307 ZN2308	DSB22455 DSB22456	TRH3- ⁷ / ₁₆ TRH 3- ¹ / ₂
IDC CN2315 IDC CN2400	ZN2315 ZN2400	PB22463 PB22464	TRH3- ¹⁵ / ₁₆ TRH 4

CNT FRAMES

IDC SELECT®	REX	LINKBELT	DODGE	BROWNING	SKF
IDC CNT6- IDC CNT6-	ZNT6- ZNT6-	DSB22431 DSB22432	Note: This Frame Does Not Interchange with industry standards.	Note: This Frame Does Not Interchange with industry standards.	TRH1- ¹⁵ / ₁₆ TRH 2
IDC CNT7-	ZNT7-	DSB22435			TRH2- ³ / ₁₆
IDC CNT8- IDC CNT8-	ZNT8- ZNT8-	DSB22439 DSB22440	The complete frame and block is interchangeable, but the frame alone is not.	The complete frame and block is interchangeable, but the frame alone is not.	TRH2- ⁷ / ₁₆ TRH 2- ¹ / ₂
IDC CNT9- IDC CNT9-	ZNT9- ZNT9-	DSB22447 DSB22448			TRH2- ¹⁵ / ₁₆ TRH 3
IDC CNT10- IDC CNT10-	ZNT10- ZNT10-	DSB22455 DSB22456			TRH3- ⁷ / ₁₆ TRH 3- ¹ / ₂
IDC CNT11- IDC CNT11-	ZNT11- ZNT11-	DSB22463 DSB22464			TRH3- ¹⁵ / ₁₆ TRH 4

IDC Select® 2000 series bearings ship standard as non-expansion. However, all IDC Select® bearings are available as expansion by adding “exp” as the suffix to the part number. Bearings can also be easily converted in the field by removing a snap ring.

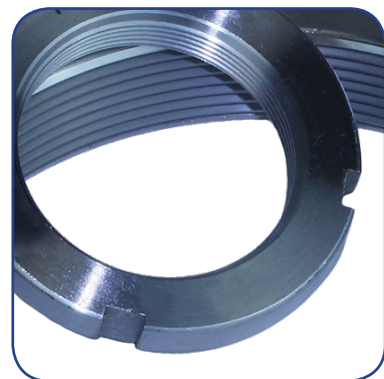
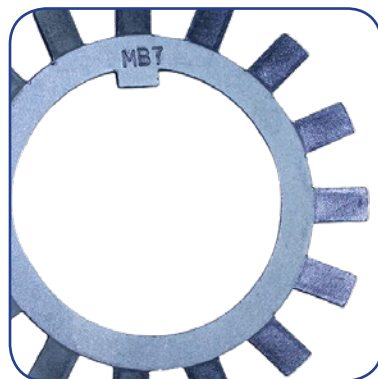
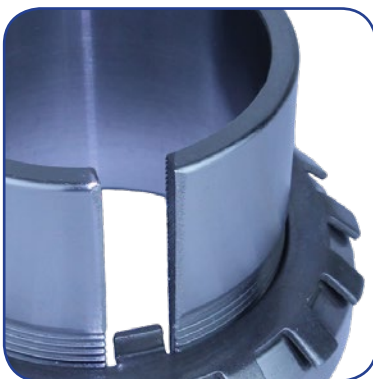
Contact info@IDCselect.com for more details.

SAF HOUSINGS

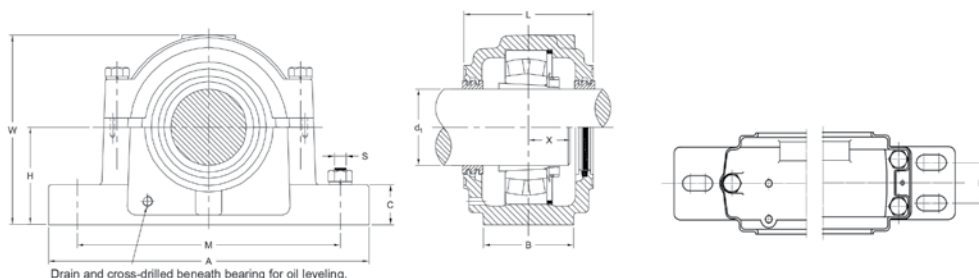
These split-block housed units accept self-aligning ball or spherical roller bearings with adapter sleeves. Units have separate matched caps and bases. They are available in rugged cast iron with two bolt (SAF) and four bolt (FSAF) base designs. SAF housings are supplied with standard LER rings and a stabilizing ring that can be removed to convert the unit from fixed to floating design.

IDC Select® carries popular sizes of nylon locknuts. For example, “IDC SN04” is the part number designation for a nylon N04 unit.

Use IDC Select® SAF housed units in industry applications in power generation, mining, cement, metals, pulp and paper, and waste water treatment.



SAF 500 SERIES PILLOW BLOCK HOUSINGS & ACCESSORIES



Part No.	Shaft Size d ₁	H	W	L	a	b	c	M max	M min	n	S Bolt	Cap Bolt	Wt. lb
IDC SAF513	2 ³ / ₁₆	3.000	5.94	4.25	11.00	3.13	1.00	9.50	8.13	—	(2) 5/8	(2) 1/2-13X2"	19.0
IDC SAF515	2 ⁷ / ₁₆	3.250	6.38	4.63	11.25	3.13	1.13	9.63	8.63	—	(2) 5/8	(2) 1/2-13X2-3/4"	30.0
IDC SAF516	2 ¹ / ₁₆	3.500	6.88	4.75	13.00	3.50	1.19	11.00	9.63	—	(2) 3/4	(2) 1/2-13X2-3/4"	37.0
IDC SAF517	2 ¹⁵ / ₁₆	3.750	7.31	4.81	13.00	3.50	1.25	11.00	9.88	—	(2) 3/4	(2) 1/2-13X2-3/4"	40.0
IDC FSAF517	2 ¹⁵ / ₁₆	3.750	7.31	4.81	13.00	3.50	1.25	11.00	9.88	2.13	(4) 5/8	(2) 1/2-13X2-3/4"	39.1
IDC SAF520	3 ¹ / ₁₆	4.500	8.75	5.81	15.25	4.38	1.75	13.13	11.63	—	(2) 7/8	(2) 3/8-11X4"	65.0
IDC FSAF520	3 ¹ / ₁₆	4.500	8.75	5.81	15.25	4.38	1.75	13.13	11.63	2.38	(4) 3/4	(2) 3/8-11X4"	64.1
IDC SAF522	3 ¹⁵ / ₁₆	4.938	9.63	6.44	16.50	4.75	2.00	14.50	12.63	2.75	(4) 3/4	(4) 3/4-10X4"	81.0
IDC SAF524	4 ¹ / ₁₆	5.250	10.25	7.13	16.50	4.75	2.13	14.50	13.25	2.75	(4) 3/4	(4) 3/4-10X4"	94.0
IDC SAF526	4 ⁷ / ₁₆	6.000	11.50	7.75	18.38	5.13	2.38	16.00	14.63	3.25	(4) 7/8	(4) 3/4-10X4-3/4"	137.0
IDC SAF528	4 ¹⁵ / ₁₆	6.000	11.75	7.38	20.13	5.88	2.38	17.13	16.00	3.38	(4) 1	(4) 3/4-10X5"	159.0
IDC SAF532	5 ¹ / ₁₆	6.688	13.31	8.50	22.00	6.25	2.63	19.25	17.38	3.75	(4) 1	(4) 3/4-10X5"	225.0
IDC SAF534	5 ¹⁵ / ₁₆	7.063	14.19	9.25	24.75	6.75	2.75	21.63	19.38	4.25	(4) 1	(4) 3/4-10X5-1/2"	300.0
IDC SAF538	6 ¹⁵ / ₁₆	7.875	15.69	10.50	28.00	7.50	3.13	24.38	21.63	4.50	(4) 1-1/4	(4) 7/8-9X6"	375.0

IDC (F)SAF513 - (F)SAF520 are supplied with a two bolt cap, IDC SAF522 - SAF538 are supplied with a 4 bolt cap as standard.

Shaft Size (in)	Housing Part No.	Bearing Part No.	Adapter SNW Type Part No.	Seals LER Part No.	Stabilizing Rings		Weight (lb)
					Part No.	Qty.	
2 ³ / ₁₆	SAF513	2213K	SNW13X203	LERA29	SR13-0	1	19
	FSAF513	22213K	SNW13X203		SR13-0	1	18.3
2 ⁷ / ₁₆	SAF515	2215K	SNW15X207	LERA37	SR15-0	1	18.3
	FSAF515	22215K	SNW15X207		SR15-0	1	17.9
2 ¹ / ₁₆	SAF516	2216K	SNW16X211	LERA44	SR16-13	1	27.3
	FSAF516	22216K	SNW16X211		SR16-13	1	26.9
2 ¹⁵ / ₁₆	SAF517	2217K	SNW17X215	LERA53	SR17-14	1	31.8
	FSAF517	22217K	SNW17X215		SR17-14	1	29.8
3 ¹ / ₁₆	SAF520	2220K	SNW20X307	LERA102	SR20-17	1	52.5
	FSAF520	22220K	SNW20X307		SR20-17	1	50.3
3 ¹⁵ / ₁₆	SAF522	2222K	SNW22X315	LERA109	SR22-19	1	69.2
	SAF522	22222K	SNW22X315		SR22-19	1	69.2
4 ¹ / ₁₆	SAF524	22224K	SNW24X403	LERA113	SR24-0	1	71.2
4 ⁷ / ₁₆	SAF526	22226K	SNW26X407	LERA117	SR26-0	1	94.8
4 ¹⁵ / ₁₆	SAF528	22228K	SNW28X415	LERA122	SR28-0	1	110
5 ¹ / ₁₆	SAF532	22232K	SNW32X507	LERA130	SR32-0	1	158
5 ¹⁵ / ₁₆	SAF534	22234K	SNW34X515	LERA140	SR34-0	1	185
6 ¹⁵ / ₁₆	SAF538	22238K	SNW38X615	LERA155	SR38-32	1	285



IDC SELECT® BEARINGS

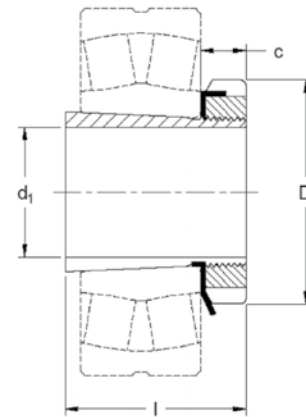
SAF HOUSINGS

SAF HOUSINGS

ADAPTER SLEEVES

SNW 00 SERIES INCH BORE

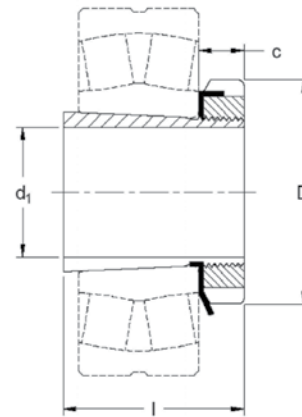
Part No.	Dimension (in)				Nut	Lock Washer	Weight lb
	d _i	l	D	c			
IDC SNW9X106	1-3/8	1.58	2.53	0.50	N09	W09	0.6
IDC SNW9X107	1-7/16	1.58	2.53	0.50	N09	W09	0.6
IDC SNW9X108	1-1/2	1.58	2.53	0.50	N09	W09	0.6
IDC SNW10X110	1-5/8	1.77	2.69	0.56	N10	W10	0.7
IDC SNW10X111	1-11/16	1.77	2.69	0.56	N10	W10	0.7
IDC SNW10X112	1-3/4	1.77	2.69	0.56	N10	W10	0.7
IDC SNW11X112	1-3/4	1.85	2.97	0.56	N11	W11	0.8
IDC SNW11X113	1-13/16	1.85	2.97	0.56	N11	W11	0.8
IDC SNW11X114	1-7/8	1.85	2.97	0.56	N11	W11	0.8
IDC SNW11X115	1-15/16	1.85	2.97	0.56	N11	W11	0.9
IDC SNW11X200	2	1.85	2.97	0.56	N11	W11	0.9
IDC SNW13X200	2	2.10	3.38	0.63	N13	W13	1.0
IDC SNW13X203	2-3/16	2.10	3.38	0.63	N13	W13	1.4
IDC SNW13X204	2-1/4	2.10	3.38	0.63	N13	W13	1.4
IDC SNW13X205	2-5/16	2.10	3.38	0.63	N13	W13	1.3
IDC SNW15X206	2-3/8	2.30	3.88	0.67	AN15	W15	2.4
IDC SNW15X207	2-7/16	2.30	3.88	0.67	AN15	W15	2.3
IDC SNW15X208	2-1/2	2.30	3.88	0.67	AN15	W15	2.2
IDC SNW15X210	2-5/8	2.30	3.88	0.67	AN15	W15	2.2
IDC SNW16X211	2-11/16	2.38	4.16	0.67	AN16	W16	2.4
IDC SNW16X212	2-3/4	2.38	4.16	0.67	AN16	W16	2.4
IDC SNW17X215	2-15/16	2.49	4.41	0.70	AN17	W17	2.9
IDC SNW17X300	3	2.49	4.41	0.70	AN17	W17	2.9



ADAPTER SLEEVES

SNW 00 SERIES INCH BORE

Part No.	Dimension (in)				Nut	Lock Washer	Weight lb
	d _i	l	D	c			
IDC SNW18X303	3 -3/16	2.65	4.66	0.78	AN18	W18	4.0
IDC SNW18X304	3-1/4	2.49	4.66	0.78	AN18	W18	4.0
IDC SNW20X307	3-7/16	2.87	5.19	0.84	AN20	W20	4.0
IDC SNW20X308	3-1/2	2.87	5.19	0.84	AN20	W20	4.0
IDC SNW22X311	3-11/16	3.21	5.72	0.91	AN22	W22	4.9
IDC SNW22X315	3-15/16	3.21	5.72	0.91	AN22	W22	4.8
IDC SNW22X400	4	3.21	5.72	0.91	AN22	W22	4.8
IDC SNW24X403	4-3/16	3.47	6.13	0.94	AN24	W24	6.2
IDC SNW24X404	4-1/4	3.47	6.13	0.94	AN24	W24	6.2
IDC SNW26X407	4-7/16	3.76	6.75	1.00	AN26	W26	9.7
IDC SNW26X408	4-1/2	3.76	6.75	1.00	AN26	W26	9.7
IDC SNW28X414	4 7/8	3.98	7.09	1.06	AN28	W28	10.5
IDC SNW28X415	4-15/16	3.98	7.09	1.06	AN28	W28	10.5
IDC SNW28X500	5	3.98	7.09	1.06	AN28	W28	10.5
IDC SNW30503	5-3/16	4.24	7.69	1.13	AN30	W30	16.0
IDC SNW30X504	5-1/4	4.24	7.69	1.13	AN30	W30	16.0
IDC SNW32X507	5-7/16	4.58	8.06	1.19	AN32	W32	16.0
IDC SNW32X508	5-1/2	4.58	8.06	1.19	AN32	W32	16.0
IDC SNW32X512	5-3/4	4.58	8.06	1.19	AN32	W32	16.0
IDC SNW34X515	5-15/16	4.85	8.66	1.22	AN34	W34	19.5
IDC SNW34X600	6	4.85	8.66	1.22	AN34	W34	19.5
IDC SNW36X607	6-7/16	5.04	9.06	1.25	AN36	W36	20.5
IDC SNW36X608	6-1/2	5.04	9.06	1.25	AN36	W36	20.5



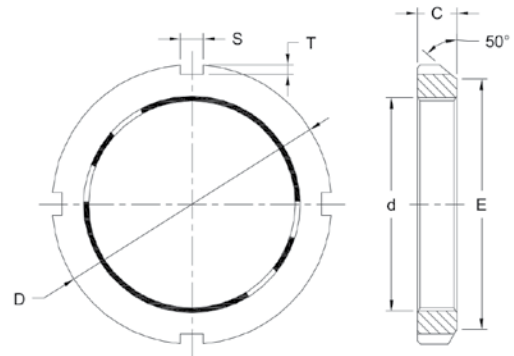
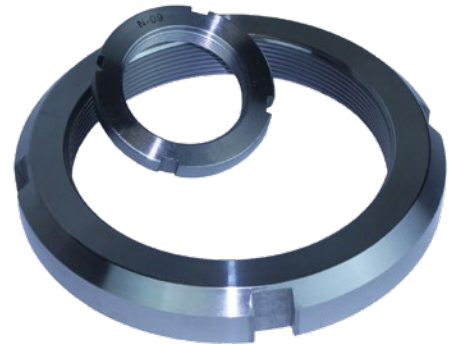
IDC SELECT® BEARINGS

SAF HOUSINGS

SAF HOUSINGS

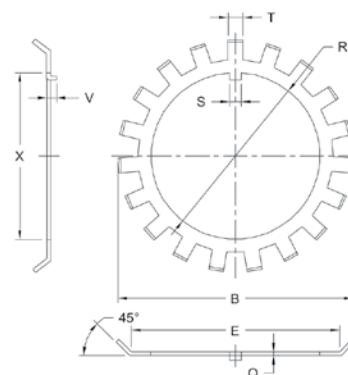
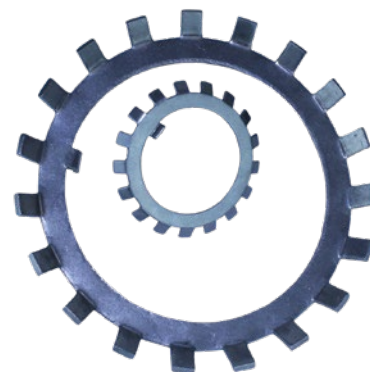
NOO SERIES LOCK NUTS

Part No.	Threads		D	E	C	S min.	T max.	Wt. lb
	Major Dia. d	No. per In.						
IDC N00	0.391	32	0.755	0.625	0.229	0.120	0.073	0.01
IDC N01	0.469	32	0.880	0.719	0.323	0.120	0.073	0.02
IDC N02	0.586	32	1.005	0.813	0.323	0.120	0.104	0.02
IDC N03	0.664	32	1.130	0.938	0.354	0.120	0.104	0.03
IDC N04	0.781	32	1.380	1.125	0.385	0.178	0.104	0.04
IDC N05	0.969	32	1.568	1.281	0.416	0.178	0.104	0.05
IDC N06	1.173	18	1.755	1.500	0.416	0.178	0.104	0.10
IDC N07	1.376	18	2.068	1.813	0.448	0.178	0.104	0.11
IDC N08	1.563	18	2.255	2.000	0.448	0.240	0.104	0.19
IDC N09	1.767	18	2.536	2.281	0.448	0.240	0.104	0.36
IDC N10	1.967	18	2.693	2.438	0.510	0.240	0.104	0.33
IDC N11	2.157	18	2.974	2.656	0.510	0.240	0.135	0.35
IDC N12	2.360	18	3.161	2.844	0.541	0.240	0.135	0.38
IDC N13	2.548	18	3.380	3.063	0.573	0.240	0.135	0.45
IDC N14	2.751	18	3.630	3.313	0.573	0.240	0.135	0.53
IDC N15	2.933	11	3.880	3.563	0.604	0.360	0.135	0.63
IDC AN15	2.933	12	3.880	3.563	0.604	0.360	0.135	0.63
IDC AN16	3.137	12	4.161	3.844	0.604	0.360	0.135	0.88
IDC AN17	3.340	12	4.411	4.031	0.635	0.360	0.166	0.99
IDC AN18	3.527	12	4.661	4.281	0.698	0.360	0.166	1.23
IDC AN19	3.730	12	4.943	4.563	0.729	0.360	0.166	1.45
IDC AN20	3.918	12	5.193	4.813	0.760	0.360	0.166	1.54
IDC AN21	4.122	12	5.443	5.000	0.760	0.485	0.198	1.86
IDC AN22	4.325	12	5.724	5.281	0.791	0.485	0.198	2.13
IDC AN24	4.716	12	6.130	5.688	0.823	0.485	0.198	2.38
IDC AN26	5.106	12	6.755	6.188	0.885	0.610	0.260	2.76
IDC AN28	5.497	12	7.099	6.531	0.948	0.610	0.360	3.44
IDC AN30	5.888	12	7.693	7.063	0.979	0.610	0.391	4.48
IDC AN32	6.284	8	8.068	7.438	1.041	0.610	0.291	5.71
IDC AN34	6.659	8	8.661	8.031	1.073	0.610	0.291	6.17
IDC AN36	7.066	8	9.068	8.375	1.104	0.735	0.323	6.77
IDC AN38	7.472	8	9.474	8.781	1.135	0.735	0.323	7.47
IDC AN40	7.847	8	9.849	9.156	1.198	0.735	0.323	8.14
IDC AN44	8.628	8	11.005	9.843	1.260	0.980	0.510	11.5



W00 SERIES LOCK WASHERS

Part No.	Bore R	E	B	S	X min.	No. of Tangs	V	T	Q
		W00	W00	W00	W00		W00	W00	W00
IDC W00	0.406	0.625	0.875	0.12	0.334	9	0.062	0.12	0.032
IDC W01	0.484	0.719	1.016	0.12	0.412	9	0.062	0.12	0.032
IDC W02	0.601	0.813	1.156	0.12	0.529	11	0.062	0.12	0.032
IDC W03	0.679	0.938	1.328	0.12	0.607	11	0.062	0.12	0.032
IDC W04	0.801	1.125	1.531	0.176	0.729	11	0.062	0.166	0.032
IDC W05	0.989	1.281	1.719	0.176	0.909	13	0.094	0.166	0.04
IDC W06	1.193	1.5	1.922	0.176	1.093	13	0.094	0.166	0.04
IDC W07	1.396	1.813	2.25	0.176	1.296	15	0.094	0.166	0.04
IDC W08	1.583	2	2.469	0.29	1.475	15	0.094	0.234	0.048
IDC W09	1.792	2.281	2.734	0.29	1.684	17	0.125	0.234	0.048
IDC W10	1.992	2.438	2.922	0.29	1.884	17	0.125	0.234	0.048
IDC W11	2.182	2.656	3.109	0.29	2.069	17	0.125	0.234	0.053
IDC W12	2.4	2.844	3.344	0.29	2.267	17	0.125	0.234	0.053
IDC W13	2.588	3.063	3.578	0.29	2.455	19	0.125	0.234	0.053
IDC W14	2.791	3.313	3.828	0.29	2.658	19	0.188	0.234	0.053
IDC W15	2.973	3.563	4.109	0.29	2.831	19	0.188	0.328	0.062
IDC W16	3.177	3.844	4.375	0.353	3.035	19	0.188	0.328	0.062
IDC W17	3.395	4.031	4.625	0.353	3.253	19	0.188	0.328	0.062
IDC W18	3.582	4.281	4.938	0.353	3.418	19	0.188	0.328	0.084
IDC W19	3.8	4.563	5.219	0.353	3.636	19	0.188	0.328	0.084
IDC W20	3.988	4.813	5.5	0.353	3.809	19	0.25	0.328	0.084
IDC W21	4.192	5	5.703	0.353	4.013	19	0.25	0.39	0.084
IDC W22	4.395	5.281	6.063	0.353	4.185	19	0.25	0.39	0.115
IDC W24	4.801	5.688	6.469	0.353	4.591	19	0.25	0.39	0.115
IDC W26	5.191	6.188	7.031	0.435	4.961	19	0.25	0.52	0.115
IDC W28	5.582	6.531	7.438	0.59	5.352	19	0.25	0.52	0.115
IDC W30	5.983	7.063	8.063	0.59	5.722	19	0.313	0.52	0.146
IDC W32	6.389	7.438	8.438	0.59	6.128	19	0.313	0.52	0.146
IDC W34	6.764	8.031	9.063	0.715	6.503	19	0.313	0.52	0.146
IDC W36	7.171	8.375	9.438	0.715	6.91	19	0.313	0.645	0.146
IDC W38	7.577	8.781	9.875	0.715	7.316	19	0.313	0.645	0.146
IDC W40	7.982	9.156	10.313	0.84	7.721	19	0.313	0.645	0.146
IDC W44	8.701	9.875	11.438	0.94	8.327	19	—	0.878	0.146



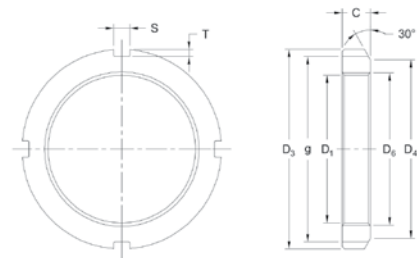
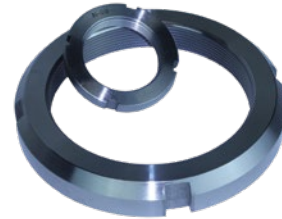
IDC SELECT® BEARINGS

SAF HOUSINGS

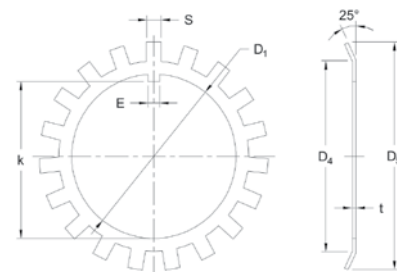
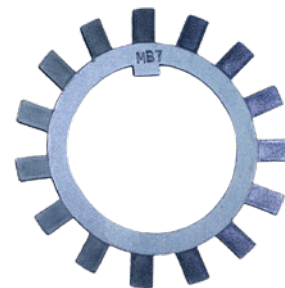
SAF HOUSINGS

METRIC LOCK NUTS & LOCK WASHERS

Part No.	D ₃	D ₄	g	D ₁	C	S	T	D ₆	Wt. kg
IDC KM3	28	24	24	M17 x 1.00	5	4	2	17.5	0.01
IDC KM4	32	26	26	M20 x 1.00	6	4	2	20.5	0.02
IDC KM5	38	32	34	M25 x 1.50	7	5	2	25.8	0.03
IDC KM6	45	38	41	M30 x 1.50	7	5	2	30.8	0.04
IDC KM7	52	44	48	M35 x 1.50	8	5	2	35.8	0.05
IDC KM8	58	50	53	M40 x 1.50	9	6	2.5	40.8	0.09
IDC KM9	65	56	60	M45 x 1.50	10	6	2.5	45.8	0.12
IDC KM10	70	61	65	M50 x 1.50	11	6	2.5	50.8	0.15
IDC KM11	75	67	69	M55 x 2.00	11	7	3	56.0	0.16
IDC KM12	80	73	74	M60 x 2.00	11	7	3	61.0	0.17
IDC KM13	85	79	79	M65 x 2.00	12	7	3	66.0	0.20
IDC KM14	95	85	85	M70 x 2.00	12	8	3.5	71.0	0.24
IDC KM15	98	90	91	M75 x 2.00	13	8	3.5	76.0	0.29
IDC KM16	105	95	98	M80 x 2.00	15	8	3.5	81.0	0.40
IDC KM17	110	102	103	M85 x 2.00	16	8	3.5	86.0	0.45
IDC KM18	120	108	112	M90 x 2.00	16	10	4	91.0	0.56
IDC KM19	125	113	117	M95 x 2.00	17	10	4	96.0	0.66
IDC KM20	130	120	122	M100 x 2.00	18	10	4	101.0	0.70



Part No.	D ₁	k	E	t	S	D ₄	D ₅	Tangs	Use with Lock Nut	Wt. kg/1000 Pcs
IDC MB3	17	15.5	4	1	4	24	32	13	KM3	0.32
IDC MB4	20	18.5	4	1	4	26	36	13	KM4	0.35
IDC MB5	25	23	5	1.2	5	32	42	13	KM5	0.64
IDC MB6	30	27.5	5	1.2	5	38	49	13	KM6	0.78
IDC MB7	35	32.5	6	1.2	5	44	57	15	KM7	1.04
IDC MB8	40	37.5	6	1.2	6	50	62	15	KM8	1.23
IDC MB9	45	42.5	6	1.2	6	56	69	17	KM9	1.52
IDC MB10	50	47.5	6	1.2	6	61	74	17	KM10	1.6
IDC MB11	55	52.5	8	1.2	7	67	81	17	KM11	1.96
IDC MB12	60	57.5	8	1.5	7	73	86	17	KM12	2.53
IDC MB13	65	62.5	8	1.5	7	79	92	19	KM13	2.9
IDC MB14	70	66.5	8	1.5	8	85	98	19	KM14	3.34
IDC MB15	75	71.5	8	1.5	8	90	104	19	KM15	3.56
IDC MB16	80	76.5	10	1.8	8	95	112	19	KM16	4.64
IDC MB17	85	81.5	10	1.8	8	102	119	19	KM17	5.24
IDC MB18	90	86.5	10	1.8	10	108	126	19	KM18	6.23
IDC MB19	95	91.5	10	1.8	10	113	133	19	KM19	6.7
IDC MB20	100	96.5	12	1.8	10	120	142	19	KM20	7.65

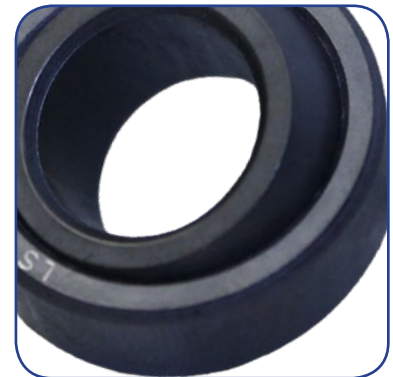
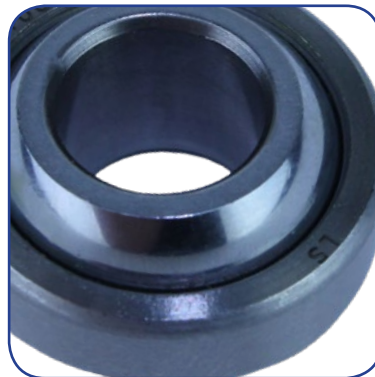


SPHERICAL PLAIN BEARINGS

Spherical plain bearings are manufactured in a wide variety of materials to offer bearing solutions in almost any operating environment. IDC Select® bearings offer a line of spherical bearings in inch and metric.

They utilize inner and outer rings with spherical sliding surfaces, and can accommodate heavy radial loads and bi-directional axial loads at the same time. The variety of designs offer misalignment, angular contact, an extended inner ring, case carburized, and enhanced lubrication groove spherical bearing designs.

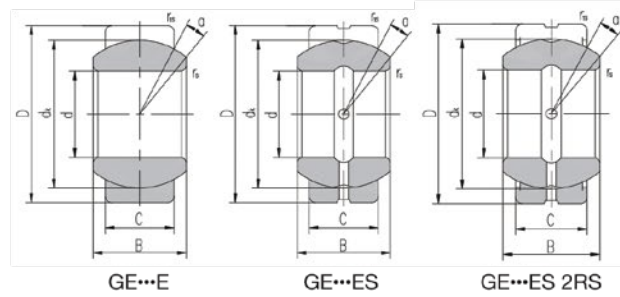
These products are used in pivoting, high load bearing applications where angular misalignment is required. Most typically, spherical plain bearings are employed in hydraulic cylinder rod ends, vehicle steering linkage suspensions, heavy equipment articulated joints, and other severe duty uses.



IDC SELECT® BEARINGS

SPHERICAL PLAIN BEARINGS

GEZ SERIES



Specifications

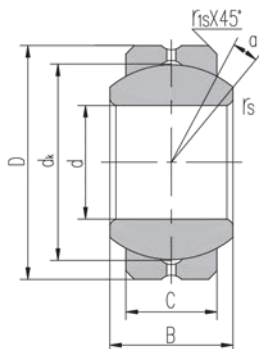
- Sliding Surface: Steel on Steel - MoS₂ treated
- Single Fracture Design
- Relubricatable through annular grooves & oil holes in inner & outer rings (ES – Suffix)

Part No.	Dimensions						mm/inch		Load Ratings kN		Weight LBS
	d	D	B	C	d _k	r _s min	r _b min	α ≈	Dynamic	Static	
IDC GEZ 008ES	0.5	0.875	0.437	0.375	0.707	0.006	0.024	6	13	41	.048
IDC GEZ 010ES	0.625	1.0625	0.547	0.469	0.904	0.006	0.024	6	22	65	.079
IDC GEZ 012ES	0.75	1.25	0.656	0.562	1.081	0.012	0.024	6	31	95	.12
IDC GEZ 014ES	0.875	1.4375	0.756	0.656	1.258	0.012	0.024	6	42	127	.19
IDC GEZ 100ES	1	1.625	0.875	0.75	1.437	0.012	0.024	6	56	166	.27
IDC GEZ 104ES	1.25	2	1.093	0.937	1.788	0.024	0.024	6	86	260	.51
IDC GEZ 106ES	1.375	2.1875	1.187	1.031	1.926	0.024	0.04	6	102	310	.77
IDC GEZ 108ES	1.5	2.4375	1.312	1.125	2.154	0.024	0.04	6	125	375	.92
IDC GEZ 112ES	1.75	2.8125	1.531	1.312	2.511	0.024	0.04	6	170	510	1.41
IDC GEZ 200ES	2	3.1875	1.75	1.5	2.869	0.024	0.04	6	224	670	2.05
IDC GEZ 204ES	2.25	3.5625	1.969	1.687	3.223	0.024	0.04	6	280	850	2.90
IDC GEZ 208ES	2.5	3.9375	2.187	1.875	3.616	0.04	0.04	6	355	1060	4.07
IDC GEZ 212ES	2.75	4.375	2.406	2.062	3.937	0.04	0.04	6	415	1250	5.28
IDC GEZ 300ES	3	4.75	2.625	2.25	4.303	0.04	0.04	6	500	1500	6.82
IDC GEZ 304ES	3.25	5.125	2.844	2.437	4.685	0.04	0.04	6	585	1760	8.36
IDC GEZ 308ES	3.5	5.5	3.062	2.625	5.04	0.04	0.04	6	680	2040	10.60
IDC GEZ 312ES	3.75	5.875	3.281	2.812	5.393	0.04	0.04	6	780	2360	12.76
IDC GEZ 400ES	4	6.25	3.5	3	5.748	0.04	0.04	6	900	2650	15.40
IDC GEZ 404ES	4.25	6.625	3.719	3.187	6.102	0.04	0.04	6	1000	3000	18.50
IDC GEZ 408ES	4.5	7	3.937	3.375	6.476	0.04	0.04	6	1120	3400	21.60
IDC GEZ 412ES	4.75	7.375	4.156	3.562	6.83	0.04	0.04	6	1250	3750	25.30
IDC GEZ 500ES	5	7.75	4.375	3.75	7.204	0.04	0.04	6	1400	4150	29.70
IDC GEZ 600ES	6	8.75	4.75	4.125	8.15	0.04	0.04	5	1730	5200	38.50

IDC SELECT® BEARINGS

SPHERICAL PLAIN BEARINGS

COM SERIES



Specifications

- Sliding Surface: Steel on Steel – Chrome Plated Ball
- Relubricatable through annular grooves & oil holes in inner ring

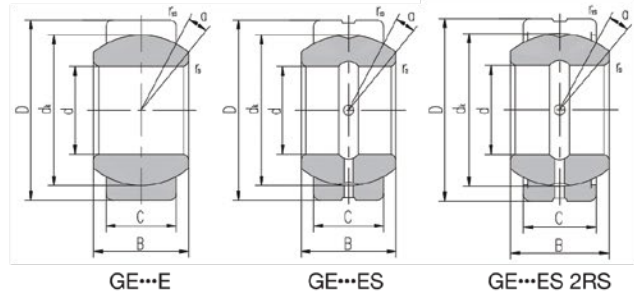
SPHERICAL PLAIN BEARINGS

Part No.	Dimensions						mm/inch			Load Ratings kN		Weight LBS
	d	D	B	C	dk	rs min	rs min	α ≈	Dynamic	Static		
IDC COM 3	0.19	0.5625	0.281	0.218	0.406	0.012	0.015	11	3	15	.013	
IDC COM 4	0.25	0.6562	0.343	0.25	0.5	0.012	0.022	13.5	4.4	22	.022	
IDC COM 5	0.3125	0.75	0.375	0.281	0.562	0.012	0.032	12	6	28	.031	
IDC COM 6	0.375	0.8125	0.406	0.312	0.656	0.012	0.032	10	7.4	37	.037	
IDC COM 7	0.4375	0.9062	0.437	0.343	0.687	0.012	0.032	8	8.4	42	.046	
IDC COM 8	0.5	1	0.5	0.39	0.813	0.012	0.032	9.5	12	58	.064	
IDC COM 9	0.5625	1.0937	0.562	0.437	0.906	0.012	0.032	9.5	15	73	.086	
IDC COM 10	0.625	1.1875	0.625	0.5	1	0.012	0.032	9.5	19	94	.110	
IDC COM 12	0.75	1.4375	0.75	0.593	1.187	0.012	0.044	9	28	141	.200	
IDC COM 14	0.875	1.5625	.875	.703	1.312	0.024	0.044	9.5	37	186	.261	
IDC COM 16	1	1.75	1	0.797	1.5	0.024	0.044	10	49	245	.385	

IDC SELECT® BEARINGS

SPHERICAL PLAIN BEARINGS

GE SERIES



GE...E

GE...ES

GE...ES 2RS

Specifications

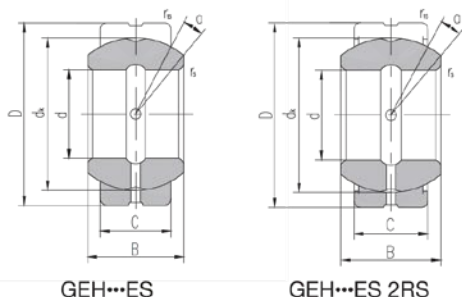
- Sliding Surface: Steel on Steel - MoS₂ treated
- Single Fracture Design
- Relubricatable through annular grooves & oil holes in inner & outer rings (ES – Suffix)

Part No.	Dimensions							mm	Load Ratings kN		Weight LBS
	d	D	B	C	d _k	r _s min	r _e min		α ≈	Dynamic	
IDC GE 4E	4	12	5	3	8	0.3	0.3	16	2	10	.007
IDC GE 5E	5	14	6	4	10	0.3	0.3	13	3.4	17	.008
IDC GE 6E	6	14	6	4	10	0.3	0.3	13	3.4	17	.009
IDC GE 8E	8	16	8	5	13	0.3	0.3	15	5.5	27	.018
IDC GE 10E	10	19	9	6	16	0.3	0.3	12	8.1	40	.024
IDC GE 12E	12	22	10	7	18	0.3	0.3	10	10	53	.033
IDC GE 15ES	15	26	12	9	22	0.3	0.3	8	16	84	.059
IDC GE 17ES	17	30	14	10	25	0.3	0.3	10	21	106	.090
IDC GE 20ES	20	35	16	12	29	0.3	0.3	9	30	146	.262
IDC GE 25ES	25	42	20	16	35.5	0.6	0.6	7	48	240	.262
IDC GE 30ES	30	47	22	18	40.7	0.6	0.6	6	62	310	.337
IDC GE 35ES	35	55	25	20	47	0.6	1	6	79	399	.513
IDC GE 40ES	40	62	28	22	53	0.6	1	7	99	495	.673
IDC GE 45ES	45	68	32	25	60	0.6	1	7	127	637	.939
IDC GE 50ES	50	75	35	28	66	0.6	1	6	156	780	1.20
IDC GE 55ES	55	85	40	32	74	0.6	1	7	200	1000	2.07
IDC GE 60ES	60	90	44	36	80	1	1	6	245	1220	2.29
IDC GE 70ES	70	105	49	40	92	1	1	6	313	1560	3.41
IDC GE 80ES	80	120	55	45	105	1	1	6	400	2000	5.08
IDC GE 90ES	90	130	60	50	115	1	1	5	488	2440	6.05
IDC GE 100ES	100	150	70	55	130	1	1	7	607	3030	9.79
IDC GE 110ES	110	160	70	55	140	1	1	6	654	3270	10.60
IDC GE 120ES	120	180	85	70	160	1	1	6	950	4750	17.71
IDC GE 140ES	140	210	90	70	180	1	1	7	1070	5350	24.24
IDC GE 160ES	160	230	105	80	200	1	1	8	1360	6800	30.82
IDC GE 180ES	180	260	105	80	225	1.1	1.1	6	1530	7650	41.00
IDC GE 200ES	200	290	130	100	250	1.1	1.1	7	2120	10600	62.00
IDC GE 220ES	220	320	135	100	275	1.1	1.1	8	2320	11600	78.00
IDC GE 240ES	240	340	140	100	300	1.1	1.1	8	2550	12700	88.00
IDC GE 260ES	260	370	150	110	325	1.1	1.1	7	3030	15190	113.00
IDC GE 280ES	280	400	155	120	350	1.1	1.1	6	3570	17850	143.00
IDC GE 300ES	300	430	165	120	375	1.1	1.1	7	3800	19100	172.00

IDC SELECT® BEARINGS

SPHERICAL PLAIN BEARINGS

GEH SERIES



Specifications

- Wider Inner Ring & larger OD – Capable of greater misalignment
- Sliding Surface: Steel on Steel - MoS₂ treated
- Single Fracture Design
- Relubricatable through annular grooves & oil holes in inner & outer rings (ES – Suffix)

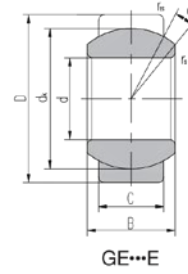
Part No.	Dimensions							mm	Load Ratings kN		Weight LBS
	d	D	B	C	d _k	r _s min	r _{is} min	α ≈	Dynamic	Static	
IDC GEH 4E	4	14	7	4	10	0.3	0.3	20	3.4	17	.011
IDC GEH 5E	5	16	9	5	13	0.3	0.3	21	5.5	27	.018
IDC GEH 6E	6	16	9	5	13	0.3	0.3	21	5.5	27	.025
IDC GEH 8E	8	19	11	6	16	0.3	0.3	21	8.1	40	.030
IDC GEH 10E	10	22	12	7	18	0.3	0.3	18	10	53	.046
IDC GEH 12E	12	26	15	9	22	0.3	0.3	18	16	84	.073
IDC GEH 15ES	15	30	16	10	25	0.3	0.3	16	21	106	.108
IDC GEH 17ES	17	35	20	12	29	0.3	0.3	19	30	146	.183
IDC GEH 20ES	20	42	25	16	35.5	0.3	0.6	17	48	240	.337
IDC GEH 25ES	25	47	28	18	40.7	0.6	0.6	17	62	310	.450
IDC GEH 30ES	30	55	32	20	47	0.6	1	17	79	399	.670
IDC GEH 35ES	35	62	35	22	53	0.6	1	16	99	495	.900
IDC GEH 40ES	40	68	40	25	60	0.6	1	17	127	637	1.19
IDC GEH 45ES	45	75	43	28	66	0.6	1	15	156	780	1.57
IDC GEH 50ES	50	90	56	36	80	0.6	1	17	245	1220	2.51
IDC GEH 60ES	60	105	63	40	92	1	1	17	313	1560	4.50
IDC GEH 70ES	70	120	70	45	105	1	1	16	400	2000	6.60
IDC GEH 80ES	80	130	75	50	115	1	1	14	488	2440	8.00
IDC GEH 90ES	90	150	85	55	130	1	1	15	607	3030	11.50
IDC GEH 100ES	100	160	85	55	140	1	1	14	654	3270	13.30
IDC GEH 110ES	110	180	100	70	160	1	1	12	950	4750	21.30
IDC GEH 120ES	120	210	115	70	180	1	1	16	1070	5350	30.80
IDC GEH 140ES	140	230	130	80	200	1	1	16	1360	6800	42.00
IDC GEH 160ES	160	260	135	80	225	1.1	1.1	16	1530	7650	54.00
IDC GEH 180ES	180	290	155	100	250	1.1	1.1	14	2120	10600	71.00
IDC GEH 200ES	200	320	165	100	275	1.1	1.1	15	2320	11600	99.00
IDC GEH 220ES	220	340	175	100	300	1.1	1.1	16	2550	12700	112.50
IDC GEH 240ES	240	370	190	110	325	1.1	1.1	15	3030	15190	143.00
IDC GEH 260ES	260	400	205	120	350	1.1	1.1	15	3570	17850	182.00
IDC GEH 280ES	280	430	210	120	375	1.1	1.1	15	3800	19100	214.00

SPHERICAL PLAIN BEARINGS

IDC SELECT® BEARINGS

SPHERICAL PLAIN BEARINGS

GE...C & GEH...C SERIES



Specifications

- Sliding Surface: PTFE Lined Steel Outer on Chrome Plated Ball
- Maintenance Free - Low Friction

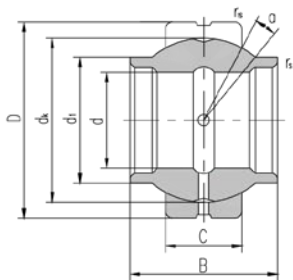
Part No.	Dimensions								mm	Load Ratings kN		Weight LBS
	d	D	B	C	d _k	r _{s min}	r _{s min}	α _≈		Dynamic	Static	
IDC GE 4C	4	12	5	3	8	0.3	0.3	16	2.1	5.4	.007	
IDC GE 5C	5	14	6	4	10	0.3	0.3	13	3.6	9.1	.008	
IDC GE 6C	6	14	6	4	10	0.3	0.3	13	3.6	9.1	.009	
IDC GE 8C	8	16	8	5	13	0.3	0.3	15	5.8	14	.018	
IDC GE 10C	10	19	9	6	16	0.3	0.3	12	8.6	21	.024	
IDC GE 12C	12	22	10	7	18	0.3	0.3	10	11	28	.033	
IDC GE 15C	15	26	12	9	22	0.3	0.3	8	18	45	.059	
IDC GE 17C	17	30	14	10	25	0.3	0.3	10	22	56	.090	
IDC GE 20C	20	35	16	12	29	0.3	0.3	9	31	78	.145	
IDC GE 25C	25	42	20	16	35.5	0.6	0.6	7	51	127	.262	
IDC GE 30C	30	47	22	18	40.7	0.6	0.6	6	65	166	.359	

Part No.	Dimensions								mm	Load Ratings kN		Weight LBS
	d	D	B	C	d _k	r _{s min}	r _{s min}	α _≈		Dynamic	Static	
IDC GEH 4C	4	14	7	4	10	0.3	0.3	20	3.6	9.1	.011	
IDC GEH 5C	5	16	9	5	10	0.3	0.3	21	5.8	14	.018	
IDC GEH 6C	6	16	9	5	13	0.3	0.3	21	5.8	14	.013	
IDC GEH 8C	8	19	11	6	16	0.3	0.3	21	8.6	21	.030	
IDC GEH 10C	10	22	12	7	18	0.3	0.3	18	11	28	.046	
IDC GEH 12C	12	26	15	9	22	0.3	0.3	18	18	45	.073	
IDC GEH 15C	15	30	16	10	25	0.3	0.3	16	22	56	.110	
IDC GEH 17C	17	35	20	12	29	0.3	0.3	19	31	78	.183	
IDC GEH 20C	20	42	25	16	35.5	0.3	0.3	17	51	127	.340	
IDC GEH 25C	25	47	28	18	40.7	0.6	0.6	17	65	166	.450	
IDC GEH 30C	30	55	32	20	47	0.6	0.6	17	83	212	.670	

IDC SELECT® BEARINGS

SPHERICAL PLAIN BEARINGS

GEG SERIES



Specifications

- Extended Inner Ring eliminating need for locational spacers
- Sliding Surface: Steel on Steel - MoS₂ treated
- Single Fracture Design
- Relubricatable through annular grooves & oil holes in inner & outer rings (ES – Suffix)

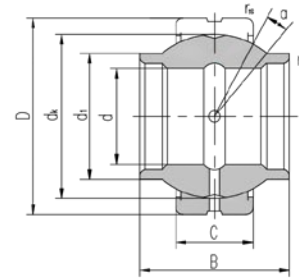
Part No.	Dimensions								mm	Load Ratings kN		Weight LBS
	d	D	B	C	d _{max}	d _k	r _s min	r _s		Dynamic	Static	
IDC GEG 12ES	12	22	12	7	15.5	18	0.3	0.3	4	10	53	.05
IDC GEG 15ES	15	26	15	9	18.5	22	0.3	0.3	5	16	84	.07
IDC GEG 16ES	16	28	16	9	20	23	0.3	0.3	4	17	85	.08
IDC GEG 17ES	17	30	17	10	21	25	0.3	0.3	7	21	106	.10
IDC GEG 20ES	20	35	20	12	25	29	0.3	0.3	4	30	146	.16
IDC GEG 25ES	25	42	25	16	30.5	35.5	0.6	0.6	4	48	240	.29
IDC GEG 30ES	30	47	30	18	34	40.7	0.6	0.6	4	62	310	.37
IDC GEG 32ES	32	52	32	18	37	43	0.6	1	4	65	328	.40
IDC GEG 35ES	35	55	35	20	40	47	0.6	1	4	79	399	.56
IDC GEG 40ES	40	62	40	22	46	53	0.6	1	4	99	495	.75
IDC GEG 45ES	45	68	45	25	52	60	0.6	1	4	127	637	1.06
IDC GEG 50ES	50	75	50	28	57	66	0.6	1	4	156	780	1.25
IDC GEG 60ES	60	90	60	36	68	80	1	1	4	245	1220	2.50
IDC GEG 63ES	63	95	63	36	71.5	83	1	1	4	253	1260	2.75
IDC GEG 70ES	70	105	70	40	78	92	1	1	4	313	1560	3.75
IDC GEG 80ES	80	120	80	45	91	105	1	1	4	400	2000	5.26
IDC GEG 90ES	90	130	90	50	99	115	1	1	4	488	2440	7.00
IDC GEG 100ES	100	150	100	55	113	130	1	1	4	607	3030	10.50
IDC GEG 110ES	110	160	110	55	124	140	1	1	4	654	3270	12.70
IDC GEG 125ES	125	180	125	70	138	160	1	1	4	950	4750	18.70
IDC GEG 160ES	160	230	160	80	177	200	1	1	4	1360	6800	36.30
IDC GEG 200ES	200	290	200	100	221	250	1.1	1.1	4	2120	10600	70.60
IDC GEG 250ES	250	400	250	120	317	350	1.1	1.1	4	3750	17800	218.00
IDC GEG 320ES	320	520	320	160	405	450	1.1	1.1	4	6200	30500	495.00

IDC SELECT® BEARINGS

SPHERICAL PLAIN BEARINGS

GEM SERIES

SPHERICAL PLAIN BEARINGS



Specifications

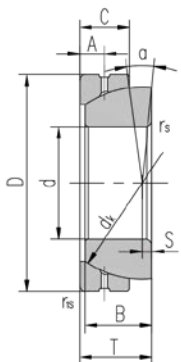
- Extended Inner Ring eliminating need for locational spacers
- Sliding Surface: Steel on Steel - MoS₂ treated
- Single Fracture Design
- Relubricatable through annular grooves & oil holes in inner & outer rings (ES – Suffix)

Part No.	Dimensions									mm	Load Ratings kN		Weight LBS
	d	D	B	C	d ₁ max	d _k	r _s min	r _B min	α ≈		Dynamic	Static	
IDC GEM 20ES-2RS	20	35	24	12	24	29	0.3	0.3	6	30	146	.160	
IDC GEM 25ES-2RS	25	42	29	16	29	35.5	0.3	0.6	4	48	240	.290	
IDC GEM 30ES-2RS	30	47	30	18	34	40.7	0.3	0.6	4	62	310	.375	
IDC GEM 35ES-2RS	35	55	35	20	40	47	0.6	1	4	79	399	.550	
IDC GEM 40ES-2RS	40	62	38	22	45	53	0.6	1	4	99	495	.770	
IDC GEM 45ES-2RS	45	68	40	25	52	60	0.6	1	4	127	637	1.08	
IDC GEM 50ES-2RS	50	75	43	28	57	66	0.6	1	4	156	780	1.32	
IDC GEM 60ES-2RS	60	90	54	36	68	80	0.6	1	3	245	1220	2.53	
IDC GEM 70ES-2RS	70	105	65	40	78	92	0.6	1	4	313	1560	3.65	
IDC GEM 80ES-2RS	80	120	74	45	90	105	0.6	1	4	400	2000	5.50	

IDC SELECT® BEARINGS

SPHERICAL PLAIN BEARINGS

GAZ SERIES



Specifications

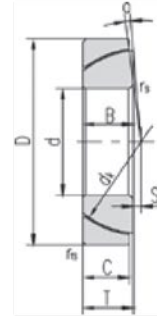
- Sliding Surface: Steel on Steel - MoS₂ treated
- Suitable for Radial loads and single direction Axial (Thrust) load
- Relubricatable through annular grooves & oil hole in outer ring

Part No.	Dimensions								mm/inch		Load Ratings kN		Weight LBS
	d	D	B	C	T	d _k	S	A	r _s , r _{is} min	α ≈	Dynamic	Static	
IDC GAZ 008SA	0.5	0.875	0.27	0.19	0.3	0.719	0.051	0.094	0.02	7	6	18	.029
IDC GAZ 010SA	0.625	1.0625	0.34	0.25	0.37	0.899	0.058	0.109	0.03	6	10	31	.055
IDC GAZ 012SA	0.75	1.25	0.41	0.31	0.44	1.08	0.07	0.125	0.04	6	16	47	.084
IDC GAZ 014SA	0.875	1.4375	0.48	0.38	0.52	1.258	0.08	0.172	0.08	5.5	23	66	.110
IDC GAZ 100SA	1	1.625	0.55	0.44	0.6	1.437	0.1	0.203	0.08	6	29	87	.187
IDC GAZ 104SA	1.25	2	0.7	0.55	0.74	1.795	0.132	0.234	0.08	6	47	142	.300
IDC GAZ 106SA	1.375	2.1875	0.77	0.6	0.84	1.937	0.145	0.281	0.1	4	53	159	.467
IDC GAZ 108SA	1.5	2.4375	0.84	0.66	0.91	2.155	0.155	0.312	0.1	5.5	66	197	.660
IDC GAZ 112SA	1.75	2.8125	0.98	0.79	1.07	2.515	0.186	0.328	0.1	6	91	273	1.00
IDC GAZ 200SA	2	3.1875	1.13	0.92	1.23	2.875	0.217	0.375	0.14	5.5	122	365	1.47
IDC GAZ 204SA	2.25	3.5625	1.27	1.05	1.39	3.235	0.243	0.453	0.14	5.5	155	466	2.08
IDC GAZ 208SA	2.5	3.9375	1.42	1.18	1.54	3.59	0.267	0.5	0.14	5	196	589	2.49
IDC GAZ 212SA	2.75	4.375	1.56	1.275	1.7	3.95	0.294	0.515	0.18	5	231	694	3.85
IDC GAZ 300SA	3	4.75	1.71	1.405	1.86	4.312	0.322	0.578	0.18	5	279	838	5.02
IDC GAZ 304SA	3.25	5.125	1.86	1.545	2.03	4.675	0.356	0.656	0.18	5	332	995	6.40
IDC GAZ 308SA	3.5	5.5	2	1.675	2.18	5.04	0.374	0.703	0.18	4.5	389	1167	7.00
IDC GAZ 312SA	3.75	5.875	2.15	1.805	2.34	5.39	0.398	0.765	.018	4.5	449	1348	8.70
IDC GAZ 400SA	4	6.25	2.3	1.935	2.5	5.75	0.409	0.781	0.18	4.5	515	1545	10.50
IDC GAZ 408SA	4.5	7	2.59	2.195	2.8	6.475	0.488	0.875	0.18	4.5	663	1990	15.00
IDC GAZ 500SA	5	7.75	2.88	2.455	3.13	7.19	0.547	1.00	0.18	4.5	818	2455	22.10
IDC GAZ 600SA	6	8.75	3.1	2.615	3.375	8.156	0.634	1.37	0.18	4.5	985	2955	35.00

IDC SELECT® BEARINGS

SPHERICAL PLAIN BEARINGS

GAC...F SERIES



Specifications

- Sliding Surface: PTFE Lined Steel Outer on Chrome Plated Ball
- Maintenance Free - Low Friction
- Suitable for Radial Loads and single direction Axial (Thrust) Loads

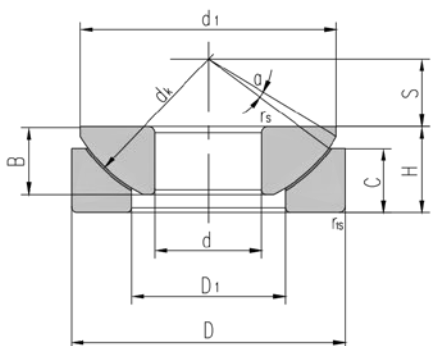
SPHERICAL PLAIN BEARINGS

Part No.	Dimensions								mm		Load Ratings kN		Weight LBS
	d	D	B	C	T	d _k	S	r _s , r _{1s} min	α	≈	Dynamic	Static	
IDC GAC 25F	25	47	15	14	15	42	0.6	1	2.5		89	178	.325
IDC GAC 28F	28	52	15	15	16	47	1	1	2		100	200	.410
IDC GAC 30F	30	55	17	15	17	49.5	1.3	1	4.5		110	220	.460
IDC GAC 32F	32	58	17	16	17	52	2	1	2		125	250	.530
IDC GAC 35F	35	62	18	16	18	55.5	2.1	1	4		135	270	.590
IDC GAC 40F	40	68	19	17	19	62	2.8	1	3.5		160	320	.720
IDC GAC 45F	45	75	20	18	20	68.5	3.5	1	3		190	380	.920
IDC GAC 50F	50	80	20	19	20	74	4.3	1	1.5		215	430	1.00
IDC GAC 55F	55	90	23	20	23	82	5	1.1	4		250	500	1.42
IDC GAC 60F	60	95	23	21	23	88.5	5.7	1.1	2.5		285	570	1.57
IDC GAC 65F	65	100	23	22	23	93.5	6.5	1.1	1		315	630	1.67
IDC GAC 70F	70	110	25	23	25	102	7.2	1.1	2		360	720	2.30
IDC GAC 75F	75	115	25	24	25	107	7.9	1.1	1		395	790	2.47
IDC GAC 80F	80	125	29	25.5	29	115	8.6	1.1	3.5		450	900	3.40
IDC GAC 85F	85	130	29	26.5	29	122	9.4	1.1	2		495	990	3.54
IDC GAC 90F	90	140	32	28	32	128.5	10.1	1.5	3.5		550	1100	4.60
IDC GAC 95F	95	145	32	29.5	32	135	10.8	1.5	2		610	1220	4.88
IDC GAC 100F	100	150	32	31	32	141	11.6	1.5	0.5		670	1340	5.15
IDC GAC 105F	105	160	35	32.5	35	148	12.3	2	2		740	1480	6.45
IDC GAC 110F	110	170	38	34	38	155	13	2	3		810	1620	8.10
IDC GAC 120F	120	180	38	37	38	168	14.5	2	0.5		955	1910	8.73
IDC GAC 130F	130	200	45	43	45	188	18	2.5	1		1240	2480	13.02
IDC GAC 140F	140	210	45	43	45	198	19	2.5	1		1310	2620	13.92
IDC GAC 150F	150	225	48	46	48	211	20	3	1		1490	2980	17.60
IDC GAC 160F	160	240	51	49	51	225	20	3	1		1690	3380	20.72
IDC GAC 170F	170	260	57	55	57	246	21	3	1		2080	4160	27.00
IDC GAC 180F	180	280	64	61	64	260	21	3	1		2440	4880	38.30
IDC GAC 190F	190	290	64	62	64	275	26	3	0.5		2620	4240	40.00
IDC GAC 200F	200	310	70	66	70	290	26	3	1.5		2940	5880	49.50

IDC SELECT® BEARINGS

SPHERICAL PLAIN BEARINGS

GX...T SERIES



Specifications

- Sliding Surface: PTFE Lined Steel Outer on Chrome Plated Ball
- Maintenance Free - Low Friction
- Suitable for single direction Axial (Thrust) Loads or combined Axial & Radial loads

SPHERICAL PLAIN BEARINGS

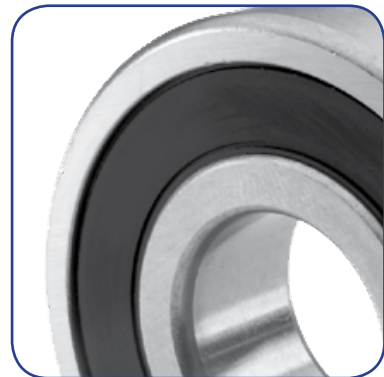
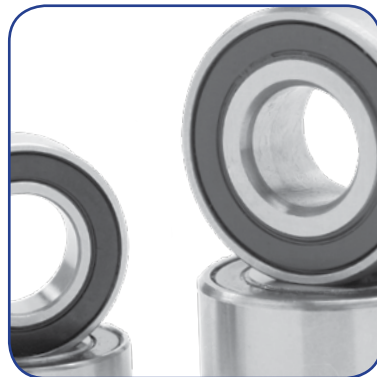
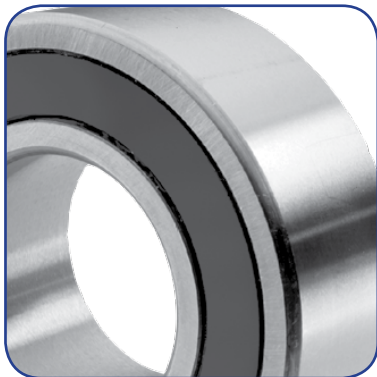
Part No.	Dimensions										mm	Load Ratings kN		Weight LBS
	d	D	B	C	H	dk	S	d _{1 max}	D _{1 min}	r _{fs} /r _{fs min}	α ≈	Dynamic	Static	
IDC GX 10F	10	30	7.5	7	9.5	32	7	27.5	15.5	0.6	5	45	90	.079
IDC GX 12F	12	35	9.5	9.3	13	38	8	32	18	0.6	5	65	130	.158
IDC GX 15F	15	42	11	10.8	15	46	10	39	22.5	0.6	6	95	190	.237
IDC GX 17F	17	47	11.8	11.2	16	52	11	43.5	27	0.6	4	110	220	.30
IDC GX 20F	20	55	14.5	13.8	20	60	12.5	50	31	1	5	150	300	.541
IDC GX 25F	25	62	16.5	16.7	22.5	68	14	58.5	34.5	1	5	245	490	.913
IDC GX 30F	30	75	19	19	26	82	17.5	70	42	1	5	335	670	1.35
IDC GX 35F	35	90	22	20.7	28	98	22	84	50.5	1	5	490	980	2.15
IDC GX 40F	40	105	27	21.5	32	114	24.5	97	59	1	6	675	1350	3.50
IDC GX 45F	45	120	31	25.5	36.5	128	27.5	110	67	1	6	915	1830	4.93
IDC GX 50F	50	130	33	30.5	42.5	139	30	120	70	1	6	1040	2080	6.91
IDC GX 60F	60	150	37	34	45	160	35	140	84	1	6	1400	2800	10.19
IDC GX 70F	70	160	42	36.5	50	176	35	153	94.5	1	3	1590	3180	11.81
IDC GX 80F	80	180	43.5	38	50	197	42.5	172	107.5	1	4	1980	3920	15.20
IDC GX 100F	100	210	51	46	59	222	45	198	127	1.1	4	2270	4540	24.00
IDC GX 120F	120	230	53.5	50	64	250	52.5	220	145	1.1	3	2560	5720	30.58
IDC GX 140F	140	260	61	54	72	274	52.5	243	177	1.5	3	3050	6100	39.82
IDC GX 160F	160	290	66	58	77	313	65	271	200	1.5	2	3520	6250	51.04
IDC GX 180F	180	320	74	62	86	340	67.5	299	225	1.5	4	4070	7220	68.00
IDC GX 200F	200	340	80	66	87	365	70	320	247	1.5	1	4780	9150	75.24

DEEP GROOVE BALL BEARINGS

IDC Select® radial ball bearings are produced to strict specification tolerances that are designed to meet or exceed USA industry standards. All product series are produced in ISO certified factories with automated production assembly lines that are ISO/TS16949 certified. All IDC Select® products are 100% noise tested to meet factory electric motor quality noise levels. Standard radial series 6000-6200-6300 are produced as standard C3 clearance and all products are supplied with 25-35% fill Polyrex EM grease or equal.

All products are certified to ANSI/ABMA ABEC 1 tolerance with most meeting ABEC 3 tolerances based on the automated production processes. Forging and heat treatment are done in house and all bearings are heat stabilized to 250° F. Grade 10 balls are used on the small sizes up to 50mm bore and grade 25 balls are used on all sizes over 50mm bore. Standard series products are produced with SAE 52100 steel. Sizes offered in stainless steel are produced with 440C steel. Seals are produced from NBR rubber with a steel backing.

DEEP GROOVE BALL BEARINGS



BEARING FEATURES

Deep groove ball bearings incorporate grooved raceways on both the inner ring and outer ring, which enable them to sustain moderate axial loads in both directions in addition to radial loads. Balls are separated by steel cages, permitting high-speed operation. Double row angular contact bearings are designed to accommodate combined simultaneous acting axial and radial loads. Balls are normally separated by high-speed Polyamide cages.

Most bearings are prelubricated with Mobil Polyrex EM grease or Chevron SRI-2, which provide excellent lubrication up to 350°F. Sealed and shielded bearings are lubricated for life.

BEARING STEEL

Standard bearings utilize high quality 52100 through hardened steel. Stainless steel units utilize high quality AISI 440C stainless steel for corrosion resistance and hardness and strength.

BEARING CONFIGURATIONS

IDC Select® radial ball bearings are manufactured as either sealed (2RS), shielded (ZZ) or open.

Many bearings can also be supplied with snap rings (NR).

Sealed (2RS) bearings feature contact lip seals that provide excellent protection from liquids and contamination. However, seal rubbing can result in friction (drag) and produce heat, which could be a concern in high-speed applications.

Shielded (ZZ) bearings have non-contact steel shields that do not protect against liquids but add no friction or heat build-up during operation.

Open bearings are supplied with a coating of light oil and are used in oil bath and oil mist environments.

Snap ring (NR) bearings are supplied with snap ring grooves and snap rings installed on the OD.

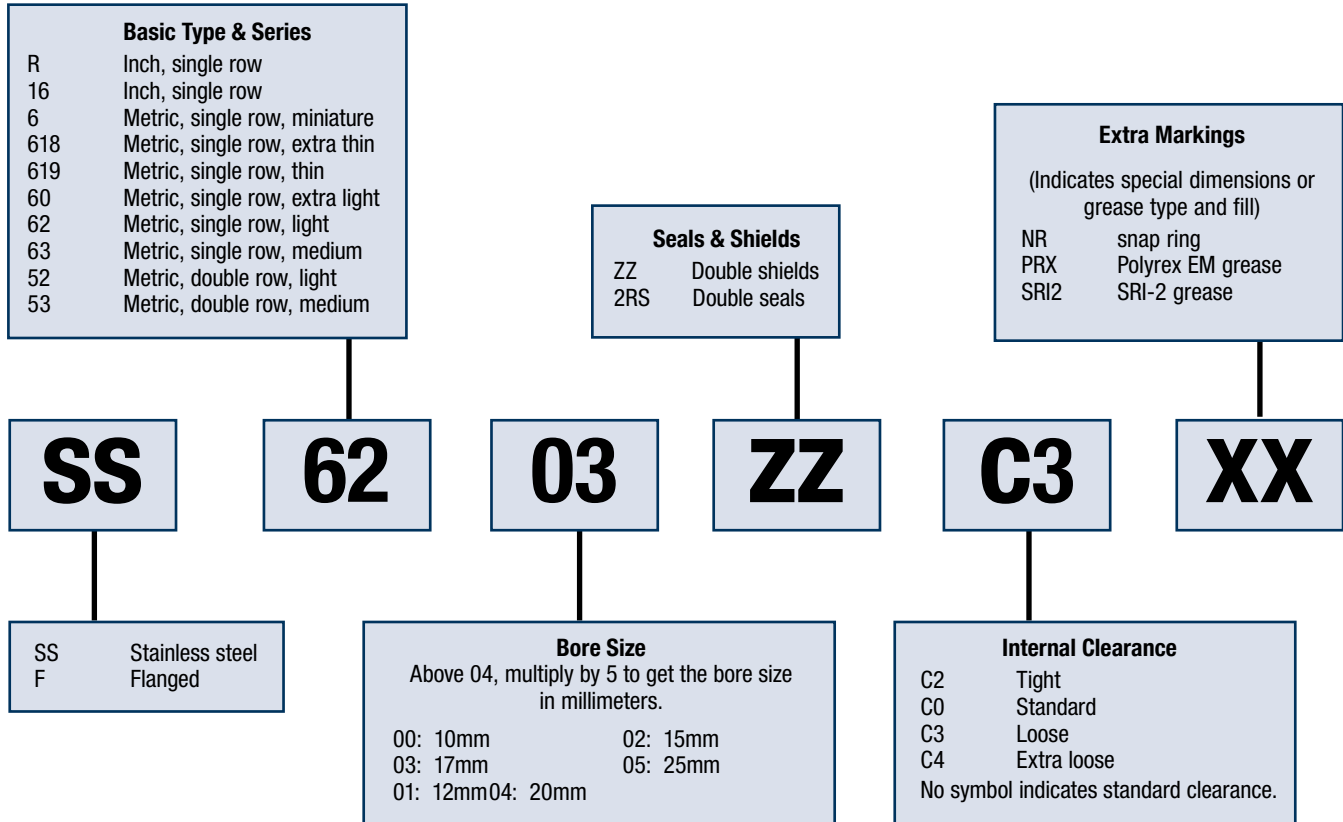
(NOTE: Not all bearings are available as NR.)

IDC SELECT® BEARINGS

DEEP GROOVE BALL BEARINGS

PART NUMBER NOMENCLATURE

Each IDC Select® Deep Groove Ball Bearing part number is a unique combination indicating the bearing's type, series, internal clearance, bore size, seal and shields.

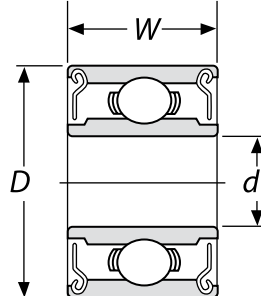


DEEP GROOVE BALL BEARINGS

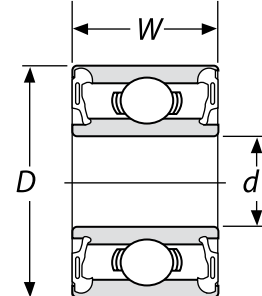
IDC SELECT® BEARINGS

DEEP GROOVE BALL BEARINGS

6000 SERIES EXTRA LIGHT DUTY - METRIC



ZZ



2RS

Bore mm d	OD mm D	Width mm W	Part No.	Basic Load Rating Pounds		Speed Rating		Weight (lb)
				Dynamic	Static	Grease RPM	Oil RPM	
10	26	8	IDC 6000	1030	440	29000	34000	0.042
12	28	8	IDC 6001	1150	540	26000	30000	0.050
15	32	9	IDC 6002	1260	640	15000	28000	0.070
17	35	10	IDC 6003	1350	730	13000	26000	0.090
20	42	12	IDC 6004	2110	1140	18000	21000	0.150
25	47	12	IDC 6005	2260	1320	15000	18000	0.180
30	55	13	IDC 6006	2970	1860	13000	15000	0.260
35	62	14	IDC 6007	3600	2310	12000	14000	0.340
40	68	15	IDC 6008	3750	2590	10000	12000	0.420
45	75	16	IDC 6009	4720	3400	9000	11000	0.520
50	80	16	IDC 6010	4900	3700	8400	9800	0.570
55	90	18	IDC 6011	6350	4850	7700	9000	0.850
60	95	18	IDC 6012	6600	5200	7000	8300	0.915
65	100	18	IDC 6013	6850	5850	6500	7700	0.930
70	110	20	IDC 6014	8550	6950	6100	7100	1.330
75	115	20	IDC 6015	8890	7550	5700	6700	1.430
80	125	22	IDC 6016	10700	8950	5300	6200	1.880
85	130	22	IDC 6017	11100	9700	5000	5900	1.960
90	140	24	IDC 6018	13100	11200	4750	5600	2.560
95	145	24	IDC 6019	13600	12100	4300	5300	2.670
100	150	24	IDC 6020	14200	12200	4000	5000	2.760
105	160	26	IDC 6021	16300	14800	3700	4700	3.510
110	170	28	IDC 6022	18400	16400	3350	4300	4.320

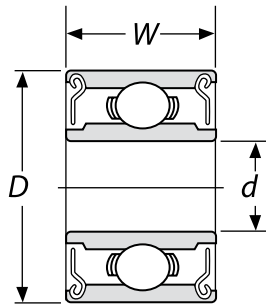
Also available with snap ring (NR suffix)

DEEP GROOVE BALL BEARINGS

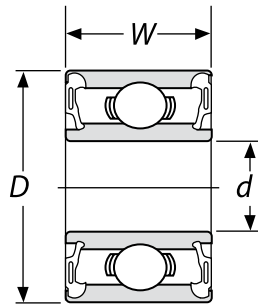
IDC SELECT® BEARINGS

DEEP GROOVE BALL BEARINGS

6200 SERIES LIGHT DUTY - METRIC



ZZ



2RS



DEEP GROOVE BALL BEARINGS

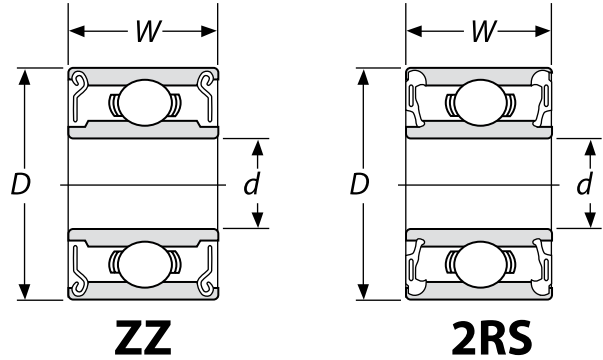
Bore mm d	OD mm D	Width mm W	Part No.	Basic Load Rating Pounds		Speed Rating		Weight (lb)
				Dynamic	Static	Grease RPM	Oil RPM	
10	30	9	IDC 6200	1150	540	24000	30000	0.07
12	32	10	IDC 6201	1530	690	22000	26000	0.08
15	35	11	IDC 6202	1740	805	19000	23000	0.10
17	40	12	IDC 6203	2150	1080	12000	20000	0.15
20	47	14	IDC 6204	2880	1490	11000	18000	0.24
25	52	15	IDC 6205	3150	1770	10500	15000	0.28
30	62	16	IDC 6206	4390	2540	10000	13000	0.44
35	72	17	IDC 6207	5800	3400	9800	11000	0.63
40	80	18	IDC 6208	6500	4000	8700	10000	0.80
45	85	19	IDC 6209	7300	4600	7800	9200	0.88
50	90	20	IDC 6210	7870	5200	7100	8300	1.02
55	100	21	IDC 6211	9750	6500	6400	7600	1.34
60	110	22	IDC 6212	11800	8150	6000	7000	1.70
65	120	23	IDC 6213	12900	9000	5400	6500	2.22
70	125	24	IDC 6214	14000	9900	5100	6000	2.41
75	130	25	IDC 6215	14900	11100	4800	5600	2.59
80	140	26	IDC 6216	16300	11900	4500	5300	3.13
85	150	28	IDC 6217	18700	14300	4200	5000	3.94
90	160	30	IDC 6218	21600	16100	3950	4750	4.74
95	170	32	IDC 6219	24500	18400	3600	4450	5.78
100	180	34	IDC 6220	27500	20900	3350	4200	6.90
105	190	36	IDC 6221	29900	23500	3050	3950	8.14
110	200	38	IDC 6222	32500	26300	2875	3700	9.61

Also available with snap ring (NR suffix)

IDC SELECT® BEARINGS

DEEP GROOVE BALL BEARINGS

6300 SERIES MEDIUM DUTY - METRIC



Bore mm d	OD mm D	Width mm W	Part No.	Basic Load Rating Pounds		Speed Rating		Weight (lb)
				Dynamic	Static	Grease RPM	Oil RPM	
10	35	11	IDC 6300	1820	780	17000	26000	0.11
12	37	12	IDC 6301	2180	950	16000	24000	0.13
15	42	13	IDC 6302	2570	1230	13000	20000	0.18
17	47	14	IDC 6303	3060	1470	11000	18000	0.25
20	52	15	IDC 6304	3580	1780	10000	17000	0.32
25	62	17	IDC 6305	4640	2520	9500	13000	0.52
30	72	19	IDC 6306	6000	3370	9000	12000	0.80
35	80	21	IDC 6307	7500	4300	8500	10000	1.00
40	90	23	IDC 6308	9100	5400	7800	9200	1.40
45	100	25	IDC 6309	11900	7200	6700	8000	1.80
50	110	27	IDC 6310	13900	8600	6400	7500	2.40
55	120	29	IDC 6311	16100	10100	5800	6800	3.02
60	130	31	IDC 6312	18400	11700	5400	6300	3.81
65	140	33	IDC 6313	20800	13400	4900	5800	4.70
70	150	35	IDC 6314	23400	15300	4600	5400	5.72
75	160	37	IDC 6315	25500	17400	4300	5000	6.84
80	170	39	IDC 6316	27600	19500	4000	4700	8.13
85	180	41	IDC 6317	29800	21800	3800	4500	9.53
90	190	43	IDC 6318	32000	24100	3600	4300	10.80
95	200	45	IDC 6319	34500	26600	3400	4100	12.50
100	215	47	IDC 6320	39000	31500	3200	3950	15.40
105	225	49	IDC 6321	41500	34500	3000	3750	17.70
110	240	50	IDC 6322	43500	40500	2850	3500	21.00

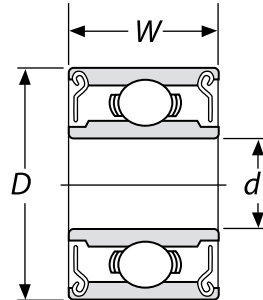
Also available with snap ring (NR suffix)

DEEP GROOVE BALL BEARINGS

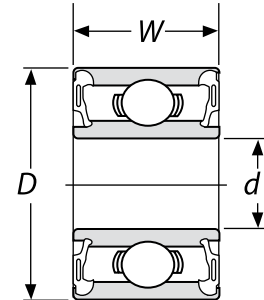
IDC SELECT® BEARINGS

DEEP GROOVE BALL BEARINGS

6800 SERIES MEDIUM DUTY - METRIC



ZZ



2RS

DEEP GROOVE BALL BEARINGS

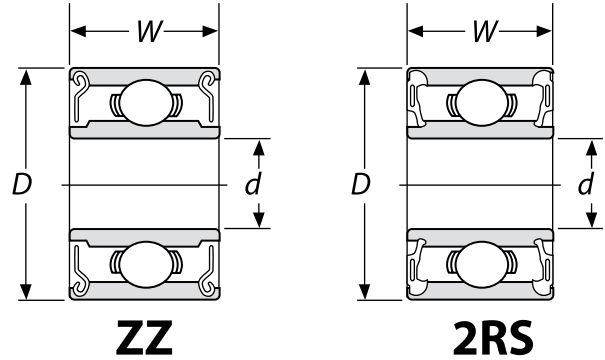
Bore mm d	OD mm D	Width mm W	Part No.	Basic Load Rating Pounds		Speed Rating		Weight (lb)
				Dynamic	Static	Grease RPM	Oil RPM	
10	19	5	IDC 6800	410	208	22000	24000	0.01
12	21	5	IDC 6801	430	220	20000	22000	0.01
15	24	5	IDC 6802	470	290	17000	20000	0.01
17	26	5	IDC 6803	630	385	15000	17000	0.02
20	32	7	IDC 6804	900	560	13000	15000	0.04
25	37	7	IDC 6805	1010	710	11000	13000	0.05
30	42	7	IDC 6806	1060	820	9000	11000	0.06
35	47	7	IDC 6807	1100	920	8000	10000	0.06
40	52	7	IDC 6808	1140	980	7000	9500	0.07

Also available with snap ring (NR suffix)

IDC SELECT® BEARINGS

DEEP GROOVE BALL BEARINGS

R SERIES - INCH



Bore in d	OD in D	Width (ZZ or 2RS) in W	Width (Open) in W	Part No.	Basic Load Rating Pounds		Speed Rating		Weight (lb)
					Dynamic	Static	Grease RPM	Oil RPM	
0.1250	0.3750	0.1562	0.1562	IDC R2	144	50	49000	55000	0.003
0.1250	0.5000	0.1719	0.1719	IDC R2A	254	90	31000	5100	0.004
0.1875	0.5000	0.1960	0.1562	IDC R3	295	110	41000	48000	0.005
0.2500	0.6250	0.1960	0.1960	IDC R4	335	139	44000	54000	0.010
0.2500	0.7500	0.2812	0.2188	IDC R4A	525	200	39000	48000	0.017
0.3750	0.8750	0.2812	0.2188	IDC R6	745	315	31000	38000	0.024
0.5000	1.1250	0.3125	0.2500	IDC R8	1148	535	24000	29000	0.039
0.6250	1.3750	0.3438	0.2812	IDC R10	1347	734	18000	22000	0.081
0.7500	1.6250	0.4375	0.3125	IDC R12	1770	1020	16000	19000	0.100
0.8750	1.8750	0.5000	0.3750	IDC R14	2270	1220	14000	17000	0.160
1.0000	2.0000	0.5000	0.3750	IDC R16	2261	1350	13000	16000	0.190
1.1250	2.1250	0.5000	0.3750	IDC R18	2810	1690	12000	14000	0.270
1.2500	2.2500	0.5000	0.3750	IDC R20	3150	2090	11000	13000	0.300
1.3750	2.5000	0.5625	0.4375	IDC R22	3480	2380	10000	12000	0.460
1.5000	2.6250	0.5625	0.4375	IDC R24	3780	2650	9000	11000	0.510

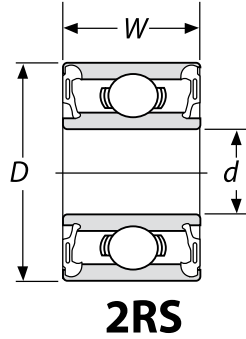
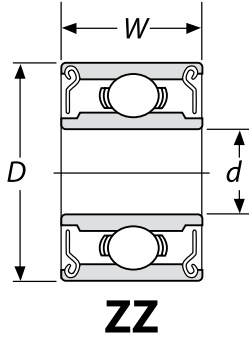
Width of open bearing is narrower. Some sizes available with snap ring (NR suffix). Also available open (without shields or seals).

DEEP GROOVE BALL BEARINGS

IDC SELECT® BEARINGS

DEEP GROOVE BALL BEARINGS

1600 SERIES - INCH



DEEP GROOVE BALL BEARINGS

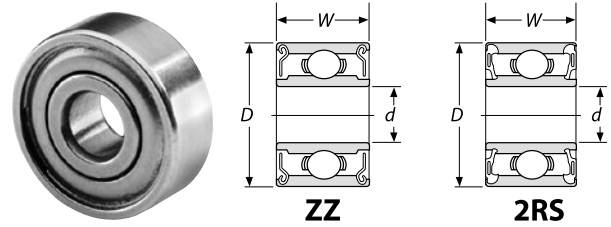
Bore in d	OD in D	Width (ZZ or Open) in W	Width (2RS) in W	Part No.	Basic Load Rating Pounds		Weight (lb)
					Dynamic	Static	
0.1875	0.6875	0.2500	0.3125	IDC 1601	491	194	0.015
0.2500	0.6875	0.2500	0.3125	IDC 1602	491	194	0.013
0.3125	0.8750	0.2812	0.3438	IDC 1603	747	317	0.024
0.3750	0.8750	0.2812	0.3438	IDC 1604	747	317	0.035
0.3125	0.9062	0.3125	0.3125	IDC 1605	935	390	0.026
0.3750	0.9062	0.3125	0.3125	IDC 1606	935	390	0.030
0.4375	0.9062	0.3125	0.3125	IDC 1607	935	390	0.035
0.3750	1.1250	0.3750	0.3750	IDC 1614	1047	465	0.077
0.4375	1.1250	0.3750	0.3750	IDC 1615	1047	465	0.071
0.5000	1.1250	0.3750	0.3750	IDC 1616	1047	465	0.066
0.4375	1.3750	0.4375	0.4375	IDC 1620	1525	747	0.110
0.5000	1.3750	0.4375	0.4375	IDC 1621	1525	747	0.106
0.5625	1.3750	0.4375	0.4375	IDC 1622	1525	747	0.101
0.6250	1.3750	0.4375	0.4375	IDC 1623	1525	747	0.088
0.6250	1.6250	0.5000	0.5000	IDC 1628	2109	1150	0.159
0.7500	1.6250	0.5000	0.5000	IDC 1630	2109	1150	0.143
0.6250	1.7500	0.5000	0.5000	IDC 1633	2109	1150	0.203
0.7500	1.7500	0.5000	0.5000	IDC 1635	2109	1150	0.187
0.7500	2.0000	0.5625	0.5625	IDC 1638	3150	1785	0.265
0.8750	2.0000	0.5625	0.5625	IDC 1640	3150	1785	0.247
1.0000	2.0000	0.5625	0.5625	IDC 1641	3150	1785	0.221
1.1250	2.5000	0.6250	0.6250	IDC 1652	2880	1890	0.463
1.2500	2.5000	0.6250	0.6250	IDC 1654	2880	1890	0.419
1.2500	2.5625	0.6875	0.6875	IDC 1657	3369	2251	0.474
1.3125	2.5625	0.6875	0.6875	IDC 1658	3369	2251	0.441

Some sizes available with snap ring (NR suffix).

IDC SELECT® BEARINGS

DEEP GROOVE BALL BEARINGS

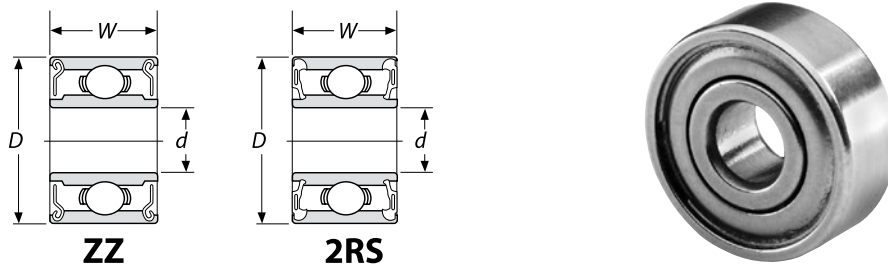
440C STAINLESS - METRIC 6000, 6200, 6300 SERIES



Bore mm d	OD mm D	Width mm W	Part No.	Basic Load Rating Pounds		Speed Rating		Weight (lb)
				Dynamic	Static	Grease RPM	Oil RPM	
8	22	7	IDC SS608	740	310	34000	40000	0.030
10	26	8	IDC SS6000	1030	440	29000	34000	0.042
10	30	9	IDC SS6200	1150	540	18000	30000	0.070
12	28	8	IDC SS6001	1150	540	26000	30000	0.050
12	32	10	IDC SS6201	1530	690	22000	26000	0.060
15	32	9	IDC SS6002	1260	640	15000	28000	0.070
15	35	11	IDC SS6202	1740	805	19000	23000	0.100
17	35	10	IDC SS6003	1350	730	13000	26000	0.090
17	40	12	IDC SS6203	2150	1080	12000	20000	0.150
20	42	12	IDC SS6004	2110	1140	18000	21000	0.150
20	47	14	IDC SS6204	2880	1490	11000	20000	0.240
25	47	12	IDC SS6005	2260	1320	15000	18000	0.180
25	52	15	IDC SS6205	3150	1770	9000	15000	0.280
30	55	13	IDC SS6006	2970	1860	13000	15000	0.260
30	62	16	IDC SS6206	4390	2540	11000	13000	0.440
35	62	14	IDC SS6007	3600	2310	12000	14000	0.340
35	72	17	IDC SS6207	5800	3400	9800	11000	0.630
40	68	15	IDC SS6008	3750	2590	10000	12000	0.420

Cages and shields are constructed of 304 stainless. Larger sizes available upon request.

440C STAINLESS "R" SERIES - INCH

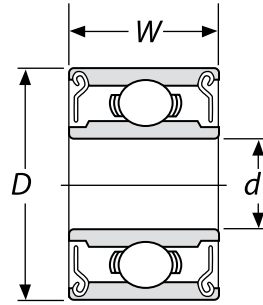


Bore in d	OD in D	Width (ZZ or 2RS) in W	Width (Open) in W	Part No.	Basic Load Rating Pounds		Speed Rating		Weight (lb)
					Dynamic	Static	Grease RPM	Oil RPM	
0.1250	0.375	0.1562	0.1562	IDC SSR2	144	50	49000	58000	0.003
0.1250	0.500	0.1719	0.1719	IDC SSR2A	254	90	31000	51000	0.004
0.1875	0.500	0.1960	0.1562	IDC SSR3	295	110	41000	48000	0.005
0.2500	0.625	0.1960	0.1960	IDC SSR4	335	139	44000	54000	0.010
0.2500	0.750	0.2812	0.2188	IDC SSR4A	525	200	39000	48000	0.017
0.3750	0.875	0.2812	0.2188	IDC SSR6	745	315	31000	38000	0.024
0.5000	1.125	0.3125	0.2500	IDC SSR8	1148	535	24000	29000	0.039
0.6250	1.375	0.3438	0.2812	IDC SSR10	1347	734	18000	22000	0.081

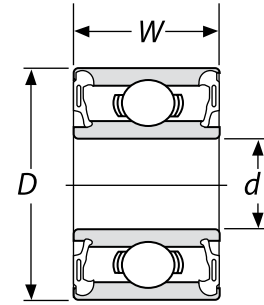
IDC SELECT® BEARINGS

DEEP GROOVE BALL BEARINGS

SPECIALS



ZZ



2RS

Bore in d	OD in D	Width in W	Part No.	Special Features
0.315	0.866	.236	IDC X117	Special size bearing, open, light oil
0.3937	1.023	.3937	IDC W60002RS	6000 2RS bearing wider than standard
0.500	1.375	.500	IDC LG 1/2	Precision bearing replaces unground flanged bearings on lawn equipment
0.500	1.260	.394	IDC 6201x1/2	6201 bearing with .500 bore
0.500	1.378	.433	IDC 6202x1/2	6202 bearing with .500 bore
0.625	1.375	.500	IDC LG 5/8	Precision bearing replaces unground flanged bearings on lawn equipment
0.625	1.375	.433	IDC 99502H	6202 2RS bearing with .625 bore, 1.375 O.D.
0.625	1.375	.433	IDC 499502H	6202 2RS bearing with .625 bore, 1.375 O.D., snap ring
0.625	1.378	.433	IDC 6202x5/8	6202 bearing with .625 bore
0.625	1.575	.472	IDC 6203x5/8	6203 bearing with .625 bore
0.640	1.5748	.720	IDC 203KRR2	Agricultural bearing with trash seal
0.750	1.575	.472	IDC 6203x3/4	6203 bearing with .750 bore
0.750	1.7805	.610	IDC Z9504B	Special bearing with .610 width, 2 full contact seals
0.750	1.850	.551	IDC 6204x3/4	6204 bearing with .750 bore
0.750	1.625	.562	IDC LG 3/4	Precision bearing replaces unground flanged bearings on lawn equipment
0.750	2.047	.8267	IDC 559339x3/4	Motorcycle wheel bearing
0.875	1.850	.551	IDC 6204x7/8	6204 bearing with .875 bore
1.000	2.047	.591	IDC 6205x1	6205 bearing with 1.00 bore
1.000	2.000	.625	IDC LG 1	Precision bearing replaces unground flanged bearings on lawn equipment
1.000	2.047	.8267	IDC 559339x1	Motorcycle wheel bearing
1.1810	2.165	.9050	IDC A3917	30mm bore double row bearing
1.250	2.835	.748	IDC 6306x1-1/4	6306 bearing with 1.250 bore

DEEP GROOVE BALL BEARINGS

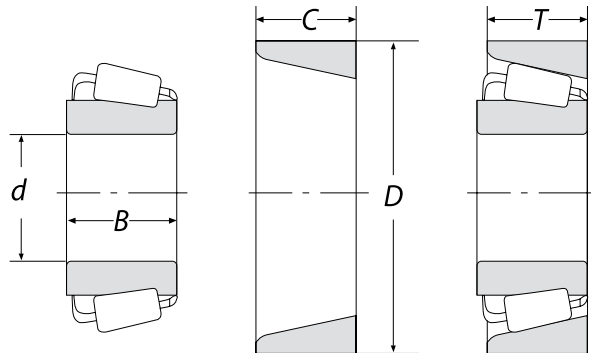
TAPERED ROLLER BEARINGS

IDC Select® tapered roller bearings are available in single row bearings in inch sizes capable of handling large radial loads and axial loads in a single direction. They consist of an outer ring, inner ring and roller assembly (tapered rollers within pressed steel cage). They are constructed from high-quality SAE-52100 chromium bearing steel.



IDC SELECT® BEARINGS

TAPERED ROLLER BEARINGS



Bore inch d	OD inch D	inch B	inch C	inch T	Part No.	Basic Load Rating Pounds		Weight (lb)
						Dynamic	Static	
.6875	1.57	0.57	.42	.54	IDC LM11749/10	5400	5400	0.2
.7500	1.78	0.75	.47	.61	IDC LM11949/10	6400	6400	0.3
.8440	1.97	0.72	.55	.69	IDC M12649/10	8500	8800	0.3
.8700	1.78	0.65	.47	.61	IDC LM12749/10	6700	7600	0.3
.8700	1.81	0.65	.47	.61	IDC LM12749/11	6700	7600	0.3
1.000	1.98	0.58	.42	.56	IDC L44643/10	6500	7600	0.3
1.063	1.98	0.58	.42	.56	IDC L44649/10	6500	7600	0.3
1.140	1.98	0.58	.42	.56	IDC L45449/10	6300	6800	0.2
1.187	2.53	0.84	.66	.84	IDC M86649/10	11600	14500	0.7
1.250	2.33	0.66	.47	.62	IDC LM67048/10	7700	9200	0.4
1.375	2.56	0.72	.55	.71	IDC LM48548/10	10500	12600	0.6
1.380	2.33	0.66	.47	.62	IDC L68149/10	8000	10700	0.4
1.380	2.36	0.66	.47	.62	IDC L68149/11	8000	10700	0.4
1.500	2.48	0.67	.53	.67	IDC JL69349/10	8700	11800	0.4
1.625	2.89	0.72	.55	.77	IDC LM501349/10	12600	15600	0.7
1.750	3.26	1.00	.75	.94	IDC 25580/20	17100	22000	1.2
1.785	2.89	0.78	.62	.77	IDC LM102949/10	12100	17100	0.7
2.000	3.67	1.19	.94	1.2	IDC 3780/3720	23000	30000	1.9

Other sizes available.

DISCLAIMER

This catalog is provided solely to give you the necessary data for your product selection. Product performance is affected by many factors beyond the control of IDC Select®. Therefore, the suitability and feasibility of all products selected must be validated by you for your applications.

Every reasonable effort has been made to ensure the accuracy of the information in this writing, but no liability is accepted for errors, omissions, or for any other reason. Information is subject to change.

WARRANTY INFORMATION

Visit IDCselect.com or contact us at info@IDCselect.com or 1-866-575-2025.



BEARINGS

radial ball, spherical, cylindrical & mounted bearing units

IDC SELECT[®]
www.IDCselect.com